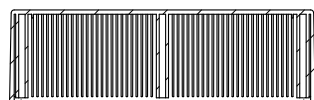


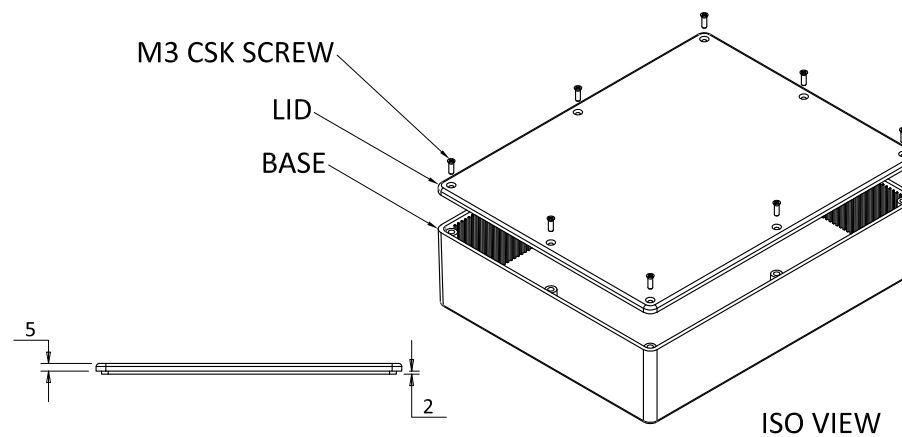
OVERALL ASSEMBLY DIMENSIONS:

EXTERNAL - 250 x 200 x 65

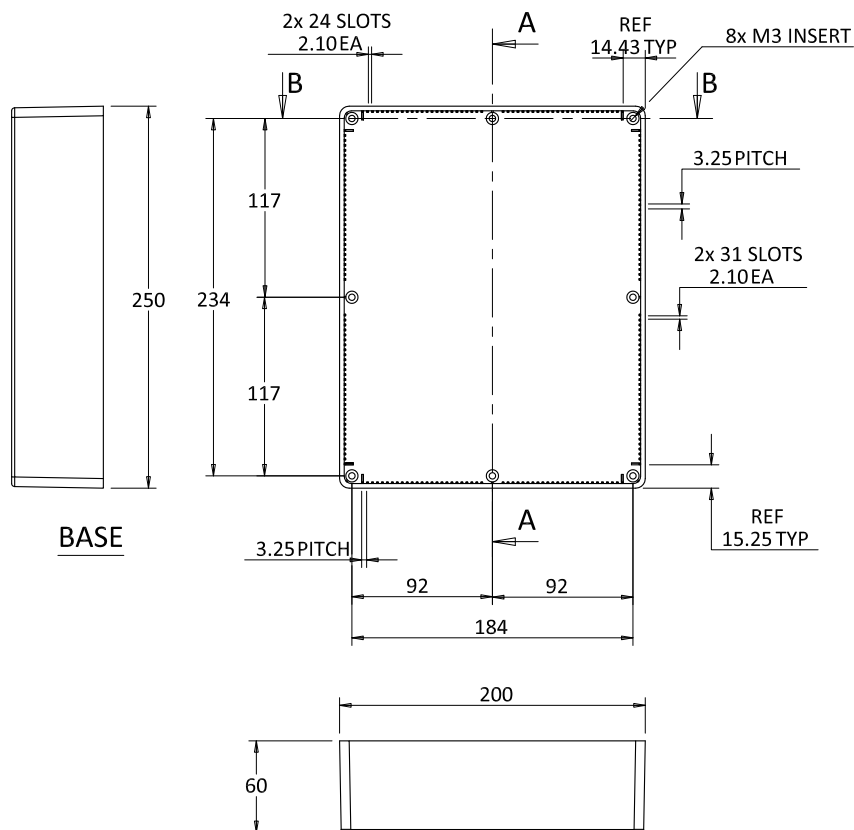
INTERNAL - 244 x 194 x 60.2



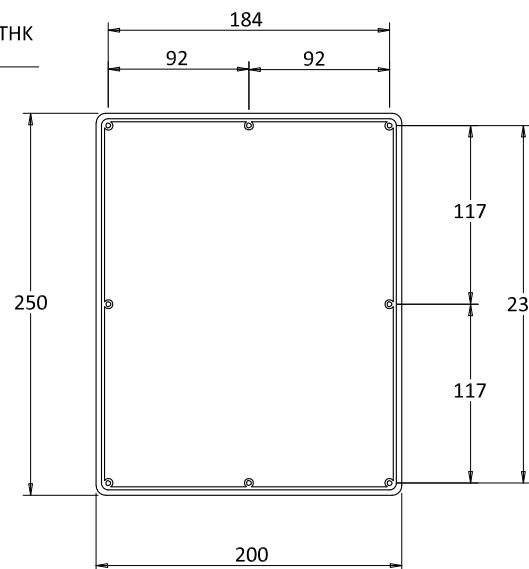
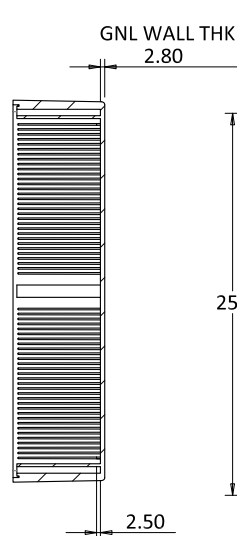
SECTION B-B



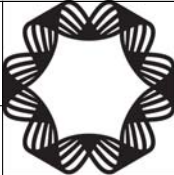
ISO VIEW



SECTION A-A



LID

UNLESS OTHERWISE SPECIFIED: DIMENSIONS ARE IN MILLIMETERS		 <b>RND</b> components	<b>RND 455-00051</b>	<b>A4</b>
COLOUR	GREY			
MATERIAL	ABS	SCALE: 1 : 5		SHEET 1 OF 1
PROJECTION	