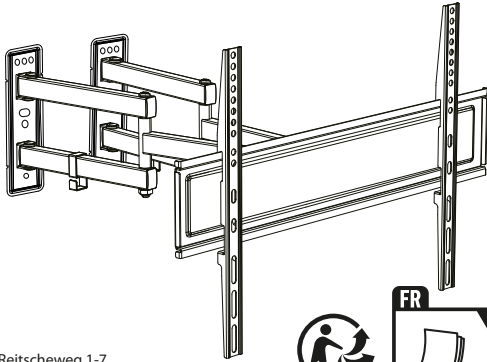


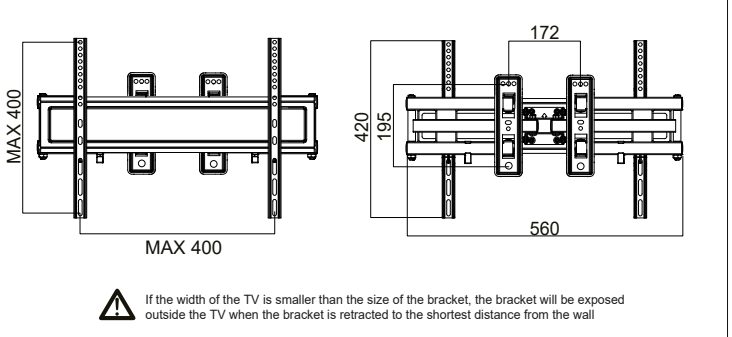
### INSTALLATION INSTRUCTION



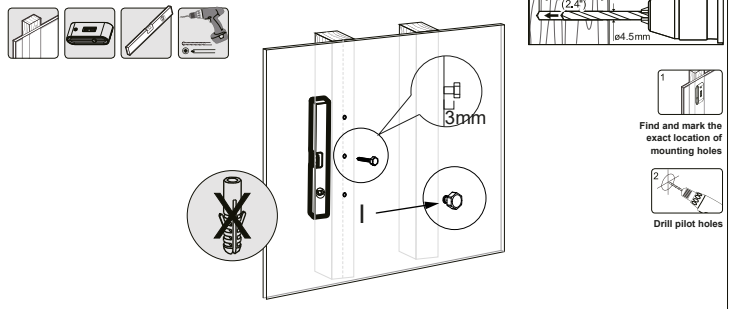
Nedis B.V., Reitscheweg 1-7  
5232 BX 's-Hertogenbosch  
The Netherlands - service@nedis.com



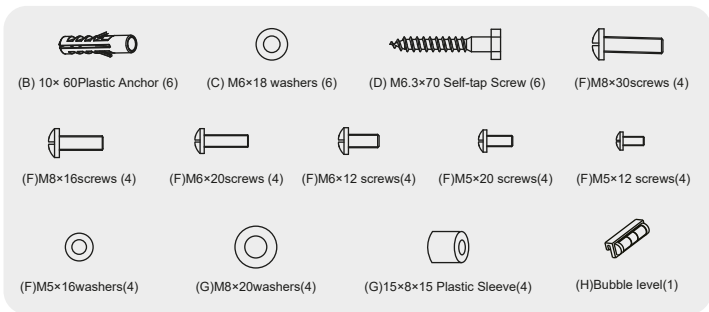
**CAUTION: DO NOT EXCEED MAXIMUM LISTED WEIGHT CAPACITY. SERIOUS INJURY OR PROPERTY DAMAGE MAY OCCUR!**



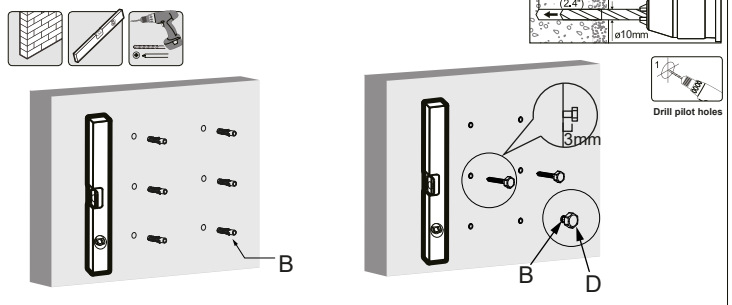
#### 1-a For Wood Stud Wall Mounting



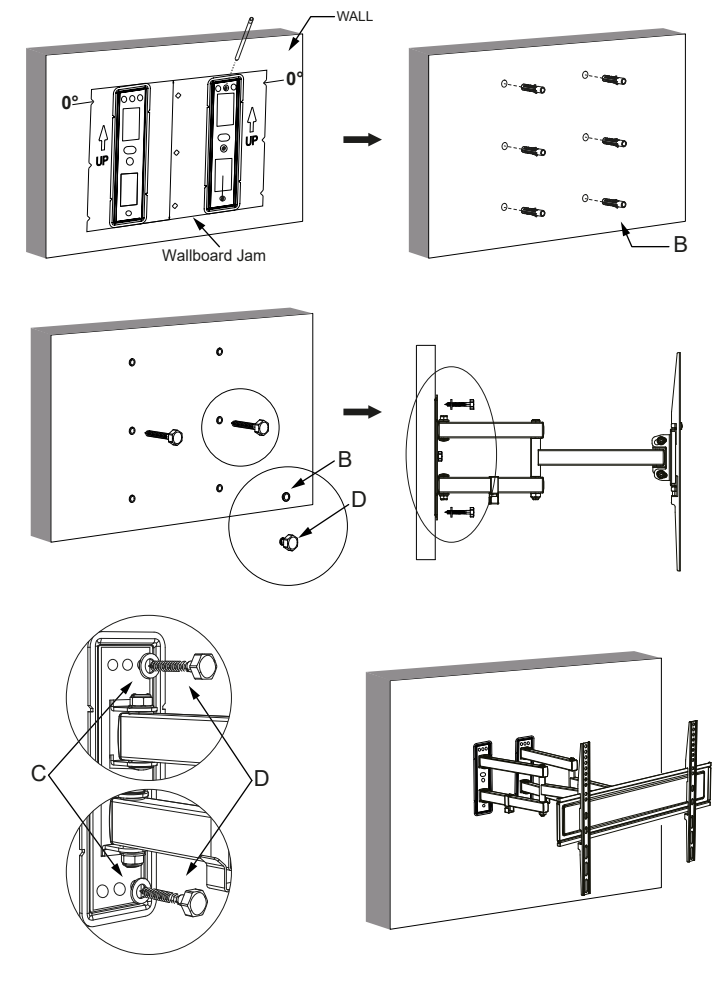
#### Parts List



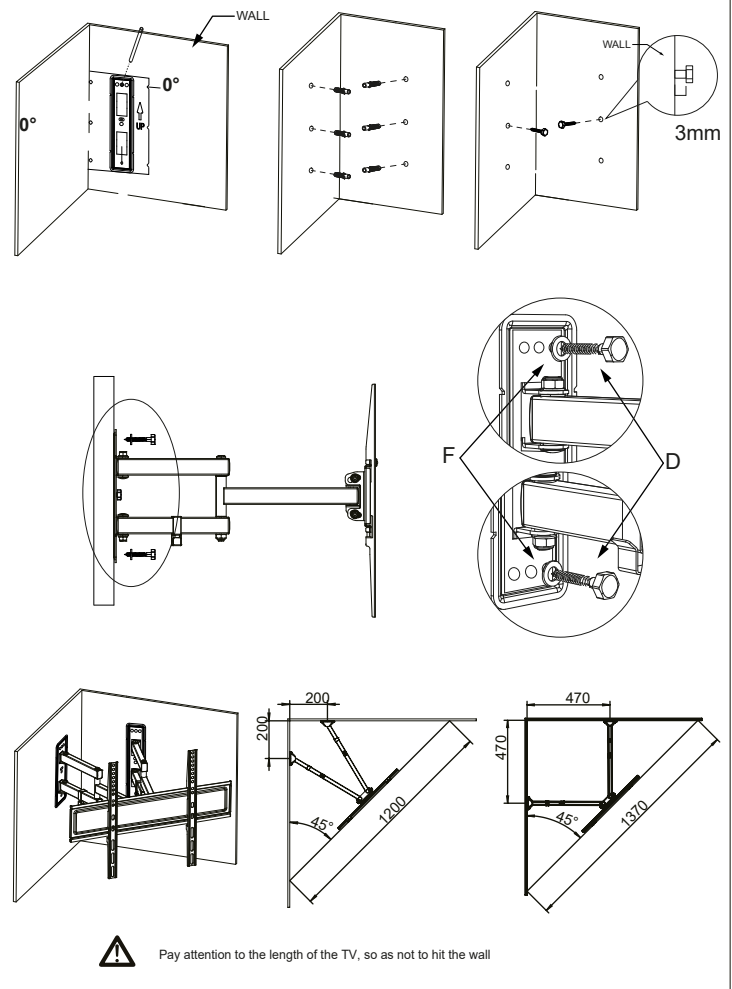
#### 1-b For Solid Brick and Concrete Mounting



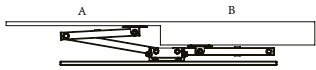
#### 2-a Wall Panel Installation



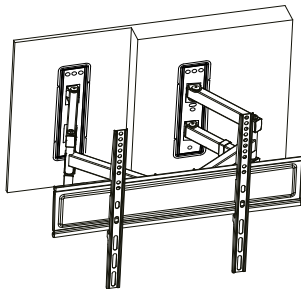
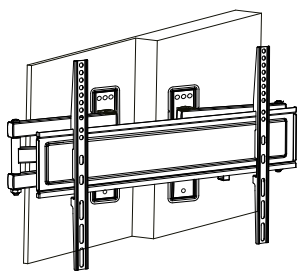
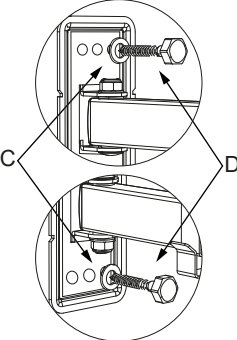
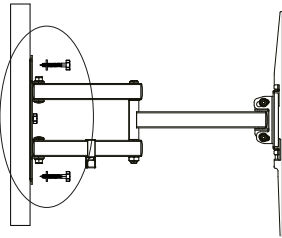
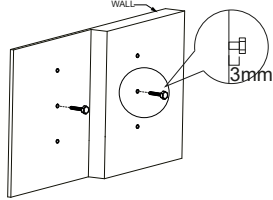
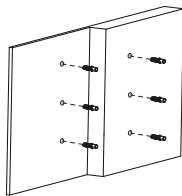
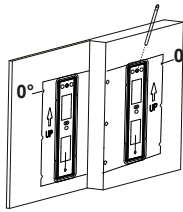
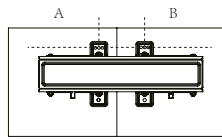
#### 2-b Wall Panel Installation



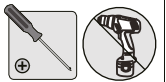
### 2-c Wall Panel Installation



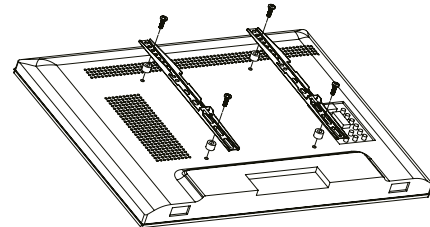
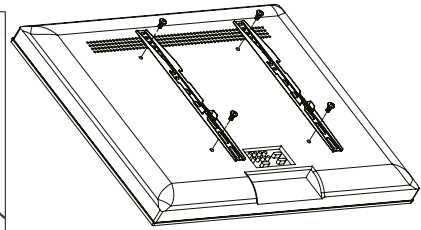
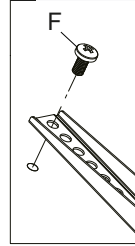
Place the product on the wall to determine the location, and then use the paper card to guide the hole



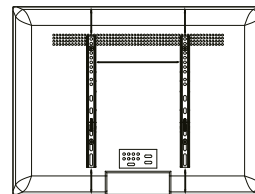
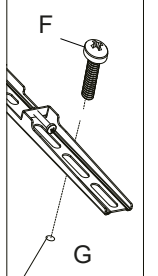
### 3-1 Installing the Display



a No Spacer



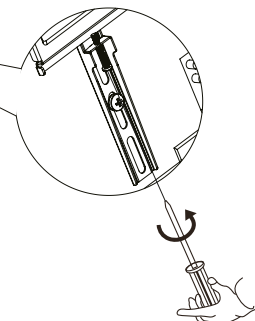
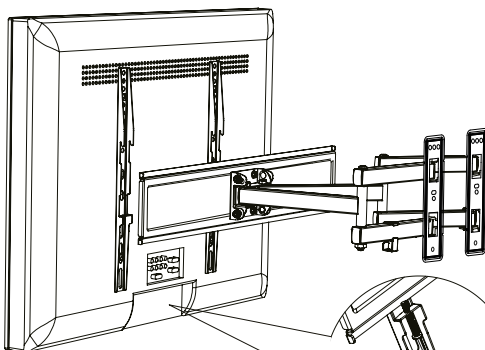
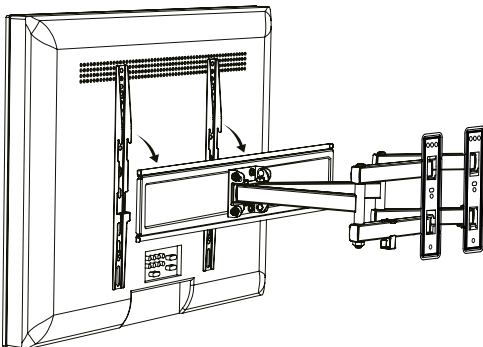
b With Spacer



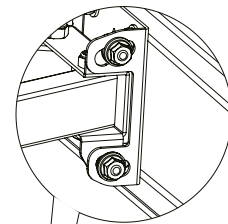
Use spacers between bracket and TV to increase space, use spacer behind the bracket to take up additional slack.

Ensure both tv brackets are EQUALLY CENTERED on your TV AND securely fastened in place.

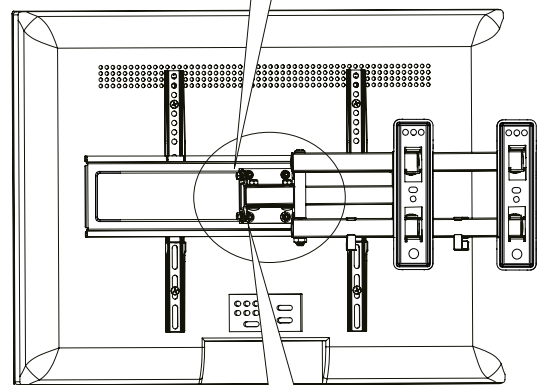
### 3-2 Installing the Display



### 3-3 Installing the Display



+6--12°



LEVEL ±3°

