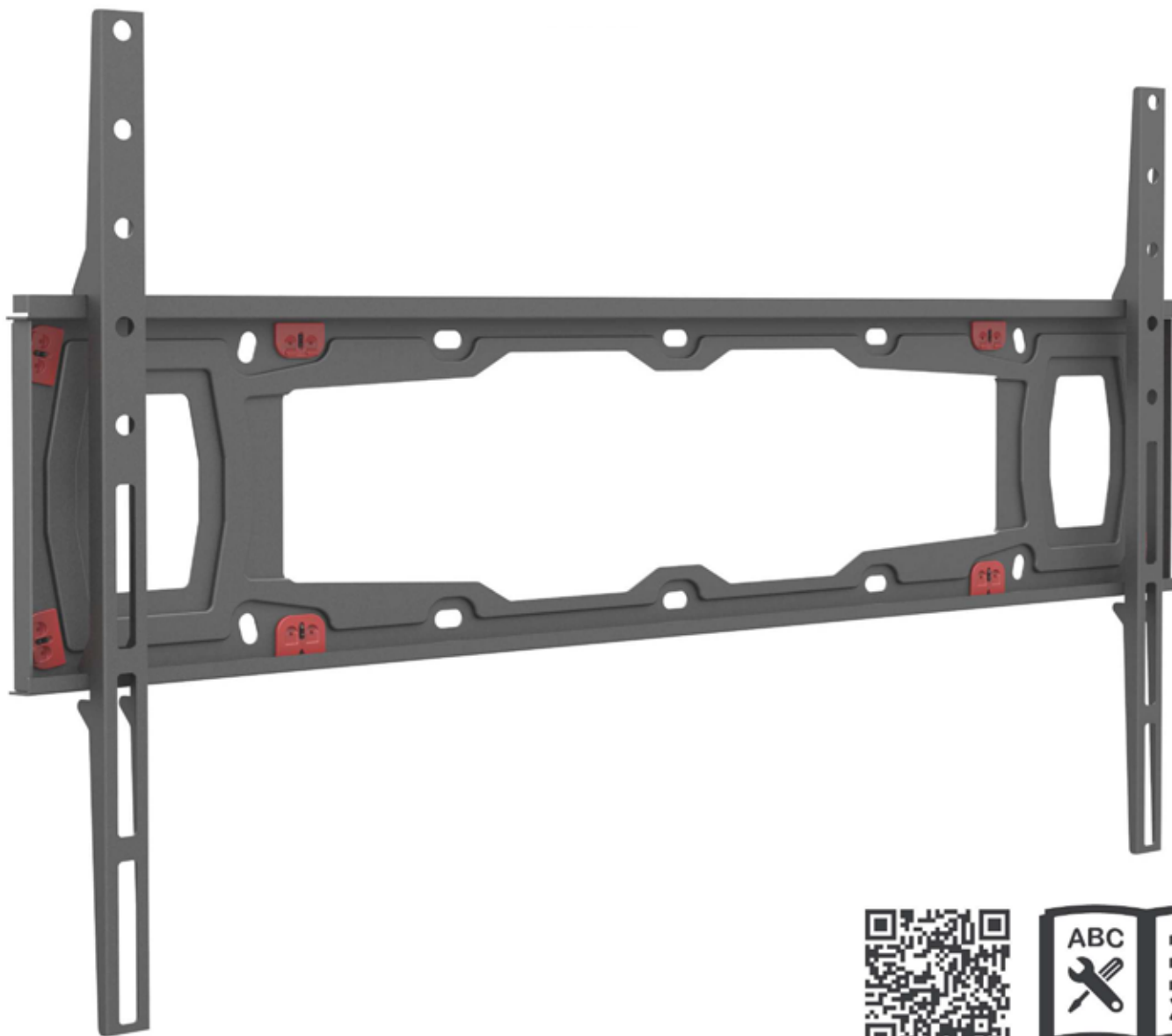


# Fixed TV Mount

suitable for drywall installations



Download assembly instructions with text

For more information: [www.nedis.com](http://www.nedis.com)

**TV Size** ↗  
 29" - 75"  
 ↖ 74 - 91cm

**TV Weight**

US	<b>Max</b>	EU
95lbs		43kg

<input checked="" type="checkbox"/>  Suitable for drywall 0.5"/1.3cm and up	<input type="checkbox"/>  *Additional hardware needed
--	---

<input type="checkbox"/> 	<input type="checkbox"/> 
<input checked="" type="checkbox"/> 	<input checked="" type="checkbox"/> 

**CAUTION** This Mount is intended for use only with the maximum weight indicated. Using heavier products might cause injury.

**A**

x1

**B**

x2

#	M	L "/ mm	=
Z1	M6	0.63"/16	x4
Z2	M6	1" / 25	x4
Z3	M4	0.79"/20	x4
Z5	M8	1" / 25	x4
Z6	M8	1.77"/45	x4

Z4

x8

Z7

x8

Z8

(4 spare) x20

Z9

(1 spare) x5

Z10

x4

Y1

x1

Y2

(spare) x2

Y3

(spare) x3

Y4

(spare) x1

**TOOLS REQUIRED**

**1**

Flat TV

75 - 390mm

75 - 390mm

Curved TV

75 - 390mm

75 - 390mm

Flat TV

Max 600mm

Max 400mm

Curved TV

Max 600mm

Max 400mm

2

1A

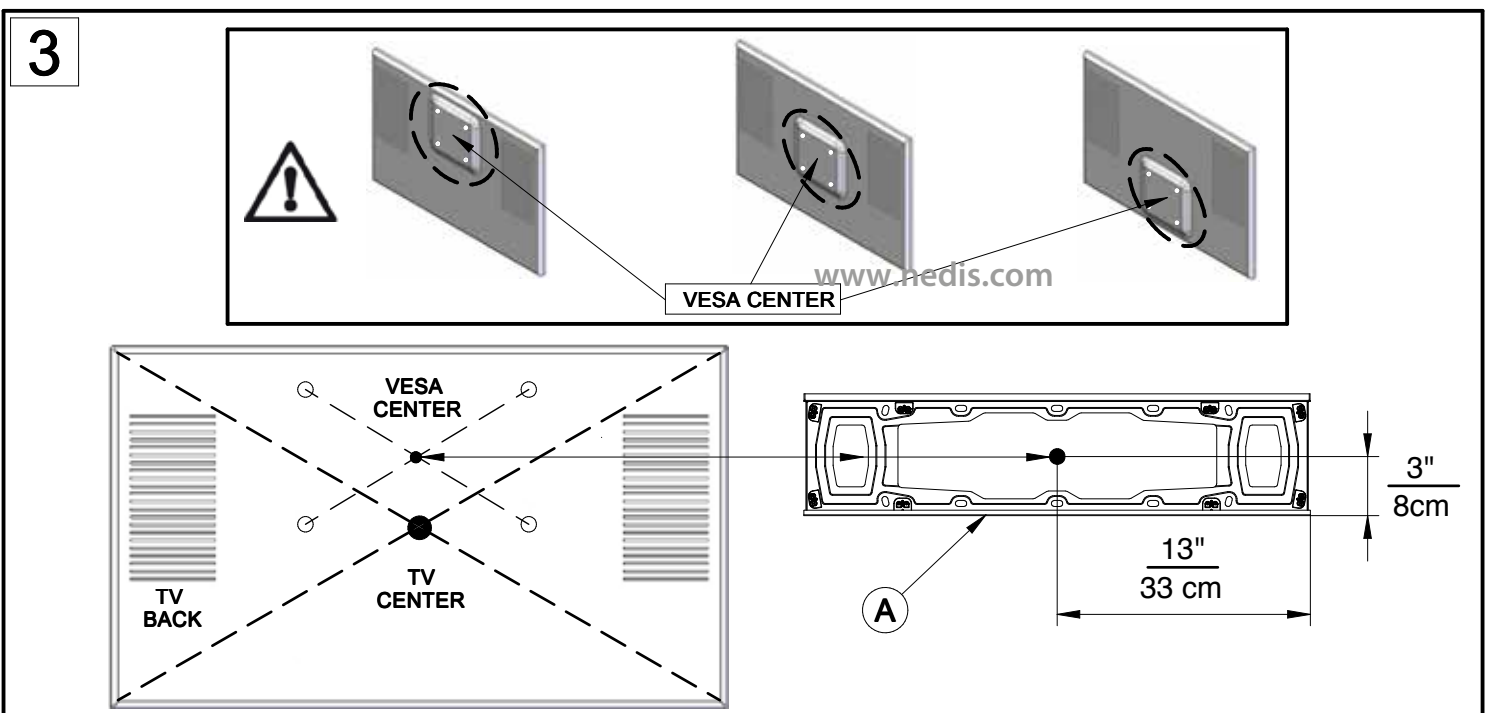
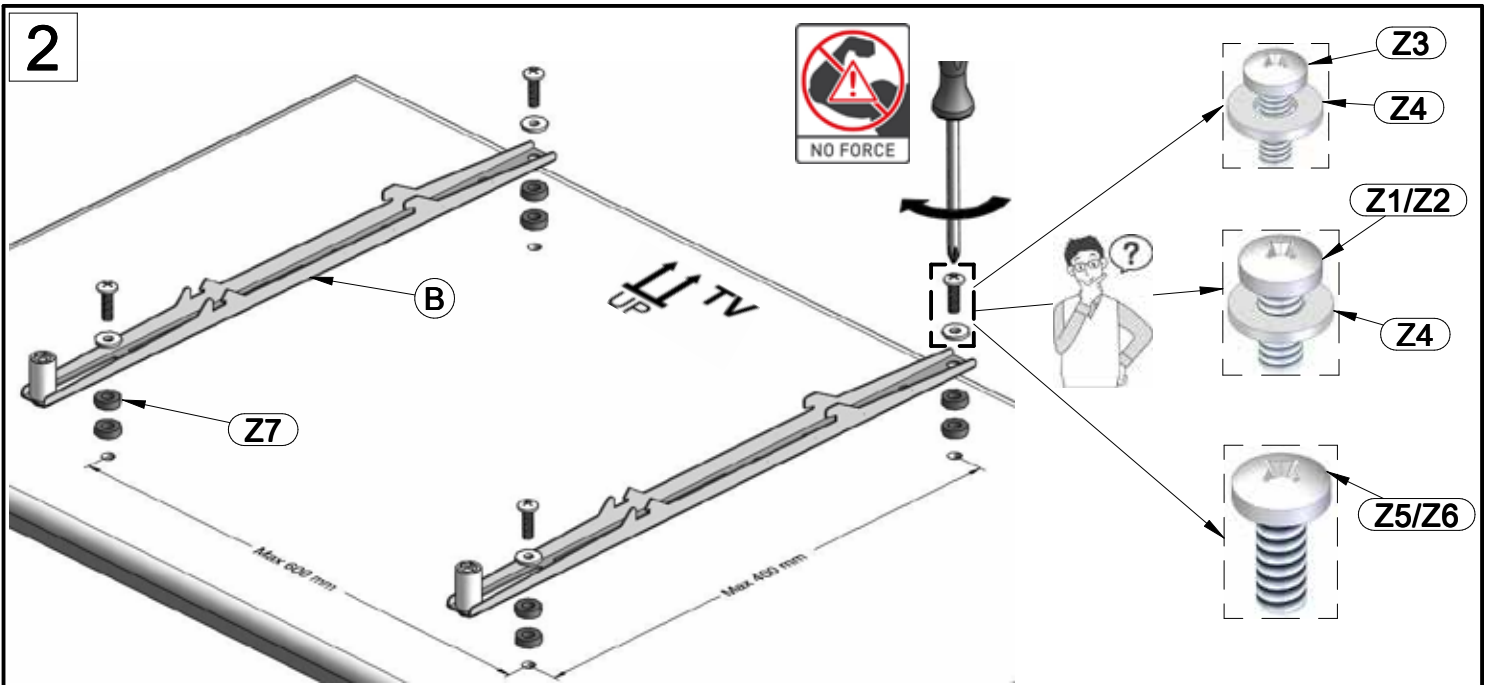
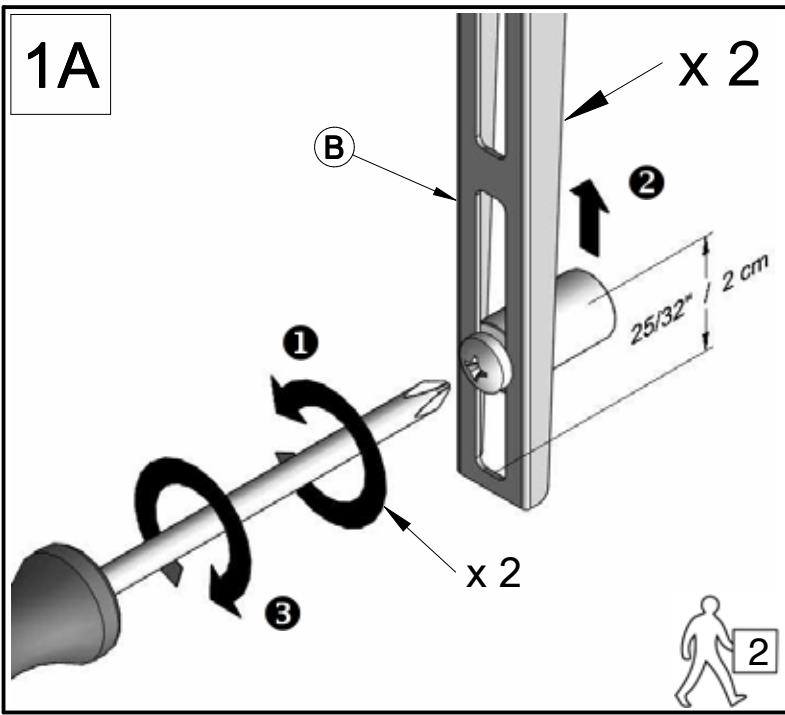
✗ TV

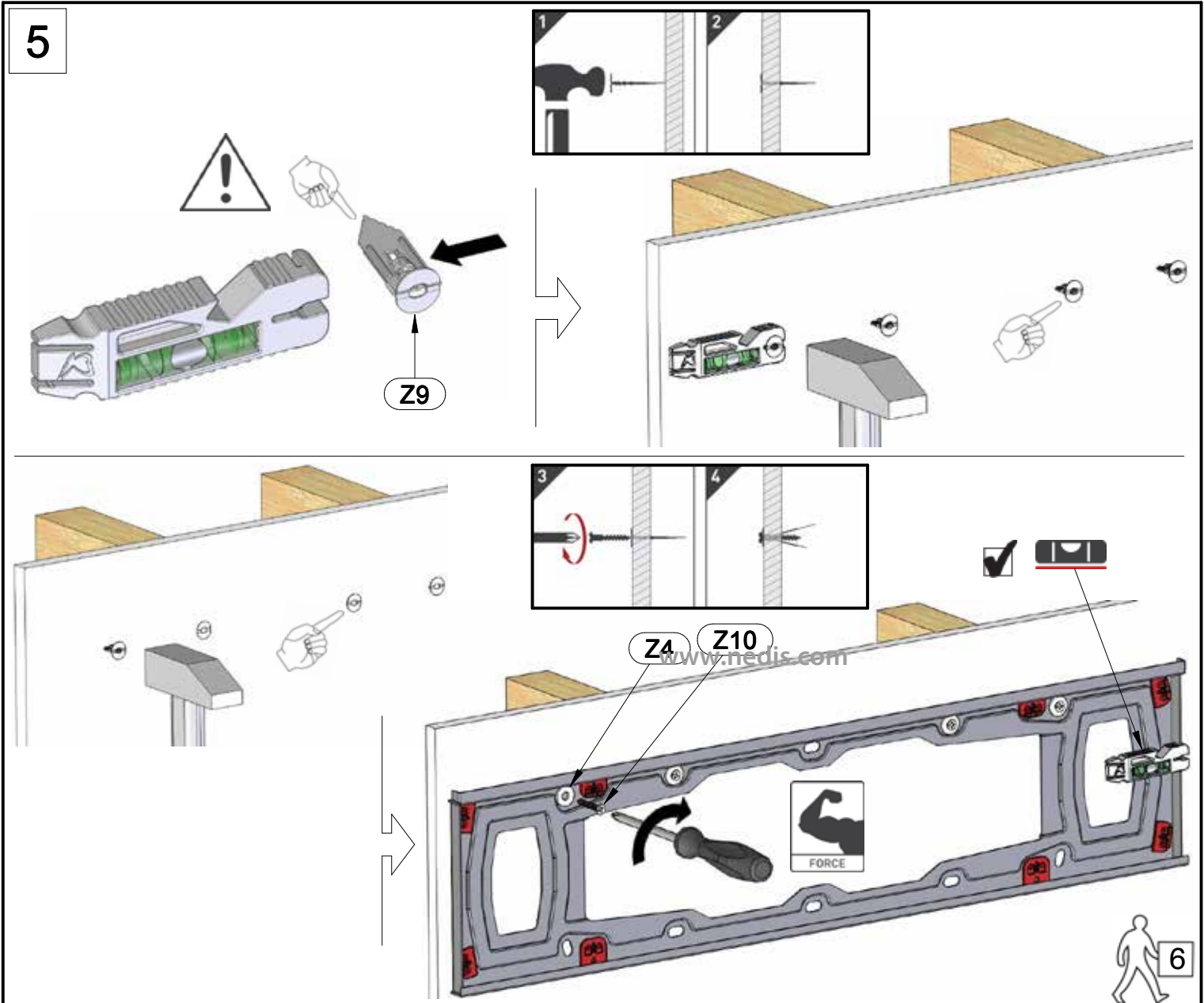
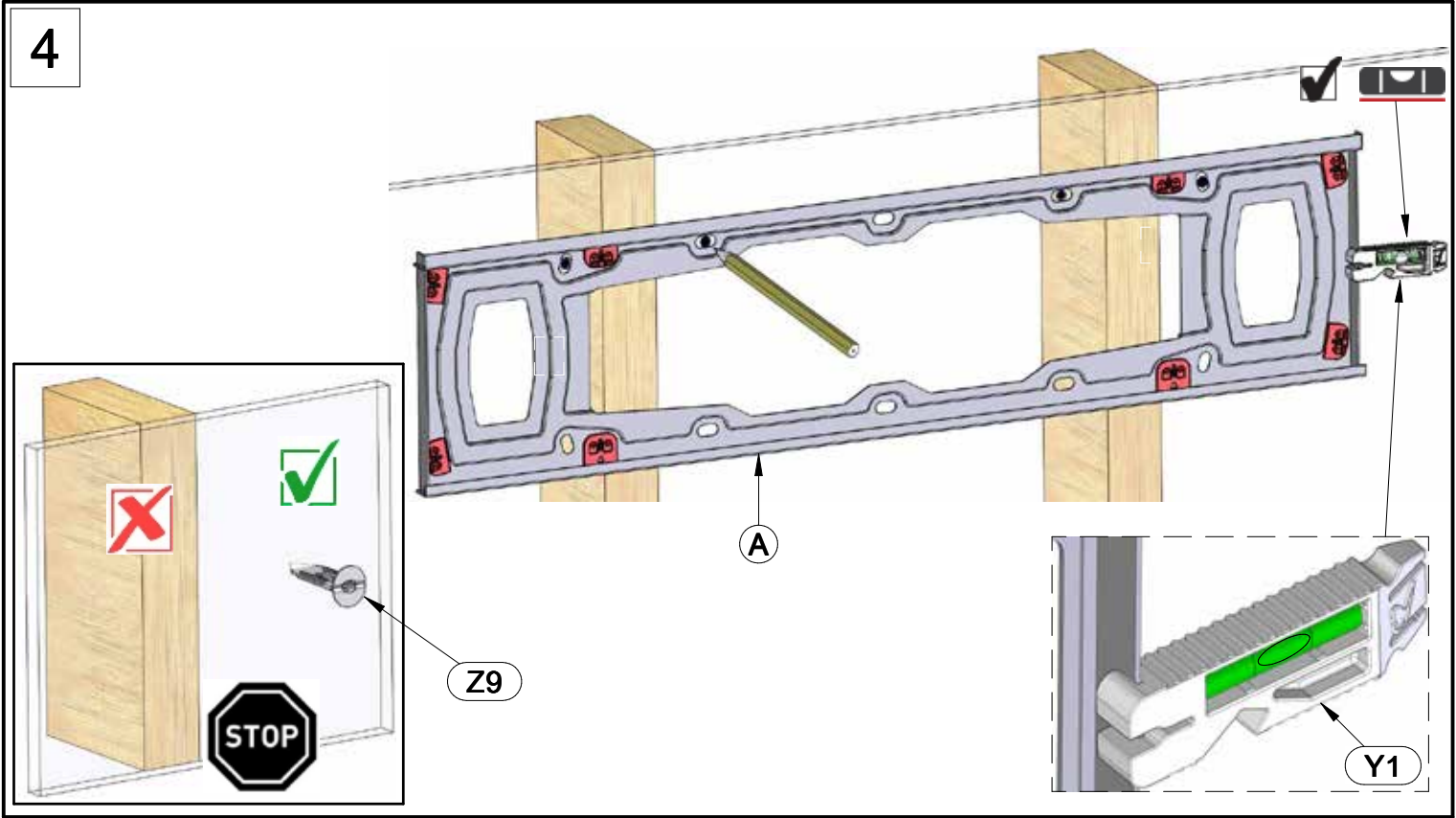
✗ TV

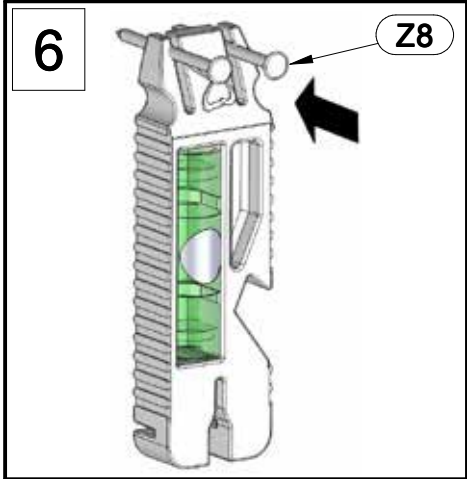
✓ TV

✗ TV

✓ TV

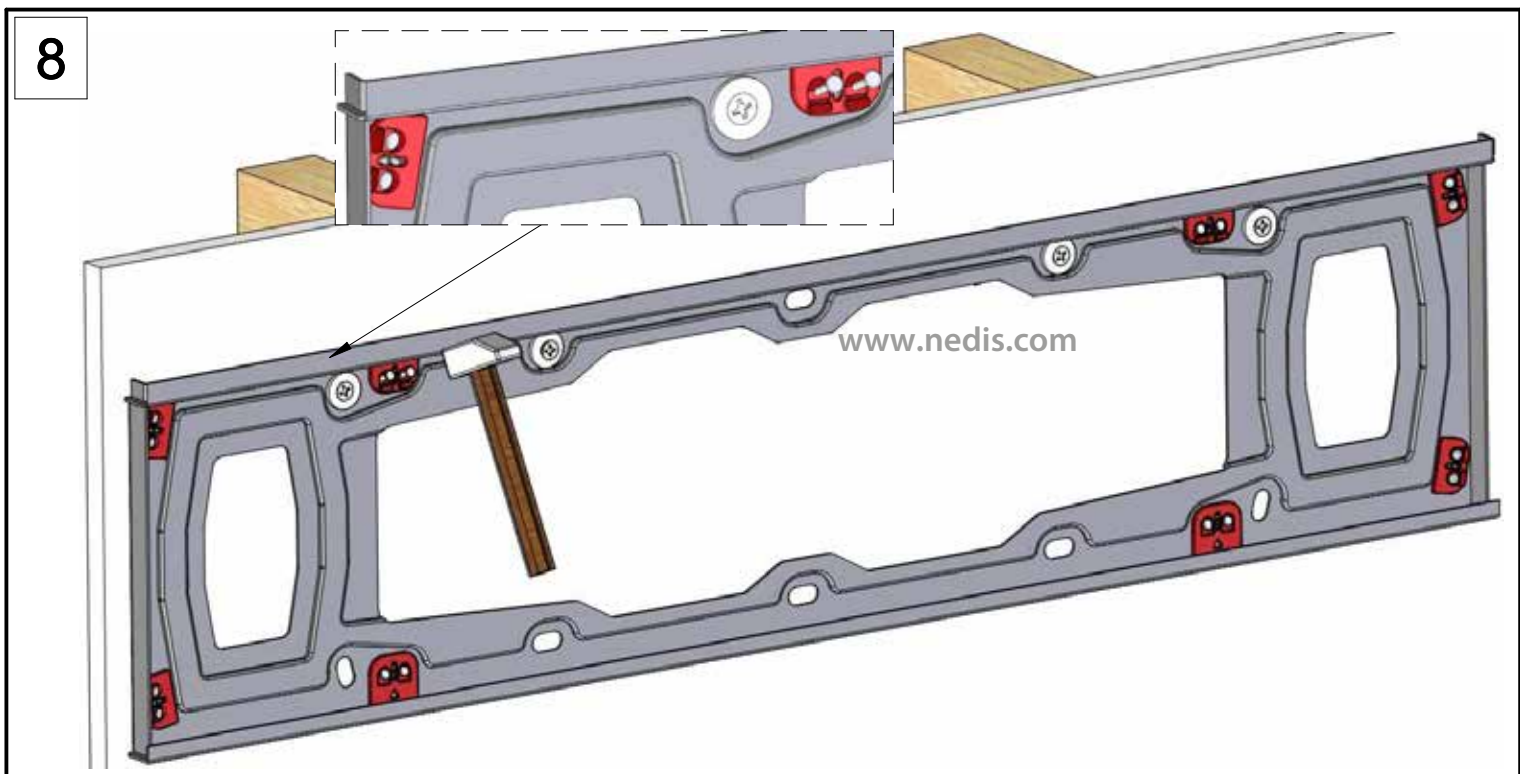
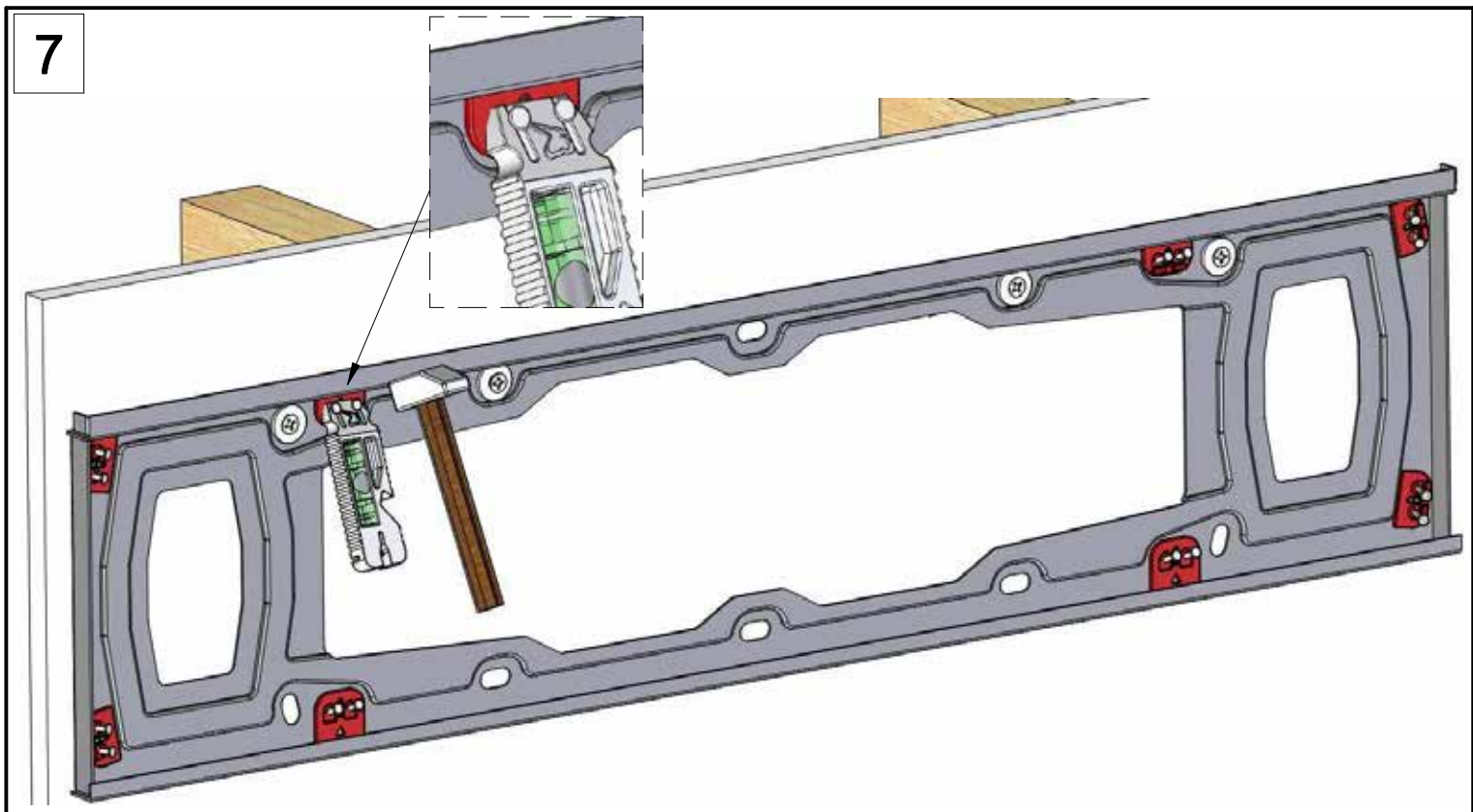






# Fixed TV Mount

suitable for drywall installations



**9** **TEST!**

95lbs / 43kg

**10**

FALL PROOF

TV

CLICK

**11** **TEST!**

NO FORCE

**12**

LATERAL ADJUSTMENT

FINISH

**DISCONNECT**

www.nedis.com