

Download assembly instructions with text

For more information: www.nedis.com

TV Size ↗
23" - 55" ↙

TV Weight

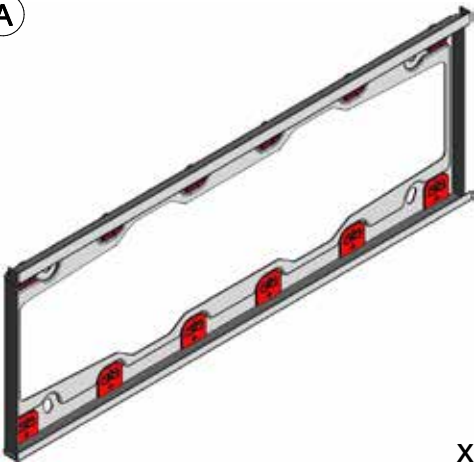
US	Max	EU
77lbs		35kg

<input checked="" type="checkbox"/> Suitable for drywall 0.5"/1.3cm and up	<input type="checkbox"/> *Additional hardware needed
--	---

<input checked="" type="checkbox"/> 	<input checked="" type="checkbox"/>

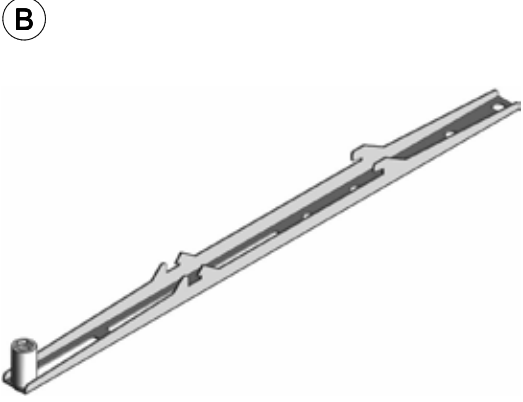
CAUTION This Mount is intended for use only with the maximum weight indicated. Using heavier products might cause injury.

A




x1

B




x2




#	M	L "/ mm	=
Z1	M6	0.63"/16	x4
Z2	M6	1" / 25	x4
Z3	M4	0.79"/20	x4
Z5	M8	1" / 25	x4
Z6	M8	1.77"/45	x4

Z4



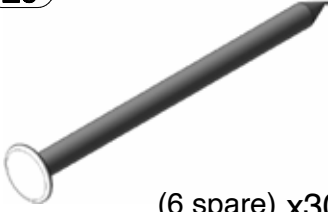
x6

Z7



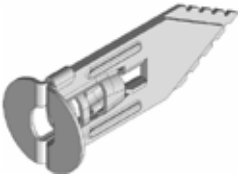
x8

Z8




(6 spare) x30

Z9



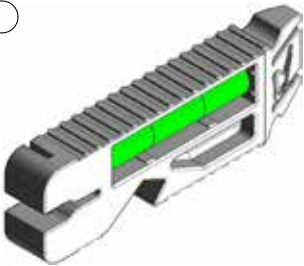
(1 spare) x3

Z10




x2

Y1




x1

Y2




(spare) x2

Y3




(spare) x4

Y4



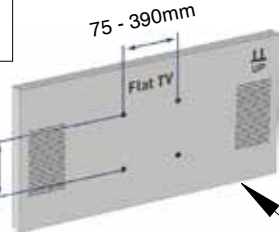
(spare) x2

TOOLS REQUIRED



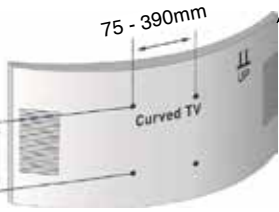
No.2+3

1




75 - 390mm

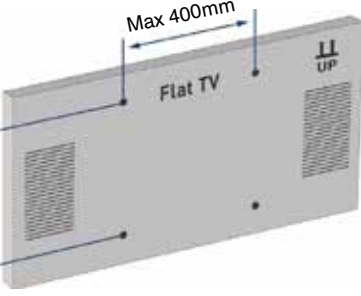
Flat TV



75 - 390mm

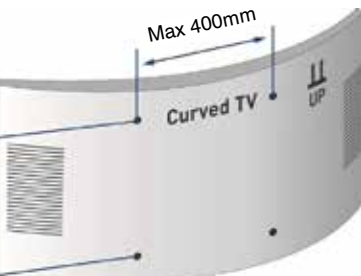
Curved TV





Max 400mm


Flat TV




Max 400mm

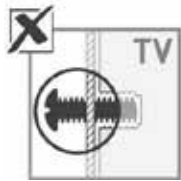
Curved TV

2

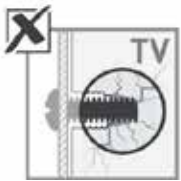


1A

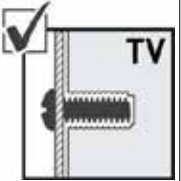




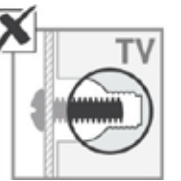
✗ TV



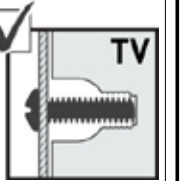
✗ TV



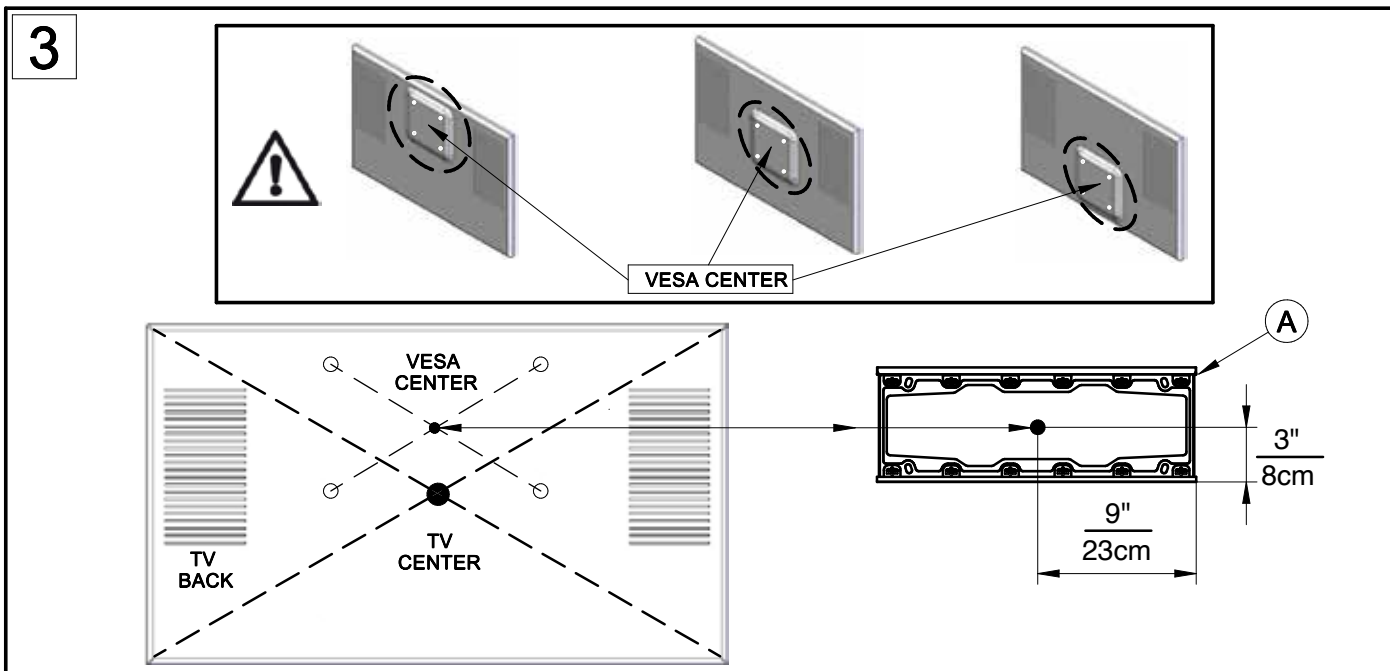
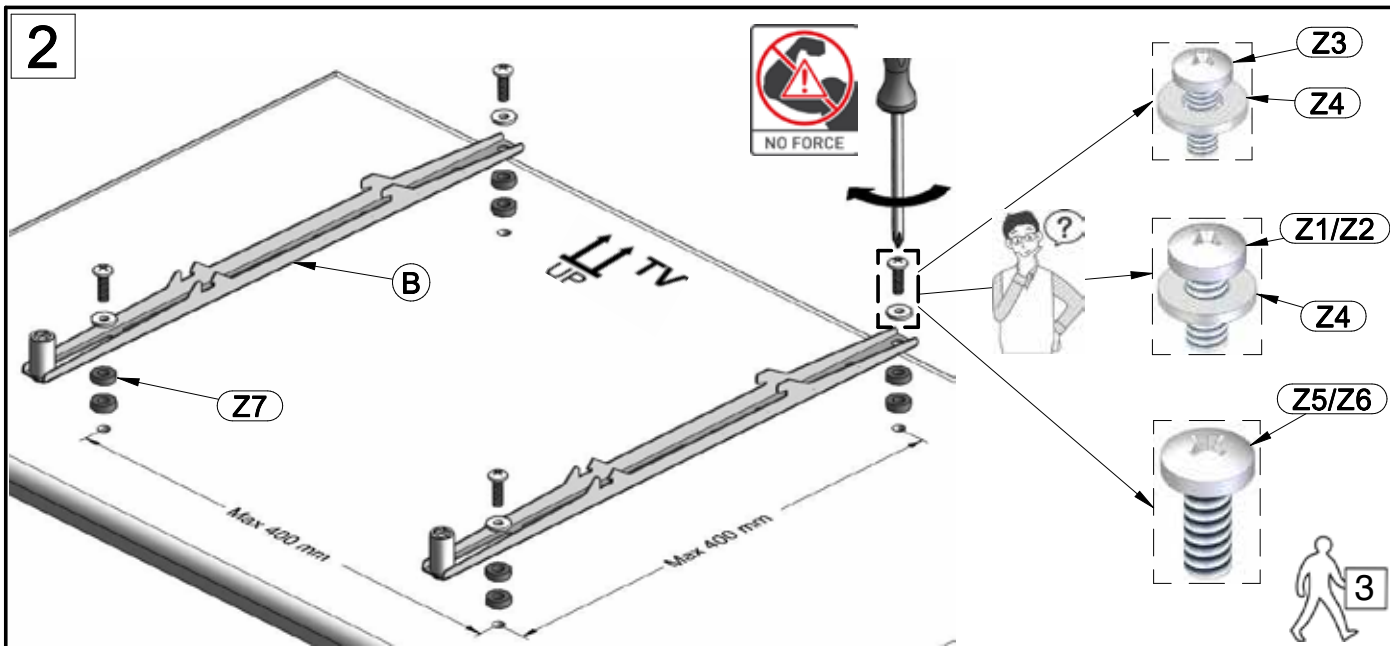
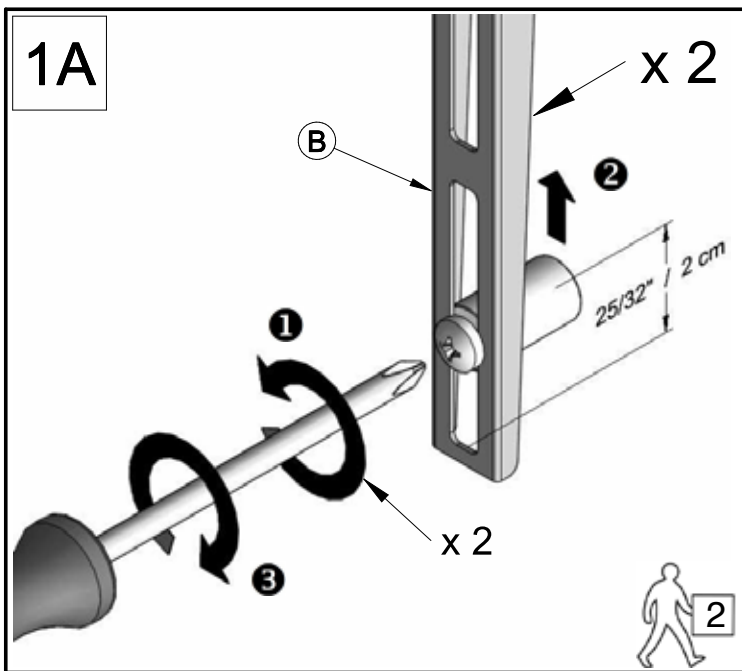
✓ TV

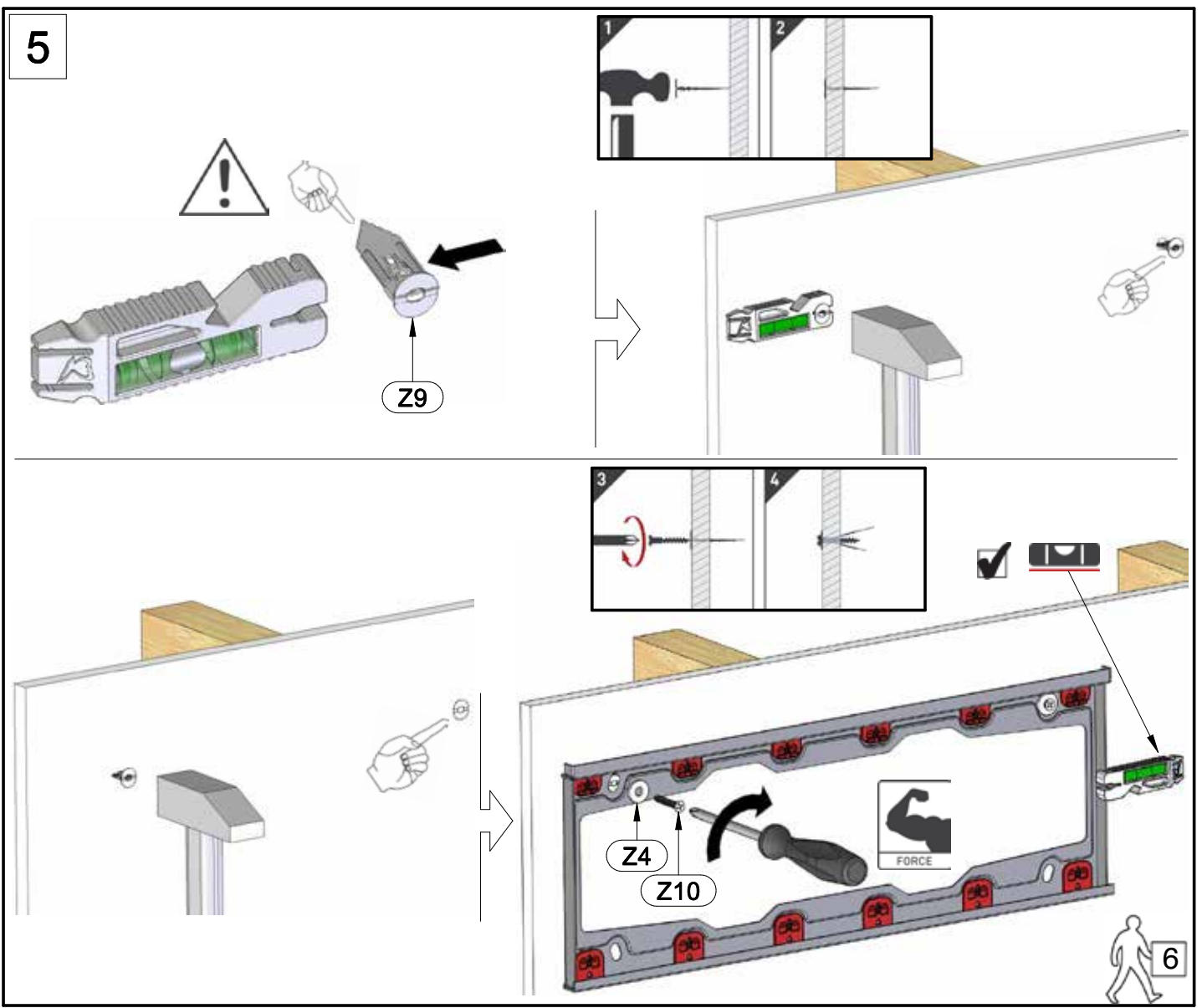
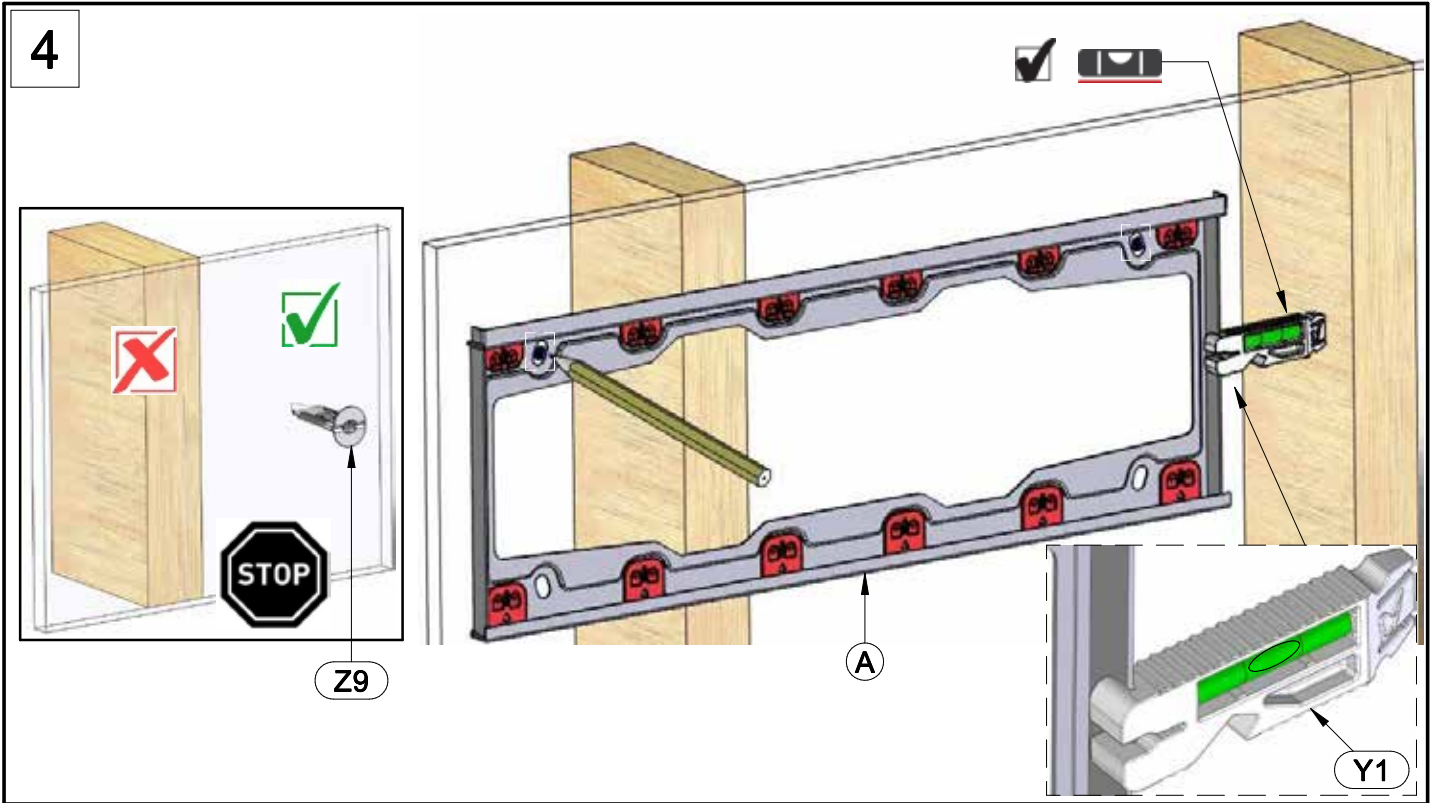


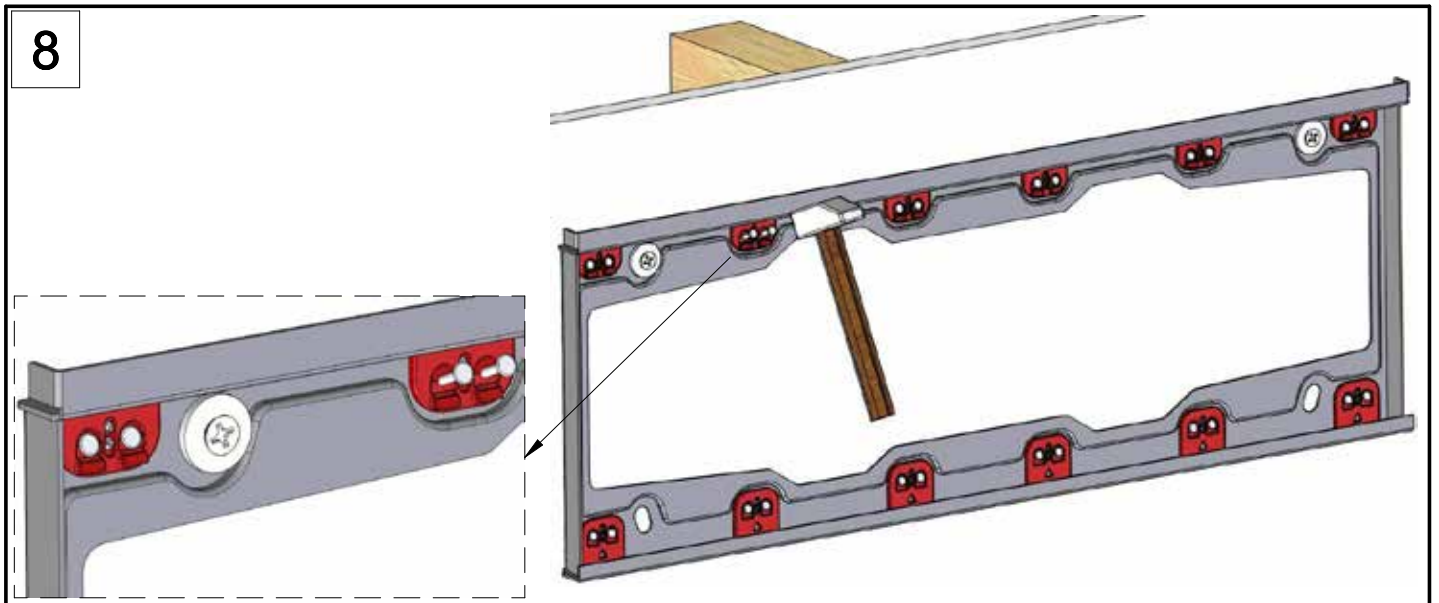
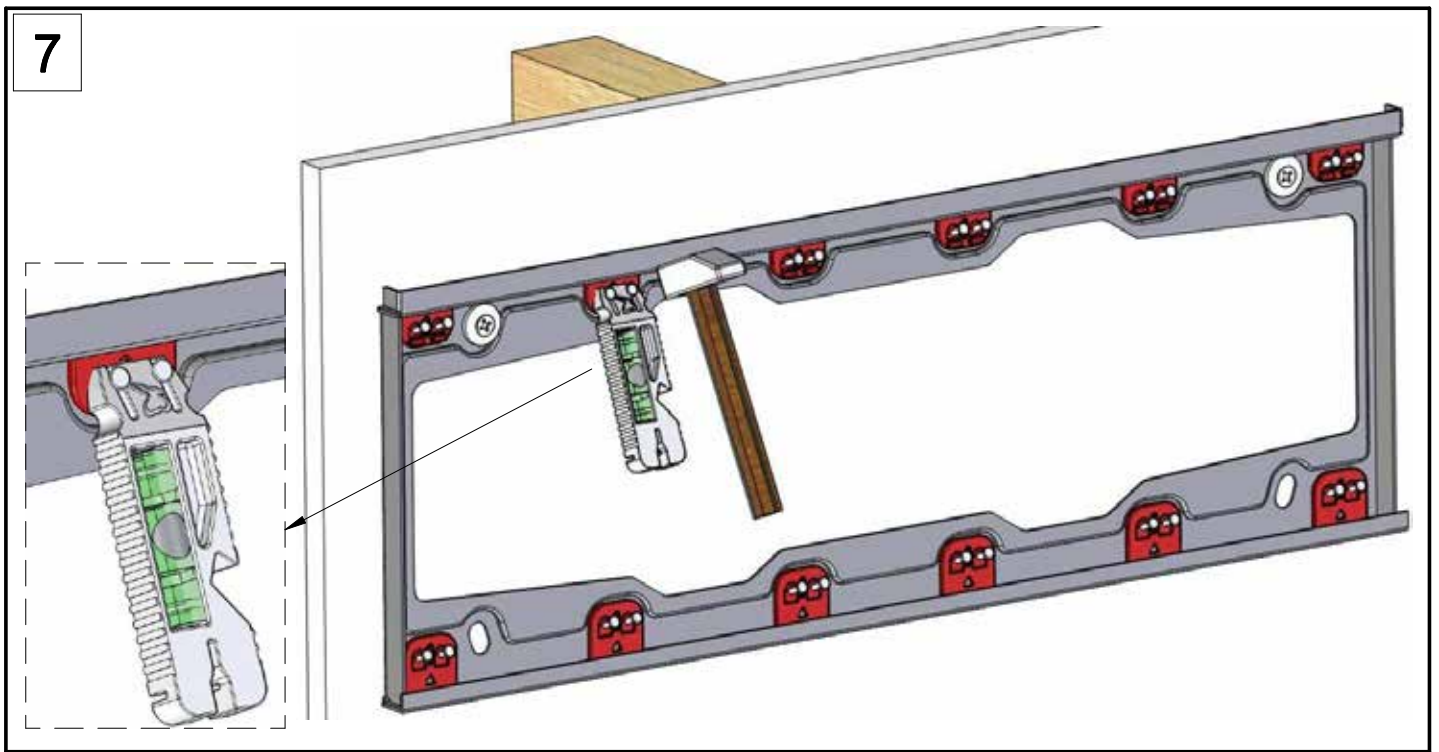
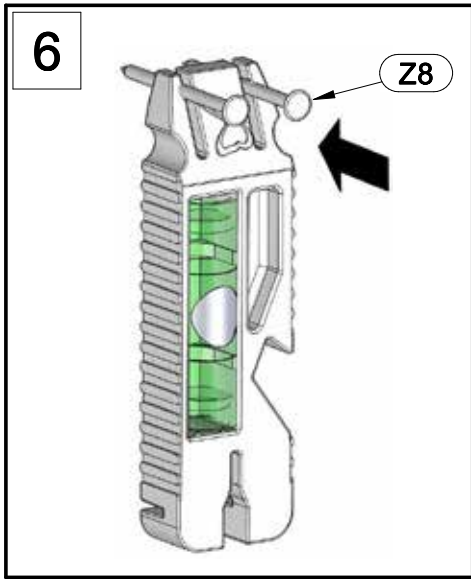
✗ TV



✓ TV







9 **TEST!**

82lbs / 37kg

10

FALL PROOF

CLICK

11 **TEST!**

12

LATERAL ADJUSTMENT

FINISH

DISCONNECT