

Lenco

MODEL: SCD-6900

**PORTABLE DAB+ AND FM RADIO WITH CD,
CASSETTE AND BLUETOOTH**



USER MANUAL	Portable DAB+ and FM radio with CD, cassette and Bluetooth
GEBRUIKSHANDLEIDING	Draagbare DAB+ en FM-radio met cd, cassette en Bluetooth
BEDIENUNGSANLEITUNG	Tragbare DAB+/FM-Radio mit CD, Kasette und Bluetooth
MODE D'EMPLOI	Radio portable DAB+ et FM avec CD, cassette et Bluetooth
MANUAL DE USUARIO	Radio portátil DAB+ Y FM con CD, casete y Bluetooth

Index

English	3
Nederlands	14
Deutsch	27
Français	41
Español	54

CAUTION:

Usage of controls or adjustments or performance of procedures other than those specified herein may result in hazardous radiation exposure.

PRECAUTIONS BEFORE USE

KEEP THESE INSTRUCTIONS IN MIND:

1. Do not cover or block any ventilation openings. When placing the device on a shelf, leave 5 cm (2") free space around the whole device.
2. Install in accordance with the supplied user manual.
3. Keep the device away from heat sources such as radiators, heaters, stoves, candles and other heat-generating products or naked flame. The device can only be used in moderate climates. Extremely cold or warm environments should be avoided. Working temperature between 0° and 35°C.
4. Avoid using the device near strong magnetic fields.
5. Electrostatic discharge can disturb normal usage of this device. If so, simply reset and restart the device following the instruction manual. During file transmission, please handle with care and operate in a static-free environment.
6. Warning! Never insert an object into the product through the vents or openings. High voltage flows through the product and inserting an object can cause electric shock and/or short circuit internal parts. For the same reason, do not spill water or liquid on the product.
7. Do not use in wet or moist areas such as bathrooms, steamy kitchens or near swimming pools.
8. The device shall not be exposed to dripping or splashing and make sure that no objects filled with liquids, such as vases, are placed on or near the apparatus.
9. Do not use this device when condensation may occur. When the unit is used in a warm wet room with damp, water droplets or condensation may occur inside the unit and the unit may not function properly; let the unit stand in power OFF for 1 or 2 hours before turning on the power: the unit should be dry before getting any power.
10. Although this device is manufactured with the utmost care and checked several times before leaving the factory, it is still possible that problems may occur, as with all electrical appliances. If you notice smoke, an excessive build-up of heat or any other unexpected phenomena, you should disconnect the plug from the main power socket immediately.
11. This device must operate on a power source as specified on the specification label. If you are not sure of the type of power supply used in your home, consult your dealer or local power company.
12. Keep away from animals. Some animals enjoy biting on power cords.
13. To clean the device, use a soft dry cloth. Do not use solvents or petrol based fluids. To remove severe stains, you may use a damp cloth with dilute detergent.
14. The supplier is not responsible for damage or lost data caused by malfunction, misuse, modification of the device or battery replacement.
15. Do not interrupt the connection when the device is formatting or transferring files. Otherwise, data may be corrupted or lost.
16. If the unit has USB playback function, the USB memory stick should be plugged into the unit directly. Don't use an USB extension cable because it can cause interference resulting in failing of data.
17. The rating label has been marked on the bottom or back panel of the device.
18. This device is not intended for use by people (including children) with physical, sensory or mental disabilities, or a lack of experience and knowledge, unless they're under supervision or have received instructions about the correct use of the device by the person who is responsible for their safety.
19. This product is intended for non professional use only and not for commercial or industrial use.
20. Make sure the unit is adjusted to a stable position. Damage caused by using this product in an unstable position vibrations or shocks or by failure to follow any other warning or precaution contained within this user manual will not be covered by warranty.
21. Never remove the casing of this device.
22. Never place this device on other electrical equipment.

23. Do not allow children access to plastic bags.
24. Only use attachments/accessories specified by the manufacturer.
25. Refer all servicing to qualified service personnel. Servicing is required when the device has been damaged in any way, such as the power supply cord or the plug, when liquid has been spilled or objects have fallen into the device, when the device has been exposed to rain or moisture, does not operate normally, or has been dropped.
26. Long exposure to loud sounds from personal music players may lead to temporary or permanent hearing loss.
27. If the product is delivered with power cable or AC power adaptor:
 - If any trouble occur, disconnect the AC power cord and refer servicing to qualified personnel.
 - Don't step on or pinch the power adaptor. Be very careful, particularly near the plugs and the cable's exit point. Do not place heavy items on the power adaptor, which may damage it. Keep the entire device out of children's reach! When playing with the power cable, they can seriously injure themselves.
 - Unplug this device during lightning storms or when unused for a long period.
 - The socket outlet must be installed near the equipment and must be easily accessible.
 - Do not overload ac outlets or extension cords. Overloading can cause fire or electric shock.
 - Devices with class 1 construction should be connected to a main socket outlet with a protective earthed connection.
 - Devices with class 2 construction do not require a earthed connection.
 - Always hold the plug when pulling it out of the main supply socket. Do not pull the power cord. This can cause a short circuit.
 - Do not use a damaged power cord or plug or a loose outlet. Doing so may result in fire or electric shock.
28. If the product contains or is delivered with a remote control containing coin/cell batteries:

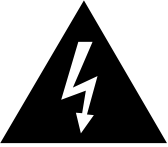

Warning:


 - "Do not ingest battery, Chemical Burn Hazard" or equivalent warning.
 - [The remote control supplied with] This product contains a coin/button cell battery. If the battery is swallowed, it can cause severe internal burns in just 2 hours and can lead to death.
 - Keep new and used batteries away from children.
 - If the battery compartment does not close securely, stop using the product and keep it away from children.
 - If you think batteries might have been swallowed or placed inside any part of the body, seek immediate medical attention.
29. Caution about the use of Batteries:
 - Danger of explosion if battery is incorrectly replaced. Replace only with the same or equivalent type.
 - Battery cannot be subjected to high or low extreme temperatures, low air pressure at high altitude during use, storage or transportation.
 - Replacement of a battery with an incorrect type that can result in an explosion or the leakage of flammable liquid or gas.
 - Disposal of a battery into fire or a hot oven, or mechanically crushing or cutting of a battery, that can result in an explosion.
 - Leaving a battery in an extremely high temperature surrounding environment that can result in an explosion or that leakage of flammable liquid or gas.
 - A battery subjected to extremely low air pressure that may result in an explosion or the leakage of flammable liquid or gas.
 - Attention should be drawn to the environmental aspects of battery disposal.

INSTALLATION

- Unpack all parts and remove protective material.
- Do not connect the unit to the mains before checking the mains voltage and before all other connections have been made.

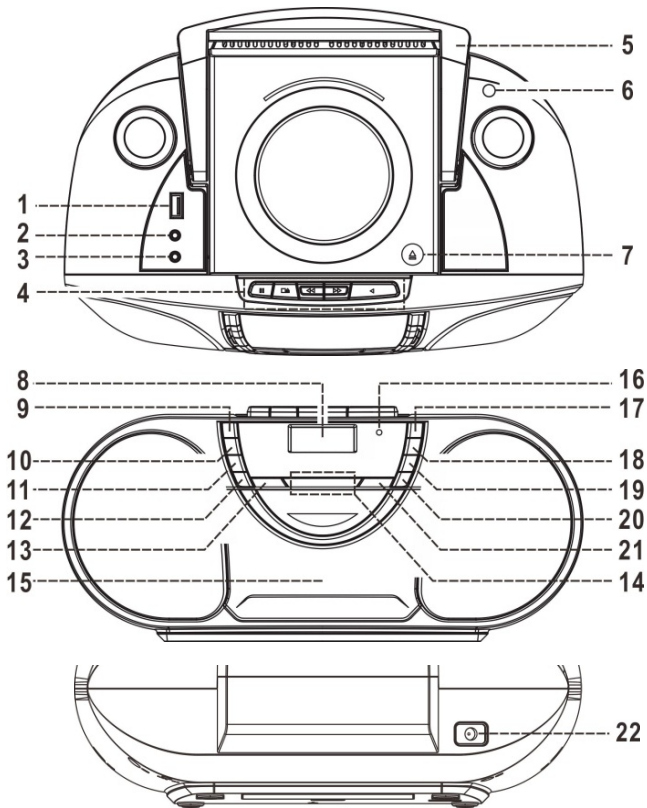
*** Those instructions are related only to products using power cable or AC power adaptor.**

 <p>The lightning flash and arrow head within the triangle is a warning sign alerting you of dangerous voltage inside the product</p>	<p style="text-align: center;">CAUTION</p> <p style="text-align: center;">RISK OF ELECTRIC SHOCK DO NOT OPEN</p> <p style="text-align: center;">CAUTION: TO REDUCE THE RISK OF ELECTRIC SHOCK DO NOT REMOVE COVER (OR BACK). NO USER SERVICEABLE PARTS INSIDE. REFER SERVICING TO QUALIFIED SERVICE PERSONNEL.</p>	 <p>The exclamation point within the triangle is a warning sign alerting you of important instructions accompanying the product</p>
--	---	--

	<p style="text-align: center;">CLASS 1 LASER PRODUCT</p>
---	---

LOCATION OF CONTROL

- 1) USB socket
- 2) Aux in socket
- 3) 3.5mm headphone jack
- 4) Cassette buttons
- 5) Handle
- 6) FM antenna
- 7) CD door open/close
- 8) LCD display
- 9) Function button
- 10) Stop ■/Enter button
- 11) Skip/Tuning down ◀◀ button
- 12) Menu/Mem/clock-adjust button
- 13) Timer button
- 14) Volume up/down button
- 15) Cassette door
- 16) Standby LED
- 17) On/Off button
- 18) Play/pause ▶||/Scan button
- 19) Skip/tuning up ▶▶ button
- 20) Pre/Folder up ▲button
- 21) Info/Play mode button
- 22) DC Jack



Caution:

Use of controls or procedures other than those specified herein may result in hazardous radiation exposure.

This unit should not be adjusted or repaired by anyone except qualified service personnel.

Important:

Since the sensitive circuitry may cause interference to a radio tuner nearby, switch this unit off while operating other radio devices.

Due to the complexity of the MCU control, please un-plug the main power supply of the unit if the unit stops during operation! This is not a malfunction of the system!

Precautions for use

Installation

- Unpack all parts and remove protective material.
- Do not connect the unit to the mains before checking the main voltage and before all other connections have been made.
- Do not cover any vents and make sure that there is a space of several centimeters around the unit for ventilation.

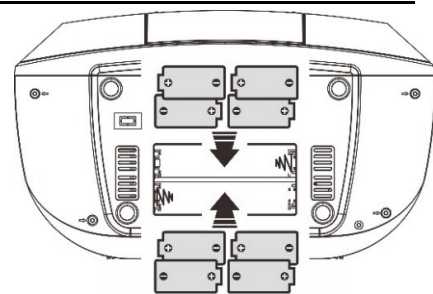
Connection

1. Connect the DC plug of the included AC/DC adaptor to DC jack (22) then the AC/DC adaptor connect to the AC outlet.
2. When you first plug the unit into the mains, the unit will go into standby mode. The Standby LED will light up
3. Turn on the unit by pressing “On/Standby” button (17). If the LCD display (8) is on with backlighting, it means the power supply is normal. Now the system is ready to play the music.

DC connection

For DC operation, please insert 8 pcs size C (UM-2) batteries into the battery compartment and remove the AC plug from AC the outlet then disconnect the AC cord from the AC socket.

Please remove any batteries from the unit whilst using DC power supply. It is recommended to remove any batteries from the unit if unit will not be used for a period of time.

**Setting the clock**

1. Set the unit to standby mode.
 2. Press and hold the “Menu/Mem/clk-adj” button (12), the hour digit will flash on LCD display (8) Press the Skip down ◀◀ (11) or Skip up ▶▶ (19) button to set the correct hour. Press the “Menu/Mem/clk-adj” button (12) to store the hour then the minute digit will flash.
 3. Press the Skip down ◀◀ (11) or Skip up ▶▶ (19) button to set the correct minutes.
 4. Press “Menu/Mem/Menu/clk-adj” button (12) to store the correct hour.
- **The preset time will be reset completely if disconnecting the main power supply. You are recommended to switch the system into standby mode for convenient use.**
 - **The clock will synchronize to RDS/DAB clock once receiving the RDS/DAB signal if the clock was not set in advance.**

Listening to radio

Operation**Manual tuning**

1. Turn on the unit by On/Off button (17) and then press the Function button (9) until it reaches the “FM” mode.
2. Press the Skip down ◀◀ (11) or Skip up ▶▶ (19) button to tune your desired station.
3. Adjust volume up/down button (14) for the desired volume level.

Auto tuning

1. Set the unit to FM mode.
2. Press the auto scan button (18) once; the unit will start to scan upwards until a radio station is received. Press tuning down button (11) once and then press the auto scan button (18), the unit will scan downwards. If the radio data system (RDS) broadcasting signal is received, the unit will set the actual time automatically.
3. Adjust volume knob (14) for the desired volume level

FM scan setting

After auto tuning if too many unwanted weak radio stations are received, you can select strong stations only by filtering out the weaker **signals**.

1. In FM mode, press "Menu/Mem/clk-adj" button (12) to enter the "Menu", then press Skip down **⏪** (11) or Skip up **⏩** (19) button to select "Scan setting".
2. Press "Stop/Enter" button (10) to enter the "Scan setting", then press Skip down **⏪** (11) or Skip up **⏩** (19) button to select "Strong station only". Then press "Stop/Enter" button (10) to confirm the setting.
3. Perform the auto tuning operation again as above.

FM & FM-stereo reception

- The unit will default to the FM mode in Mono. Thus, if FM stereo signal received, set the FM mode to Stereo by press Menu button (12), then press Skip down **⏪** (11) or Skip up **⏩** (19) button to select Audio setting, press Enter button (10) and press Skip down **⏪** (11) or Skip up **⏩** (19) again to select FM stereo, then press Enter button (10) to confirm. When stereo signals are weak and noisy. It is preferable to change the FM mode by the same procedure.

Hints for best reception: -

FM: the receiver has a rod antenna (6) at the rear cabinet. It should be totally extended for the best reception.

Radio data system (RDS)

This is the feature which displays the information released from the radio broadcast and will showed on the LCD display step by step as below by pressing the Play mode/info button (21) continuously.

Radio text → program type → frequency → mono/stereo → time → date

Digital audio broadcasting (DAB) radio

1. Set the unit to DAB mode by press Function button (9).
2. Press the Play/pause **⏮**/Scan button (18) once; the unit will start a full scan from range 11b-12d. Press Skip down **⏪** (11) or Skip up **⏩** (19) button to select your desired DAB channel then press "Stop/Enter" button (10) to confirm the selected channel.
3. Press the Play mode/info button (21) continuously to check the below info released by DAB.
Signal strength → program type → Group name → frequency → signal error → transfer rate → time → date
4. Adjust volume knob (14) for the desired volume level.

Dynamic range control

This apparatus provides three dynamic range modes to match different program types in DAB mode.

1. In DAB mode, press "Menu/Mem/clk-adj" button (12) to enter the "Menu", then press Skip down **⏪** (11) or Skip up **⏩** (19) button to select "DRC".
2. Press "Stop/Enter" button (10) to enter the "DRC" setting, then press Skip down **⏪** (11) or Skip up **⏩** (19) button to select "DRC high/low/off" mode. Then press "Stop/Enter" button (10) to confirm the setting.
3. In any state press "Menu/Mem/clk-adj" button (12) to quit the setting mode

Language setting

This apparatus provide 4 languages for FM/DAB operation display.

1. In DAB/FM mode, press “Menu/Mem/clk-adj” button (12) to enter the “Menu”, then press Skip down **⏪** (11) or Skip up **⏩** (19) button to select Syetem”.
2. Press “Stop/Enter” button (10) to enter the “System” setting, then press Skip down **⏪** (11) or Skip up **⏩** (19) button to select “Language” then press “Stop/Enter” button (10) to enter language mode, then press Skip down **⏪** (11) or Skip up **⏩** (19) button to select your desired language between English/French/German/Italian. Then press “Stop/Enter” button (10) to confirm the setting.
3. In any state press “Menu/Mem/clk-adj” button (12) to quit the setting mode

Preset stations

You can store up to 20 radio stations in the memory (10-FM/10-DAB).

1. Set to FM/DAB mode
2. Turn to the desired radio station by “manual” or “auto” tuning method.
3. Press and hold the “Mem/clk-adj” button (12) to enable memory state.
4. Press Skip down **⏪** (11) or Skip up **⏩** (19) button to select the desired station memory for storage.
5. Press “Stop/Enter” button (10) to confirm the setting.
6. Repeat step 2 to 5 to store other stations.

Recall preset stations

1. Set to FM/DAB mode
2. Press Pre-up button (20) to recall the stored station.
3. Press Skip down **⏪** (11) or Skip up **⏩** (19) button to select the desired recall station.
4. Press “Stop/Enter” button (10) again to confirm the recall station.

DAB/FM reset:

If you would like to erase all the FM/DAB staions stored.

1. Set in DAB or FM mode, press “Menu/Mem/clk-adj” button (12) to enter the “Menu”, then press Skip down **⏪** (11) or Skip up **⏩** (19) button to select “System”.
2. Press “Stop/Enter” button (10) to enter the “System” setting, then press Skip down **⏪** (11) or Skip up **⏩** (19) button to select “Factory reset”. Then press “Stop/Enter” button (10) to confirm the factory reset.
3. Apparatus will then erase all the stored stations.

Playing CD/MP3 disc

● Getting started

1. Press the Function button (9) to select CD mode.
2. Open the CD door by pressing the CD door open/close (7). Put a CD disc into the compartment and close the CD door.
3. A search is performed if a disc is inside. Total number of tracks is read.

● Play/pause mode **⏩**

1. If Play/Pause **⏩** button (18) is pressed during stop mode, the first track will be played.
2. If Play/Pause **⏩** button (18) is pressed during playback, the system will go into pause mode and the pause indicator will light up in the LCD display (8). Press again to resume normal playback.

● Stop mode **■**

1. If Stop **■** button (10) is pressed during play or pause mode. The unit will go into stop mode and display the total number of track in the LCD display (8).

● Skip mode (skip up **⏩**/skip down **⏪**)

1. During play mode, if skip up **⏩** button (19) is pressed it will go to next track and display the track number.

2. During play mode, if Skip down **⏮** button (11) is pressed, it will go back to the beginning of the track, same track number.
3. After step 2, press skip down **⏮** button (11) again, it will go to the previous track and play the beginning of the track.

● **For MP3 disc/file**

1. Place the MP3-CD in the CD compartment. After a search is performed the total number of tracks will be shown on the LCD display (8).
2. Press Skip up **⏭** or Skip down **⏮** (11/19) button to select the track number.
3. When the desired track and album is being selected, press the “Play/Pause **⏩**” button (18) to start playback.

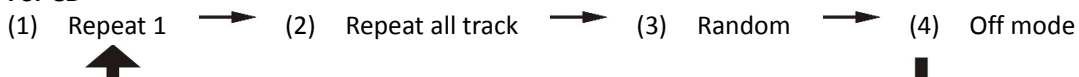
Remark

- Press “Folder up **▲**” button (20) on the main unit to select the MP3 folder upwardly.
- The track number will display on the LCD (8) and then it will play that track when you press Play/Pause **⏩** button (18).

● **Repeat/Random mode**

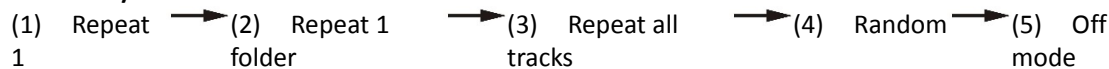
Press the “Play mode” button (21) during playback to select repeat and random functions, a single track, single folder (MP3 only) or all the tracks can be played in different modes as follows: -

For CD



Play mode	Indicator on LCD display
Repeat track	Rep 1
Repeat all	Rep A
Random	Rand
Off mode	-----

For MP3 disc/file



Play mode	Indicator on LCD display
Repeat single track	Rep 1
Repeat single folder	Rep F
Repeat all tracks	Rep A
Random	Rand
Off mode	-----

● **Repeat play**

You can listen to the desired tracks or folder repeatedly by using this function.

● **Random play**

You can listen to all the tracks in a random order by using this function

CD/MP3 disc programming

Up to 20 tracks can be programmed for disc play in any order. Before use, be sure to press the stop button.

1. Set in CD mode.
2. Press the Memory button (12), “P01&T000” will appear on LCD display (8).
3. Select a desired track by using the Skip up **⏭**/Skip down **⏮** buttons (19/11).

4. Press the Memory button (12) to enter the track into the memory.
5. Repeat steps 3 and 4 to enter additional tracks into the memory if necessary.
6. When all the desired tracks have been programmed, press "Play/Pause ►||" button (18) to play the disc in the order you have programmed.
7. Press "Stop ■" button (10) to terminate program play.
 - Press "Stop ■" button twice (10) at CD stop mode to cancel all programmed memory until the "Prog" indicator disappear on LCD display (8).
 - For MP3 disc/file, press the "Folder up" button (20) to select the 1st track of next folder directly and hence to speed up the song selection.
 - The programming mode will automatically stop if no button is being pressed in a period of about 30 seconds after pressing the Memory button (12).

Remark: -

MP3 track format requirement: -

- Bit rate: 32 kbps~320kbps, sampling rate: 32kHz, 44.1kHz and 48 kHz decodable
- The performance of playing MP3 disc is dependent on the quality of the recording disc and the method of recording. Furthermore, the searching lead-time for MP3-CD is longer than normal CD due to the different format.

Playback of MP3 song via USB storage media

Connecting

The system is able to decode and playback all MP3 files which are stored in memory media using the USB port.

1. Set the system to Standby mode first or any other function except USB mode.
2. Plug-in the USB pen-drive with the face up and make sure its fully inserted.
 - **Connecting the USB pen-drive upside down or backwards could damage the audio system or the storage media. Check to be sure the direction is correct before connection.**
3. Turn on the unit again by On/off button (17) and set press Function button (9) to select USB mode. The system will start reading the storage media automatically after connecting, and LCD display (8) will show the total number of MP3 files being detected.
4. Repeat the same playback procedure as playing CD/MP3 disc as above.

Remark

- The system can detect and read the files under MP3 format only in USB mode but not other music file formats.
- **If you connect the system to an MP3 player via the USB socket, due to variances in file system formats, some MP3 players may not be able to play via the USB socket. This is not a malfunction of the system.**
- **The USB port does not support connection with a USB extension cable and is not designed for communication with computer.**
- **Due to ERP stage two requirements and to protect the environment (for European market only). The unit will switch to standby mode automatically if no music is detected playing for over 15 minutes.**

Removing of USB

To remove the USB stick, turn off the power or switch the function mode to either cd or tuner mode first, then un-plug it by pulling out the USB socket directly

Bluetooth connecting and playback

1. Press the Function button (9) to select “BT / AUX” mode.
2. If the Aux-in jack is not connected, the system will switch to BT mode automatically and “BT “with the flashing of “Pairing” will be shown on the LCD display (8). It means the Bluetooth is in searching mode.
3. Switch on the Bluetooth feature of your Bluetooth device (such as mobile phone) and select “Lenco SCD-690” Bluetooth equipment to connect.
4. Once connected successfully, the LCD display (8) will show “BT Connected “. Start playback from your Bluetooth device and enjoy the music.
5. Adjust the Volume Up/Down button (14) to desired volume level.
6. To disconnect the Bluetooth connection, turn off the Bluetooth feature of your Bluetooth device. The LCD display will show “BT “with the flashing of “Pairing” for pairing of a new device or switch off the unit.

Listening to tape

General operation

- Stop/eject key press to stop all deck operation. Press again to open the cassette door.
- Fast forward key & Fast rewind key press to start rapid tape winding in either forward or reverse direction. Press stop/eject key, the cassette spools stop turning.
- Play key press to start playing tape.
- Pause key press to stop tape operation temporarily. Press again to resume play.

Playback

- Select “Tape” by Function button (9)
- Put in the cassette tape.
- Press play key ► to active playback
- Adjust the Volume up/down control (14) to the desired level.
- Use pause key || when you want to stop playback temporarily.
- Press stop/eject key ■▲ when finished.

More features

A. Alarm clock setting

This function allows the system to turn on automatically and wake you up to CD, FM/DAB, buzzer or USB mode. Set the system to standby mode, then press and hold the “Timer” key to enter the Timer setting mode, LCD will show Timer On time, Moreover, the timer clock will flash the hour digit, this means the unit is all ready to enter timer setting mode.

- 1) On time setting : Press the skip up ►► (19/11) or down ◀◀ (19/11) to set the hour. Then press Timer button (13) to store the timer starting hour, minute digit will flash, press skip up ►► (19/11) or down ◀◀ (19/11) to set the minute. Then press Timer button (13) to store the timer on time
- 2) Off time setting : After above step, the LCD will show “Timer Off” and hour digit was flashing. Press skip up ►► (19/11) or down ◀◀ (19/11) to set the hour. Then press Timer button (13) to store the timer off hour, minute digit will flash, press skip up ►► (19/11) or down ◀◀ (19/11) to set the minute. Then press Timer button (13) to store the timer off time
- 3) Mode : Then press skip up ►► (19/11) or down ◀◀ (19/11) to select timer on mode. Then press Timer button (13) to store the timer on mode. Press skip up ►► (15/21) or down ◀◀ (15/21) to select timer on volume level and press Timer button (13) to complete the timer setting. The Unit will return to standby mode and the display will show the timer icon “⌚”.

Active/de-active timer function (In standby mode only)

1. To active timer function, press the “Timer” button once the timer indicator “⌚” will appear in the LCD display (2).
2. To cancel timer function, press “Timer” button again the timer indicator “⌚” will disappear.

Remark: -

- If there is no music source being detected (CD or USB) when the preset time is reached, system will default to “FM” function for wake-up mode automatically. The system will preset to the last radio frequency being listened too before switching off.
- For FM/DAB wake up, the system will preset to the last radio frequency being listened too before switching off.
- If wake up to buzzer is selected, the unit will emit a “beep beep” sound at the selected time.
- There are about 4 seconds for the alarm setting mode, this system will return to normal mode automatically if no keys are being pressed in this time frame.
- During the alarm on mode, pressing the “On/off” button (17) will switch off the system.
- Due to display size limitation, timer icon “⌚” will not appear on LCD during operating in FM/DAB mode

B. Aux-in connection

Connect the unit to other devices by connecting the Aux in jack (2) with a 3.5mm cable (not provided) and the other end connect to the external device such as Discman/MP3 player to perform the music playback or encoding function etc.

- 1) Select the “BT / AUX” mode by pressing the function button (9) and the unit will automatically switch to “AUX IN” mode as long as the Aux-in cable is connected
- 2) Adjust the Volume Up/Down button (14) to desired volume level.
- 3) Start to play your external device.

C. Using Headphones

Inserting the plug of your headphones into the Headphone jack will enable you to listen in private.

READ THIS IMPORTANT INFORMATION BEFORE USING YOUR HEADPHONES

- 1) Avoid extended play at very high volume as it may impair your hearing.
- 2) If you experience ringing in your ears, reduce the volume or shut off your unit.
- 3) Keep the volume at a reasonable level to allow you to hear outside sounds.

SPECIFICATION

AC POWER	AC 230V ~ 50Hz
RADIO FREQUENCY	FM 87.5 – 108 MHz DAB: 174.928-239.2 MHz
BLUETOOTH VERSION	V2.1

NOTE: Due to ERP stage two requirements and to protect the environment, the unit will switch to standby mode automatically if no music is playing after 15 minutes.

Guarantee

Lenco offers service and warranty in accordance to European law, which means that in case of repairs (both during and after the warranty period) you should contact your local dealer.

Important note: It is not possible to send products that need repairs to Lenco directly.

Important note: If this unit is opened or accessed by a non-official service center in any way, the warranty expires.

This device is not suitable for professional use. In case of professional use, all warranty obligations of the manufacturer will be voided.

Disclaimer

Updates to Firmware and/or hardware components are made regularly. Therefore some of the instruction, specifications and pictures in this documentation may differ slightly from your particular situation. All items described in this guide for illustration purposes only and may not apply to particular situation. No legal right or entitlements may be obtained from the description made in this manual.

Disposal of the Old Device



This symbol indicates that the relevant electrical product or battery should not be disposed of as general household waste in Europe. To ensure the correct waste treatment of the product and battery, please dispose them in accordance to any applicable local laws of requirement for disposal of electrical equipment or batteries. In so doing, you will help to conserve natural resources and improve standards of environmental protection in treatment and disposal of electrical waste (Waste Electrical and Electronic Equipment Directive).

CE Marking

Hereby, Lenco Benelux B.V., Thermiekstraat 1a, 6361 HB Nuth, The Netherlands, declares that this product is in compliance with the essential EU directive requirements.

The declaration of conformity may be consulted via techdoc@commaxxgroup.com



Service

For more information and helpdesk support, please visit www.lenco.com

Lenco Benelux BV, Thermiekstraat 1a, 6361 HB, The Netherlands.

LET OP:

Het gebruik van afstandsbedieningen of aanpassingen of de uitvoering van procedures die niet in dit document zijn gespecificeerd, kan leiden tot gevaarlijke blootstelling aan straling.

VOORZORGSMAATREGELEN VOOR GEBRUIK**ONTHOUD DE VOLGENDE INSTRUCTIES:**

1. Bedek of blokkeer de ventilatieopeningen niet. Wanneer u het apparaat op een schap plaatst, dient u 5 cm (2") vrije ruimte rondom het gehele apparaat te behouden.
2. Installeer het product volgens de meegeleverde gebruikershandleiding.
3. Houd het apparaat uit de buurt van hittebronnen, zoals radiatoren, verwarmingen, kachels, kaarsen en andere hittegenererende producten of open vuur. Het apparaat kan alleen worden gebruikt in een gematigd klimaat. Extreem koude of warme omgevingen dienen te worden vermeden. Het bedrijfstemperatuurbereik ligt tussen 0 °C en 35 °C.
4. Gebruik dit apparaat niet in de buurt van krachtige magnetische velden.
5. Elektrostatische ontlading kan normaal gebruik van dit apparaat verstoren. U hoeft het apparaat in dit geval slechts te resetten en opnieuw op te starten volgens de gebruikershandleiding. Wees voorzichtig tijdens bestandsoverdracht en gebruik het product in een omgeving zonder statische interferentie.
6. **Waarschuwing!** Steek nooit een voorwerp via de ventilatie- of andere openingen in het product. Er is hoogspanning in het product aanwezig en als u er een object insteekt, kan dat een elektrische schok veroorzaken en/of kortsluiting in de interne onderdelen. Mors om dezelfde reden geen water of vloeistof op het product.
7. Gebruik het toestel niet in vochtige ruimtes, zoals badkamers, stomende keukens of in de buurt van zwembaden.
8. Het apparaat mag niet worden blootgesteld aan druppels en spetters en zorg ervoor dat er geen met vloeistof gevulde voorwerpen, zoals vazen, op of in de buurt van het apparaat worden geplaatst.
9. Gebruik dit apparaat niet wanneer condensatie kan optreden. Wanneer het apparaat in een warme, natte ruimte wordt gebruikt, kunnen zich waterdruppels of condens vormen in het apparaat en kan het apparaat niet goed functioneren. Laat het apparaat 1 of 2 uur uit staan voordat u het inschakelt: het apparaat dient droog te zijn voordat deze stroom ontvangt.
10. Alhoewel dit apparaat met grote zorg gefabriceerd en verschillende keren geïnspecteerd is voordat het de fabriek verlaat, is het nog steeds mogelijk dat er problemen optreden, zoals met alle elektrische apparaten. Als u rook, een overmatige hitteontwikkeling of enig ander onverwacht verschijnsel opmerkt, moet u onmiddellijk de stekker van het netsnoer uit het stopcontact halen.
11. Dit apparaat moet worden gebruikt met een voedingsbron zoals gespecificeerd op het specificatielabel. Als u twijfelt over het type voeding dat gebruikt wordt in uw huis, raadpleeg dan uw dealer of plaatselijk energiebedrijf.
12. Buiten bereik van dieren houden. Sommige dieren kauwen graag op voedingskabels.
13. Gebruik een zacht, droog doekje om het apparaat te reinigen. Gebruik geen oplosmiddelen of op benzine gebaseerde vloeistoffen. U kunt een vochtig doekje met verdund schoonmaakmiddel gebruiken om hardnekkige vlekken te verwijderen.
14. De leverancier is niet verantwoordelijk voor schade of verloren gegevens veroorzaakt door storing, misbruik, modificatie van het apparaat of batterijvervanging.
15. Onderbreek nooit de verbinding wanneer het apparaat formateert of bestanden overdraagt. De gegevens kunnen anders corrupt of verloren raken.
16. Indien het apparaat een USB-afspeelfunctie heeft, moet de USB-geheugenstick rechtstreeks op het apparaat worden aangesloten. Gebruik geen USB-verlengkabel, omdat die kan leiden tot storingen met foutieve gegevens als gevolg.
17. Het classificatielabel bevindt zich op de onderkant of het achterpaneel van het apparaat.

18. Dit hulpmiddel is niet bedoeld voor gebruik door mensen (inclusief kinderen) met een fysieke, zintuiglijke of mentale handicap, of een gebrek aan ervaring en kennis, tenzij zij toezicht of instructies hebben gekregen over het juiste gebruik van het hulpmiddel door een persoon die verantwoordelijk is voor hun veiligheid.
19. Dit product is alleen voor niet-professioneel gebruik bedoeld en niet voor commercieel of industrieel gebruik.
20. Verzeker u ervan dat het apparaat in een stabiele positie staat opgesteld. Schade die wordt veroorzaakt door het gebruik van dit product in een onstabiele positie, trillingen of schokken of het niet opvolgen van de waarschuwingen of voorzorgsmaatregelen in deze gebruikershandleiding wordt niet gedekt door de garantie.
21. Verwijder nooit de behuizing van dit apparaat.
22. Plaats dit apparaat nooit op andere elektrische apparatuur.
23. Geef kinderen geen gelegenheid in aanraking met plastic zakken te komen.
24. Gebruik uitsluitend uitbreidingen/accessoires gespecificeerd door de fabrikant.
25. Laat alle reparaties over aan gekwalificeerd onderhoudspersoneel. Onderhoud is nodig als het apparaat is beschadigd, bijvoorbeeld als de voedingskabel of de stekker is beschadigd, als er vloeistof op het apparaat is gemorst, als er voorwerpen in het apparaat zijn gevallen, als het apparaat is blootgesteld aan regen of vocht, als het apparaat niet normaal werkt of als het is gevallen.
26. Langdurige blootstelling aan harde geluiden van persoonlijke muzikspelers kan leiden tot tijdelijk of permanent gehoorverlies.
27. Als het product wordt geleverd met voedingskabel of wisselstroomvoedingsadapter:
 - Als er zich problemen voordoen, moet u de voedingskabel loskoppelen en het ter onderhoud aanbieden aan gekwalificeerd personeel.
 - Nooit op de voedingsadapter stappen of deze indrukken. Wees zeer voorzichtig, vooral in het gebied rond de stekkers en de kabelaansluitingen. Plaats geen zware voorwerpen op de voedingsadapter, om beschadiging ervan te voorkomen. Houd het gehele apparaat buiten bereik van kinderen! Wanneer kinderen met de voedingskabel spelen, kunnen zij ernstig letsel oplopen.
 - Haal de stekker uit het stopcontact tijdens onweer of wanneer u deze langere tijd niet gebruikt.
 - Het stopcontact moet in de buurt van de apparatuur zijn geïnstalleerd en eenvoudig te bereiken zijn.
 - Laat AC-stopcontacten of verlengsnoeren nooit overbelast raken. Overbelasting kan brand of een elektrische schok veroorzaken.
 - Apparaten met een Klasse 1 structuur dienen te worden aangesloten op een stopcontact met een beschermende aardverbinding.
 - Apparaten met een Klasse 2 structuur vereisen geen aardverbinding.
 - Houd altijd de stekker vast wanneer u deze uit het stopcontact trekt. Trek nooit aan de voedingskabel. Dit kan tot een kortsluiting leiden.
 - Gebruik nooit een beschadigde voedingskabel of stekker of een los stopcontact. Dit vormt namelijk een risico op brand of elektrische schokken.
28. Indien het product knoopcelbatterijen bevat of wordt geleverd met een afstandsbediening die knoopcelbatterijen bevat:

Waarschuwing:

 - "Batterij niet inslikken, chemisch brandgevaar" of gelijkwaardige werking.
 - De meegeleverde afstandsbediening bevat een knoopcelbatterij. Als de batterij wordt ingeslikt, kan deze in slechts 2 uur ernstige interne brandwonden veroorzaken en tot de dood leiden.
 - Houd nieuwe en gebruikte batterijen buiten bereik van kinderen.
 - Als de batterijhouder niet goed kan worden gesloten, dient u het product niet meer te gebruiken en buiten bereik van kinderen te houden.
 - Als u denkt dat batterijen zijn ingeslikt of binnenin een willekeurig lichaamsdeel terecht zijn gekomen, dient u onmiddellijk medische hulp te zoeken.

29. Waarschuwing m.b.t. het gebruik van batterijen:

- Als de batterij onjuist wordt geplaatst, bestaat er explosiegevaar. Vervang de batterij alleen door een zelfde of vergelijkbare soort batterij.
- Stel de batterij niet bloot aan extreem hoge of lage temperaturen of een lage luchtdruk op grote hoogte tijdens gebruik, opslag of transport.
- Vervanging van een batterij door een incorrect type kan leiden tot een ontploffing of de lekkage van ontvlambare vloeistoffen of gas.
- Het weggooien van een batterij in het vuur of een hete oven, of het mechanisch verpletteren of insnijden van een batterij, kan leiden tot een explosie.
- Het achterlaten van een batterij in een omgeving met extreem hoge temperaturen kan leiden tot een explosie of het lekken van brandbare vloeistof of gas.
- Een batterij die aan een extreem lage luchtdruk wordt blootgesteld, kan leiden tot een explosie of het lekken van brandbare vloeistof of gas.
- Aandacht voor het milieu is nodig bij het verwijderen van de batterijen.

INSTALLATIE

- Pak alle onderdelen uit en verwijder de beschermende materialen.
- Sluit het apparaat niet aan op het stopcontact, voordat u de netspanning hebt gecontroleerd en voordat alle andere aansluitingen zijn gemaakt.

*** Deze instructies zijn enkel van toepassing op producten met een voedingskabel of een AC voedingsadapter.**

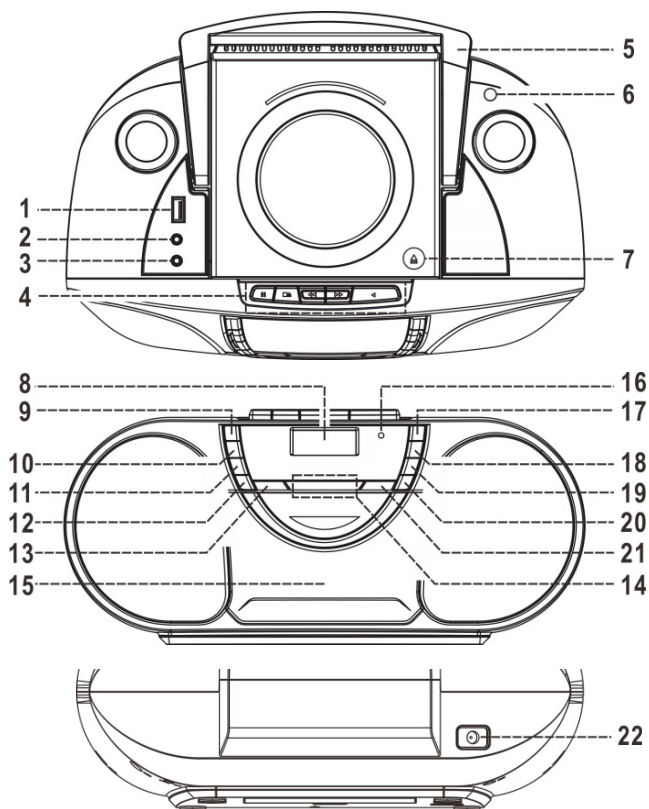
 <p>De bliksemschicht binnenin de driehoek is bestemd u te waarschuwen op de aanwezigheid van gevaarlijke spanning binnenin het product.</p>	<p style="text-align: center;">LET OP</p> <p style="text-align: center;">RISICO OP ELEKTRISCHE SCHOKKEN OPEN HET APPARAAT NIET</p> <p>LET OP: OM HET RISICO OP ELEKTRISCHE SCHOKKEN TE VOORKOMEN, NOOIT DE BEHUIZING (OF ACHTERZIJDE) OPENEN. GEEN INTERNE ONDERDELEN DIE U ZELF KUNT REPAREREN. LAAT ALLE REPARATIES DOOR BEVOEGD ONDERHOUDSPERSONEEL UITVOEREN.</p>	 <p>Het uitroepteken binnenin de driehoek is bedoeld om u te wijzen op de aanwezigheid van belangrijke instructies meegeleverd met het product</p>
---	--	---



**KLASSE 1
LASERPRODUCT**

PLAATSING VAN BEDIENINGSELEMENTEN

- 1) USB-aansluiting
- 2) Aux-ingang
- 3) 3,5 mm hoofdtelefoonuitgang
- 4) Cassettetoets
- 5) Handvat
- 6) FM-antenne
- 7) CD-klepje openen/sluiten
- 8) LCD-scherm
- 9) knop Functie
- 10) Stop ■/Entertoets
- 11) Vorige/Tuner omlaag ◀◀-toets
- 12) Menu/Mem/clock-adjust-toets
- 13) Timer-toets
- 14) Volume omhoog/omlaagtoets
- 15) Cassettedeurtje
- 16) Stand-by-led
- 17) Aan/uittoets
- 18) Start/Pauze ▶||/Scantoets
- 19) Volgende/Tuner omhoog ▶▶-toets
- 20) Pre/Folder up ▲-toets
- 21) Info/Play mode-toets
- 22) DC-aansluiting



Let op:

Het gebruik van bedieningen of procedures anders dan beschreven in deze documentatie kan leiden tot blootstelling aan schadelijke straling.

Dit apparaat dient uitsluitend te worden aangepast of gerepareerd door gekwalificeerd onderhoudspersoneel.

Belangrijk:

Omdat het gevoelige circuit interferentie kan veroorzaken in radiotuners in de buurt van het apparaat, dient u dit apparaat uit te schakelen wanneer u andere radioapparatuur gebruikt.

Wegens de complexiteit van de MCU-bediening, koppel het apparaat a.u.b. los van de voedingsbron als het apparaat stopt tijdens gebruik! Dit duidt niet op een storing van het systeem!

Voorzorgsmaatregelen voor gebruik

Installatie

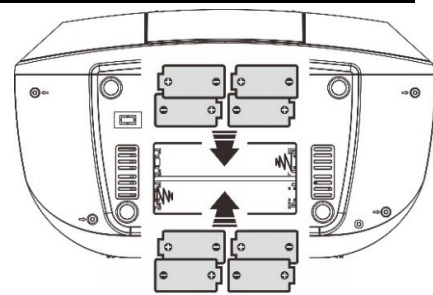
- Pak alle onderdelen uit en verwijder de beschermende materialen.
- Sluit het apparaat niet aan op het stopcontact voordat u de netspanning hebt gecontroleerd en alle andere verbindingen tot stand hebt gebracht.
- Bedek geen van de ventilatieopeningen en zorg voor enkele centimeters vrije ruimte rondom het apparaat voor ventilatie.

Aansluiting

1. Sluit de DC-stekker van de meegeleverde AC/DC-adapter aan op de DC-aansluiting (22) en sluit de AC/DC-adapter vervolgens aan op het AC-stopcontact.
2. Wanneer u het apparaat voor het eerst aansluit op het stopcontact, zet het zich automatisch op stand-by en zal de stand-by-led oplichten. De stand-by-led zal oplichten
3. Schakel het apparaat in door op de toets "Aan/Stand-by" (17) te drukken. Als de lcd-display (8) is ingeschakeld met achtergrondverlichting, betekent dit dat de voeding in orde is. Het systeem is nu gereed om muziek af te spelen.

DC-aansluiting

Voor gebruik op DC-voeding, installeer a.u.b. 8 stuks type C (UM-2) batterijen in de batterijhouder, trek de AC-stekker uit het stopcontact en koppel de AC-kabel vervolgens los van de AC-ingang. Haal a.u.b. alle batterijen uit het apparaat wanneer u deze op DC-voeding gebruikt. Het is raadzaam alle batterijen uit het apparaat te verwijderen wanneer u deze voor langere tijd niet gebruikt.



De klok instellen

1. Zet het apparaat in de standby-modus.
 2. Houd de toets "Menu/Mem/clk-adj" (12) ingedrukt en de uuraanduiding zal beginnen te knipperen op de LCD-display (8). Druk op de toets Vorige/Omlaag ◀◀ (11) of Volgende/Omhoog ▶▶ (19) om de juiste uren in te stellen. Druk op de toets "Menu/Mem/clk-adj" (12) om de uren op te slaan, de minuten zullen vervolgens beginnen te knipperen.
 3. Druk op de toets Vorige/Omlaag ◀◀ (11) of Volgende/Omhoog ▶▶ (19) om de juiste minuten in te stellen.
 4. Druk op de toets "Menu/Mem/clk-adj" (12) om de minuten op te slaan.
- Als u de netvoeding onderbreekt, zal de ingestelde tijd volledig worden teruggesteld. Wij raden u aan het systeem op stand-by te schakelen voor eenvoudig gebruik.
 - De klok zal zichzelf met de RDS-/DAB-klok synchroniseren zodra het RDS-/DAB-sigitaal wordt ontvangen als de klok nog niet is ingesteld.

Naar de radio luisteren

Bediening

Handmatig afstemmen

1. Schakel het apparaat in door middel van de Aan/uittoets (17) en druk op de Functietoets (9) tot u de "FM"-modus bereikt.
2. Druk op de toetsen Vorige/Omlaag **◀◀** (11) of Volgende/Omhoog **▶▶** (19) om af te stemmen op de gewenste zender.
3. Pas de Volumeknop (14) aan tot het gewenste volumeniveau.

Automatisch afstemmen

1. Zet het apparaat in FM-modus.
2. Druk eenmaal op de toets Scan (18) om het apparaat in oplopende frequentie te laten scannen totdat er een radiostation wordt ontvangen. Druk eenmaal op de toets Vorige/Omlaag (11) en vervolgens op de toets Scan (18) om het apparaat in aflopende frequentie te laten scannen. Als het RDS-uitzendsignaal (Radio Data Systeem) wordt ontvangen, zal het systeem de huidige tijd automatisch instellen.
3. Pas de Volumeknop (14) aan tot het gewenste volumeniveau

FM-scaninstelling

Als er na de automatische scan teveel ongewenste radiostations met een zwak signaal worden ontvangen, dan kunt u alleen sterke stations selecteren door de zwakkere **signalen** te verwijderen.

1. Druk in FM-modus op de toets "Menu/Mem/clk-adj" (12) om het "Menu" te openen en druk vervolgens op de Vorige/Omlaagtoets **◀◀** (11) of Volgende/Omhoogtoets **▶▶** (19) om "Scan setting" (Scaninstelling) te selecteren.
2. Druk op de toets "Stop/Enter" (10) om de "Scan setting" (Scaninstelling) te openen en druk vervolgens op de Vorige/Omlaagtoets **◀◀** (11) of Volgende/Omhoogtoets **▶▶** (19) om "Strong stations only" (alleen krachtige stations) te selecteren. Druk vervolgens op de toets "Stop/Enter" (10) om uw instelling te bevestigen.
3. Voer opnieuw de automatische afstemprocedure uit zoals hierboven staat beschreven.

FM- en FM-stereo-ontvangst

- Het apparaat zal in Mono standaard op FM-modus schakelen. Zet daarom als u een FM-stereosignaal ontvangt, de FM-modus op Stereo door te drukken op de Menu-toets (12), druk dan op de toetsen Vorige/Omlaag **◀◀** (11) of Volgende/Omhoog **▶▶** (19) om de Audio setting (Audio-instellingen) te selecteren, druk op de Enter-toets (10) en druk opnieuw op de toetsen Vorige/Omlaag **◀◀** (11) of Volgende/Omhoog **▶▶** (19) om FM stereo te selecteren, druk vervolgens op de Enter-toets (10) om te bevestigen. Als het stereosignaal zwak en lawaaierig is. Schakel bij voorkeur op de FM-modus via dezelfde procedure.

Tips voor optimale ontvangst: -

FM: de ontvanger heeft een staafantenne (6) op de achterbehuizing. Trek deze volledig uit voor een optimale ontvangst.

Radio Data Systeem (RDS)

Deze functie toont stapsgewijs de volgende informatie op de LCD-display die wordt verstrekt door de radiozender als u meerdere keren op de toets Info/Play mode (21) drukt.

Radiotekst → programmatype → frequentie → mono/stereo → tijd → datum

Digital audio broadcasting (DAB) radio

1. Schakel het apparaat in DAB-modus door op de Functietoets (9) te drukken.
2. Druk eenmaal op de toets Play/Pause **▶||**/Scan (18); het apparaat zal een volledige scan starten binnen het bereik 11b-12d. Druk op de toetsen Vorige/Omlaag **◀◀** (11) of Volgende/Omhoog **▶▶** (19) om het gewenste DAB-kanaal te selecteren en druk dan op de toets "Stop/Enter" (10) om het gekozen kanaal te bevestigen.

3. Druk meerdere keren op de Play mode/Infotoets (21) om de informatie uitgezonden door DAB te controleren, in de volgorde hieronder beschreven.
Signaalsterkte → programmatype → Groepsnaam → frequentie → signaalstoring → overdrachtsnelheid → tijd → datum
4. Pas de volumeknop (14) aan tot het gewenste volumeniveau.

Dynamische bereikcontrole

Dit apparaat heeft drie dynamische bereikmodi die overeenkomen met verschillende soorten programmatypes in de DAB-modus.

1. Druk in de DAB-modus op de toets "Menu/Mem/clk-adj" (12) om het "Menu" te openen en druk vervolgens op de toetsen Vorige/Omlaag ◀◀ (11) of Volgende/Omhoog ▶▶ (19) om "DRC" te selecteren.
2. Druk op de toets "Stop/Enter" (10) om de instelling "DRC" te openen en druk vervolgens op de Vorige/Omlaagtoets ◀◀ (11) of Volgende/Omhoogtoets ▶▶ (19) om de modus "DRC high/low/off" (DRC hoog/laag/uit) te selecteren. Druk vervolgens op de toets "Stop/Enter" (10) om uw instelling te bevestigen.
3. Druk in een willekeurige modus op de toets "Menu/Mem/clk-adj" (12) om de instellingsmodus te verlaten.

Taalinstelling

Dit apparaat stelt 4 talen beschikbaar voor de weergave in FM/DAB-modus.

1. Druk in DAB/FM-modus op de toets "Menu/Mem/clk-adj" (12) om het "Menu" te openen en druk vervolgens op de Vorige/Omlaagtoets ◀◀ (11) of Volgende/Omhoogtoets ▶▶ (19) om "System" (Systeem) te selecteren.
2. Druk op de toets "Stop/Enter" (10) om de instelling "System" (Systeem) te openen, druk vervolgens op de toets Vorige/Omlaag ◀◀ (11) of Volgende/Omhoog ▶▶ (19) om "Language" (Taal) te selecteren, druk op de toets "Stop/Enter" (10) om de taalmodus te openen en druk vervolgens op de toets Vorige/Omlaag ◀◀ (11) of Volgende/Omhoog ▶▶ (19) om de gewenste taal te kiezen uit de opties English/French/German/Italian (Engels/Frans/Duits/Italiaans). Druk vervolgens op de toets "Stop/Enter" (10) om uw instelling te bevestigen.
3. Druk in een willekeurige modus op de toets "Menu/Mem/clk-adj" (12) om de instellingsmodus te verlaten.

Voorkeuzezenders

U kunt to 20 radiostations opslaan in het geheugen (10-FM/10-DAB).

1. Stel het apparaat in op FM/DAB-modus
2. Stem af op de gewenste radiozender via de "handmatige" of "automatische" afstemmethode.
3. Houd de toets "Mem/clk-adj" (12) ingedrukt om de geheugenmodus te openen.
4. Druk op de toetsen Vorige/Omlaag ◀◀ (11) of Volgende/Omhoog ▶▶ (19) om het gewenste stationsgeheugen te selecteren voor de geheugenopslag.
5. Druk op de toets "Stop/Enter" (10) om uw instelling te bevestigen.
6. Herhaal stappen 2 tot 5 om andere zenders op te slaan.

Voorkeuzezenders oproepen

1. Stel het apparaat in op FM/DAB-modus
2. Druk op de Pre-up-toets (20) om de opgeslagen zenders te openen.
3. Druk op de toetsen Vorige/Omlaag ◀◀ (11) of Volgende/Omhoog ▶▶ (19) om de zender te selecteren die u wilt oproepen.
4. Druk nogmaals op de toets "Stop/Enter" (10) om het oproepen van de zender te bevestigen.

DAB/FM terugstellen:

Als u alle opgeslagen FM-/DAB-stations wilt wissen.

1. Stel het apparaat in op DAB- of FM-modus, druk op de toets "Menu/Mem/clk-adj" (12) om het "Menu" te openen en druk vervolgens op de toetsen Vorige/Omlaag ◀◀ (11) of Volgende/Omhoog ▶▶ (19) om "System" (Systeem) te selecteren.

2. Druk op de toets "Stop/Enter" (10) om de instelling "System" (Systeem) te openen en druk vervolgens op de toetsen Vorige/Omlaag **◀◀** (11) of Volgende/Omhoog **▶▶** (19) om "Factory reset" (Fabrieksinstelling) te selecteren. Druk vervolgens op de toets "Stop/Enter" (10) om de fabrieksinstelling te bevestigen.
3. Het apparaat zal vervolgens alle opgeslagen stations wissen.

CD/mp3-disks afspelen

- **Hoe te beginnen**

1. Druk op de functietoets (9) om de cd-modus te selecteren.
2. Druk op cd-klepje openen/sluiten (7) om het cd-klepje te openen. Plaats een cd-disk in de houder en sluit het cd-klepje.
3. Het apparaat zal de geplaatste disk nu scannen. Het totale aantal tracks wordt gelezen.

- **Start/Pauzmodus ▶||**

1. Druk in gestopte modus op de toets Start/Pauze **▶||** (18) om de eerste track af te spelen.
2. Als u tijdens het afspelen op de toets Start/Pauze **▶||** (18) drukt, dan zal het systeem op pauzmodus schakelen terwijl de pauze-indicator zal oplichten op de LCD-display (8). Druk nogmaals in om de normale afspeelmodus te hervatten.

- **Stopmodus ■**

1. Druk in afspeel- of pauzmodus op de toets Stop **■** (10). Het apparaat zal op stopmodus schakelen en het totale aantal tracks wordt weergegeven op de LCD-display (8).

- **Overslaanmodus (volgende/omhoog▶▶/vorige/omlaag ◀◀)**

1. Druk in de afspeelmodus op de toets Volgende/Omhoog **▶▶** (19) om naar de volgende track te gaan en het tracknummer weer te geven.
2. Druk in de afspeelmodus op de toets Vorige/Omlaag **◀◀** (11) om terug te keren naar het begin van de track, hetzelfde tracknummer.
3. Druk hierna nog een keer op de Vorige/Omlaagtoets **◀◀** (11) om naar de vorige track te gaan en deze vanaf het begin af te spelen.

- **Voor mp3-disks/bestanden**

1. Plaats de MP3-cd in de cd-houder. Nadat de disk is ingelezen, zal het totale aantal tracks op de LCD-display (8) worden weergegeven.
2. Druk op de Volgende/Omhoogtoets **▶▶** of Vorige/Omlaagtoets **◀◀** (11/19) om het gewenste tracknummer te selecteren.
3. Wanneer de gewenste track en het album is geselecteerd, kunt u op de toets "Start/Pauze **▶||**" (18) drukken om het afspelen te starten.

Opmerking

- Druk op de toets "Folder up **▲**" (20) op het apparaat om de volgende MP3-folder te selecteren.
- Het tracknummer zal op de LCD (8) worden weergegeven en deze track zal worden afgespeeld wanneer u op de toets Start/Pauze **▶||** (18) drukt.

- **Herhaalmodus/willekeurige afspeelmodus**

Druk tijdens het afspelen op de toets "Play mode" (21) om de herhaalfunctie en willekeurige afspeelmodus te selecteren, u kunt als volgt een enkele track, een enkele folder (alleen MP3) of alle tracks in verschillende modi afspelen: -

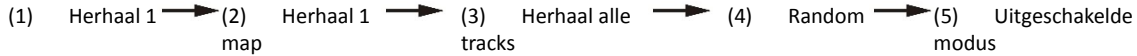
Voor CD

- (1) Herhaal 1 → (2) Herhaal alle tracks → (3) Random → (4) Uitgeschakelde modus



Afspeelmodus	Indicator op de lcd-display
Herhaal track	Rep 1
Herhaal alles	Rep A
Random	Rand
Uitgeschakelde modus	-----

Voor mp3-disks/bestanden



Afspeelmodus	Indicator op de lcd-display
Herhaal enkele track	Rep 1
Herhaal enkele map	Rep F
Herhaal alle tracks	Rep A
Random	Rand
Uitgeschakelde modus	-----

- **Herhaald afspelen**

U kunt met deze functie de gewenste tracks of folder herhalend afspelen.

- **Willekeurig afspelen**

U kunt met deze functie naar alle tracks luisteren in een willekeurige volgorde.

CD/mp3-disks programmeren

U kunt bij het gebruik van een disk tot 20 tracks programmeren om in elke volgorde af te spelen. Zorg ervoor op de Stoptoets te drukken voordat u deze functie gebruikt.

1. Stel het apparaat in op CD-modus.
2. Druk op de Geheugentoets (12) en "P01&T000" zal op de LCD-display (8) verschijnen.
3. Selecteer de gewenste track met de toetsen Volgende/Omhoog ►►/Vorige/Omlaag ◄◄ (19/11).
4. Druk op de Geheugentoets (12) om de track in het geheugen op te slaan.
5. Herhaal indien gewenst stappen 3 en 4 om meerdere tracks in het geheugen op te slaan.
6. Wanneer alle gewenste tracks zijn geprogrammeerd, kunt u op de toets "Start/Pauze ►►" (18) drukken om de disk in de geprogrammeerde volgorde af te spelen.
7. Druk op de toets "Stop ■" (10) om het afspelen van het programma te beëindigen.
 - Druk tweemaal op de toets "Stop ■" (10) in de cd-stopmodus om het hele geprogrammeerde geheugen te annuleren totdat de "Prog"-indicator verdwijnt van de lcd-display (8).
 - Voor mp3-disks/bestanden, druk op de toets "Folder up" (20) om de 1^{ste} track van de volgende map direct te selecteren en zo de trackselectie te versnellen.
 - De programmeermodus zal automatisch stoppen als u voor ca. 30 seconden op geen enkele toets drukt nadat u op de Geheugentoets (12) hebt gedrukt.

Opmerking: -

Formaatvereisten voor MP3-tracks: -

- Bitsnelheid: 32 kbps~320 kbps, samplesnelheid: 32 kHz, 44,1 kHz en 48 kHz decodeerbaar
- De prestatie van de afspelende MP3-disk hangt af van de opnamekwaliteit van de disk en de opnamemethode. Bovendien zijn vanwege de verschillende formaten de zoek- en laadtijden bij een mp3-disk langer dan bij een normale cd.

MP3-tracks afspelen via USB-opslagmedia

Verbinden

Het systeem kan alle MP3-bestanden decoderen en afspelen die zijn opgeslagen op de geheugenmedia aangesloten op de USB-poort.

1. Stel het systeem eerst in op de stand-by-modus of een willekeurige andere functie dan de USB-modus.
2. Sluit het USB-apparaat op de juiste wijze aan en controleer of deze volledig in de poort is gestoken.
 - **Als u een USB-apparaat ondersteboven of achterstevoren aansluit, dan kan het audiosysteem of de opslagmedia beschadigd raken. Controleer voor alle zekerheid of de richting correct is, vóór het aansluiten.**
3. Schakel het apparaat weer in door middel van de Aan/uittoets (17) en druk op de Functietoets (9) om USB-modus te selecteren. Het systeem zal na de aansluiting de opslagmedia automatisch beginnen te lezen en de lcd-display (8) zal het totaal aantal gevonden mp3-bestanden weergeven.
4. De afspeelprocedure is dezelfde als bij het afspelen van CD/MP3-disks hierboven.

Opmerking

- Het systeem kan bestanden detecteren en lezen in mp3-formaat, maar alleen in de USB-modus, maar geen andere muziekformaten.
- **Als u het systeem aansluit op een MP3-speler via de USB-poort, is het mogelijk dat bepaalde MP3-spelers niet via de USB-poort kunnen afspelen wegens de vele verschillen in systeemformaten. Dit duidt niet op een storing van het systeem.**
- **De USB-poort ondersteunt geen aansluiting met een USB-verlengsnoer en is niet ontworpen voor communicatie met een computer.**
- **Vanwege de vereisten van de ERP tweede fase en de bescherming van het milieu (alleen voor de Europese markt). Het apparaat zal automatisch op stand-by schakelen als er 15 minuten lang geen muziek wordt afgespeeld.**

Het verwijderen van de USB

Als u de USB-stick wilt verwijderen, schakel het apparaat dan eerst uit of stel deze in op cd- of tunermodus en trek de USB-stick vervolgens direct uit de poort.

Bluetooth verbinden en afspelen

1. Druk op de Functietoets (9) om de "BT/AUX"-modus te selecteren.
2. Als de AUX-ingang niet is aangesloten, dan zal het systeem automatisch op de BT-modus schakelen terwijl "BT" knippert of "Pairing" (Koppelen) op de LCD-display (8) wordt weergegeven. Dit betekent dat de Bluetooth-functie op de zoekmodus is ingesteld.
3. Schakel de Bluetooth-functie in van uw Bluetooth-apparaat (bijvoorbeeld een mobiele telefoon) en selecteer de Bluetooth-naam "Lenco SCD-690" om de verbinding tot stand te brengen.
4. De LCD-display (8) zal na een geslaagde verbinding "BT Connected" (BT verbonden) weergeven. Start het afspelen via uw Bluetooth-apparaat en geniet van de muziek.
5. Pas het volume aan tot op het gewenste niveau met de toets Volume Omhoog/Omlaag (14).
6. Schakel de Bluetooth-functie van uw Bluetooth-apparaat uit om de Bluetooth-verbinding te verbreken. De LCD-display zal nu "BT" weergeven terwijl "Pairing" (Koppelen) knippert om met een nieuw apparaat te worden gekoppeld of u kunt het apparaat nu uitschakelen.

Naar tapes luisteren

Algemene bediening

Stop/uitwerptoets	Druk op Stop om de cassetterwerking volledig te stoppen. Druk nogmaals op Stop om het cassettedeurtje te openen.
Vooruitspoeltoets en Terugspoeltoets	Indrukken om de tape vooruit of terug te spoelen. Druk op de Stop/uitwerptoets en de cassetterwerking stopt.
Starttoets	Druk op Start om de cassette af te spelen.
Pauzetoets	Druk op Pauze om de cassette tijdelijk te stoppen. Druk nogmaals in om het afspelen te hervatten.

Afspelen

- Selecteer "Tape" (Cassette) via de Functietoets (9)
- Plaats de cassette in het apparaat.
- Druk op de Starttoets ► om het afspelen te beginnen.
- Pas de Volumeknop (14) aan tot het gewenste volumeniveau.
- Gebruik de Pauzetoets ■■ wanneer u het afspelen tijdelijk wilt stoppen.
- Druk op de Stop/Uitwerptoets ■▲ wanneer u klaar bent met luisteren.

Overige eigenschappen

A. De alarmklok instellen

U kunt met deze functie het systeem automatisch laten inschakelen om u te wekken in de modus CD, FM/DAB, zoemer of USB. Stel het systeem in op de stand-by-modus, houd vervolgens de toets "Timer" ingedrukt om de Timerinstellingen te openen en de LCD zal "Timer On time" (Timer inschakeltijd) weergeven. De uuraanduiding van de wekker zal bovendien knipperen om aan te geven dat het apparaat gereed is om de timerinstellingen in te voeren.

- 1) De inschakeltijd instellen : Druk op de toetsen Volgende/Omhoog ►► of Vorige/Omlaag ◄◄ (19/11) om het uur in te stellen. Druk vervolgens op de Timer-toets (13) om de uren voor de inschakeltijd op te slaan. De minuten zullen nu knipperen en u kunt deze instellen door op de toetsen Volgende/Omhoog ►► of Vorige/Omlaag ◄◄ (19/11) te drukken. Druk vervolgens op de toets Timer (13) om de inschakeltijd voor de timer op te slaan
- 2) De uitschakeltijd instellen : Na de bovenstaande stap verschijnt er op de lcd-display "Timer Off" (Timer uit) en het uurscijfer zal knipperen. Druk op de Volgende/Omhoogtoets ►► of Vorige/Omlaagtoets ◄◄ (19/11) om de uren in te stellen. Druk vervolgens op de toets Timer (13) om de uren voor de uitschakeltijd in te stellen en de minuten zullen knipperen. Druk nu op de toetsen Volgende/Omhoog ►► of Vorige/Omlaag ◄◄ (19/11) om de minuten in te stellen. Druk vervolgens op de toets Timer (13) om de uitschakeltijd voor de timer op te slaan
- 3) Modus : Druk vervolgens op de toetsen Volgende/Omhoog ►► of Vorige/Omlaag ◄◄ (19/11) om de inschakelmodus voor de timer te selecteren. Druk vervolgens op de toets Timer (13) om de inschakelmodus voor de timer op te slaan. Druk op de toetsen Volgende/Omhoog ►► of Vorige/Omlaag ◄◄ (15/21) om het inschakelvolumen voor de timer te selecteren en druk op de toets Timer (13) om de timer-instelling af te ronden. Het apparaat zal terugkeren op stand-by en de display zal het timericoontje "⌚" weergeven.

De timerfunctie activeren/deactiveren (alleen in stand-by)

1. Druk eenmaal op de toets "Timer" om de timerfunctie te activeren en de timerindicator "⌚" zal op de LCD-display (2) verschijnen.

2. Druk nogmaals op de toets "Timer" om de timerfunctie te annuleren en de timerindicator "⌚" zal verdwijnen.

Opmerking: -

- Als er geen muziekbron wordt waargenomen (cd of USB) wanneer de ingestelde tijd is bereikt, zal het systeem standaard de "FM"-functie als wekmodus selecteren. Het systeem zal automatisch de radiofrequentie selecteren waar u het laatst naar luisterde voordat het apparaat was uitgeschakeld.
- Ook voor de FM-/DAB-wekmodus zal het systeem de radiofrequentie selecteren waar u het laatst naar luisterde voordat het apparaat was uitgeschakeld.
- Als u de zoemer als wekmodus hebt geselecteerd, dan zal het apparaat op de ingestelde tijd een pieptoon laten horen.
- U hebt ongeveer 4 seconden voor de alarminstellingen, het systeem zal automatisch terugkeren op de normale modus als u binnen dit tijdframe op geen enkele toets drukt.
- Terwijl het alarm klinkt, kunt u op de "Aan/Uittoets" (17) drukken om het systeem uit te schakelen.
- Wegens de beperkte grootte van de display, zal het timericoontje "⌚" niet op de LCD verschijnen wanneer het apparaat wordt gebruikt in FM-/DAB-modus

B. Aux-in-verbinding

Sluit het apparaat aan op andere apparatuur door de Aux-ingang (2) met een 3,5mm kabel (niet inbegrepen) aan te sluiten op een extern apparaat zoals een Diskman/MP3-speler om muziek af te spelen, de codeerfunctie te gebruiken, enz.

- 1) Selecteer de modus "BT/AUX" door op de Functietoets (9) te drukken en het apparaat zal automatisch op de "AUX IN"-modus schakelen vooropgesteld dat een Aux-ingangskabel is aangesloten.
- 2) Pas het volume aan tot op het gewenste niveau met de toets Volume Omhoog/Omlaag (14).
- 3) Start het afspelen via uw externe apparaat.

C. Hoofdtelefoon gebruiken

Steek de stekker van uw hoofdtelefoon in de Hoofdtelefoonuitgang om privé te kunnen luisteren.

LEES DEZE BELANGRIJKE INFORMATIE VOORDAT U UW HOOFDTELEFOON GEBRUIKT

- 1) Vermijd langdurig afspelen bij een zeer hoog volume omdat dit uw gehoor kan beschadigen.
- 2) Als u een pieptonen in uw oren hoort, verlaag dan het volume of schakel uw apparaat uit.
- 3) Houd het volume op een redelijk niveau zodat u nog steeds omgevingsgeluiden kunt horen.

SPECIFICATIES

LICHTNETSTROOM	AC 230 V~, 50 Hz
RADIOFREQUENTIE	FM 87,5-108 MHz DAB: 174,928-239,2 MHz
BLUETOOTH-VERSIE	V2.1

OPMERKING: Wegens de vereisten van ERP-klasse 2 en om het milieu te beschermen, zal het apparaat automatisch op stand-by schakelen als er 15 minuten lang geen muziek wordt afgespeeld.

Garantie

Lenco biedt service en garantie aan overeenkomstig met de Europese wetgeving. Dit houdt in dat u, in het geval van reparaties (zowel tijdens als na de garantieperiode), uw lokale handelaar moet contacteren.

Belangrijke opmerking: Het is niet mogelijk om producten die moeten worden gerepareerd rechtstreeks naar Lenco te sturen.

Belangrijke opmerking: De garantie verloopt als een onofficieel servicecenter het apparaat op wat voor manier dan ook heeft geopend, of er toegang toe heeft gekregen.

Het apparaat is niet geschikt voor professioneel gebruik. In het geval van professioneel gebruik worden alle garantieverplichtingen van de fabrikant nietig verklaard.

Disclaimer

Er worden regelmatig updates in de firmware en/of hardwarecomponenten gemaakt. Daardoor kunnen gedeelten van de instructie, de specificaties en afbeeldingen in deze documentatie enigszins verschillen van uw eigen situatie. Alle onderwerpen die staan beschreven in deze handleiding zijn bedoeld als illustratie en zijn niet van toepassing op specifieke situaties. Aan de beschrijving in dit document kunnen geen rechten worden ontleend.

Afvoer van het oude apparaat



Dit symbool geeft aan dat het betreffende elektrische product of de accu/batterij niet mag worden verwijderd als algemeen huishoudelijk afval in Europa. Zorg voor een juiste afvalverwerking door het product en de accu/batterij in overeenstemming met alle van toepassing zijnde lokale wetten voor het verwijderen van elektrische apparatuur of accu's/batterijen te verwijderen. Als u dit doet, helpt u de natuurlijke hulpbronnen te behouden en de standaard van milieubescherming te verbeteren bij de behandeling en verwijdering van elektrisch afval (Afgedankte Elektrische en Elektronische Apparatuur).

CE-markering

Lenco Benelux B.V., Thermiekstraat 1a, 6361 HB Nuth, Nederland, verklaart hierbij dat dit product voldoet aan de vereisten van de essentiële EU-richtlijnen.

De verklaring van conformiteit kan worden aangevraagd via techdoc@commaxxgroup.com



Service

Bezoek voor meer informatie en helpdeskondersteuning www.lenco.com

Lenco Benelux BV, Thermiekstraat 1a, 6361 HB, Nederland.

ACHTUNG:

Eine andere als die hier beschriebene Bedienung, Einstellung oder Verwendung der Funktionen kann zu gefährlicher Strahlenbelastung führen.

VORSICHTSMASSNAHMEN VOR DER BENUTZUNG**BEFOLGEN SIE IMMER FOLGENDE ANWEISUNGEN:**

1. Blockieren oder bedecken Sie keine Lüftungsöffnungen. Wenn Sie das Gerät auf ein Regal stellen, lassen Sie um das gesamte Gerät 5 cm (2") freien Platz.
2. Stellen Sie das Gerät entsprechend den Anweisungen der mitgelieferten Bedienungsanleitung auf.
3. Halten Sie das Gerät von Hitzequellen wie Radiatoren, Heizern, Öfen, Kerzen oder anderen hitzeerzeugenden Produkten oder offenen Flammen fern. Das Gerät darf nur bei gemäßigttem Klima verwendet werden. Sehr kalte oder heiße Umgebungen sind zu vermeiden. Der Betriebstemperaturbereich liegt zwischen 0 °C und 35 °C.
4. Meiden Sie bei der Nutzung des Produkts die Nähe starker Magnetfelder.
5. Elektrostatische Entladungen können die normale Verwendung von diesem Gerät stören. Sollte dies geschehen, führen Sie einfach einen Reset aus und starten Sie dann das Gerät entsprechend den Anweisungen dieser Bedienungsanleitung neu. Gehen Sie besonders bei Datenübertragungen mit dem Gerät vorsichtig um und führen Sie diese nur in einer antielektrostatischen Umgebung aus.
6. Warnung! Niemals Gegenstände durch die Lüftungsschlitze oder Öffnungen in das Gerät stecken. In diesem Gerät fließt Hochspannung und das Hineinstecken von Gegenständen kann zu elektrischem Schock und/oder Kurzschluss interner elektrischer Bauteile führen. Aus dem gleichen Grund kein Wasser oder Flüssigkeiten in das Gerät geben.
7. Benutzen Sie das Gerät nicht in nasser oder feuchter Umgebung wie Bad, Dampfküche oder in der Nähe von Schwimmbecken.
8. Das Gerät darf weder Tropf- noch Spritzwasser ausgesetzt werden und es dürfen keine mit Flüssigkeit gefüllten Behälter wie z.B. Vasen auf das Gerät oder in der Nähe des Gerätes gestellt werden.
9. Benutzen Sie das Gerät nicht bei Kondensationsgefahr. Wenn Sie das Gerät in einem warmen feuchten Raum benutzen, dann können sich im Inneren des Geräts Wassertropfen oder Kondensationen bilden und zu Fehlfunktionen des Geräts führen. Schalten Sie in diesem Fall das Gerät für 1 – 2 Stunden aus, bevor Sie es erneut einschalten: Das Gerät sollte vollständig getrocknet sein, wenn Sie es wieder einschalten.
10. Obwohl dieses Gerät unter größter Sorgfalt und vor Auslieferung mehrmals überprüft wurde, können trotzdem wie bei jedem anderen elektrischen Gerät auch Probleme auftauchen. Trennen Sie das Gerät im Falle einer Rauchentwicklung, starker Hitzeentwicklung oder jeden anderen unnatürlichen Erscheinung sofort vom Netz.
11. Dieses Gerät ist durch eine Stromquelle wie auf dem Typenschild angegeben zu betreiben. Halten Sie bei Unsicherheiten über die Art Ihrer Stromversorgung in Ihrer Wohnung Rücksprache mit Ihrem Händler oder Ihrer Stromzuliefererfirma.
12. Halten Sie es von Haustieren fern. Einige Nagetiere lieben es, an Netzkabeln zu nagen.
13. Benutzen Sie für die Reinigung ein weiches und trockenes Tuch. Benutzen Sie niemals Lösungsmittel oder Flüssigkeiten auf Ölbasis. Benutzen Sie zum Entfernen hartnäckiger Flecken ein feuchtes Tuch mit mildem Reinigungsmittel.
14. Der Hersteller haftet nicht für Schäden oder Verluste durch Fehlfunktion, Zweckentfremdung oder Modifikation des Geräts oder durch Wechseln der Batterien.
15. Unterbrechen Sie die Verbindung nicht während einer Formatierung oder einer Datenübertragung. Bei Unterbrechung drohen Datenverlust und Datenbeschädigung.
16. Wenn das Gerät eine USB-Wiedergabefunktion besitzt, dann stecken Sie den USB-Stick direkt in das Gerät. Verwenden Sie kein USB-Verlängerungskabel, weil die erhöhte Störungsanfälligkeit zu Datenverlust führen könnte.
17. Das Typenschild befindet sich an der Unter- oder Rückseite des Geräts.

18. Dieses Gerät ist nicht zur Benutzung durch Personen (einschließlich Kinder) mit physischen, sensorischen oder mentalen Beeinträchtigungen oder ohne ausreichender Erfahrung vorgesehen, es sei denn, sie werden durch eine verantwortliche Person beaufsichtigt oder wurden in die ordnungsgemäße Bedienung des Gerätes durch eine für ihre Sicherheit verantwortliche Person eingewiesen.
19. Dieses Produkt ist nur für den nicht-professionellen Gebrauch und nicht für gewerbliche oder industrielle Zwecke bestimmt.
20. Stellen Sie sicher, dass das Gerät in einer stabilen Position aufgestellt ist. Schäden aufgrund Verwendung dieses Produkts in einer instabilen Position, Vibrationen, Stöße oder Nichtbeachtung der anderen in dieser Bedienungsanleitung enthaltenen Warnungen und Sicherheitshinweise werden nicht durch die Garantie abgedeckt.
21. Entfernen Sie niemals das Gehäuse dieses Produkts.
22. Stellen Sie das Produkt niemals auf andere elektrische Geräte.
23. Halten Sie Kinder von den Plastiktüten fern.
24. Benutzen Sie nur vom Hersteller spezifizierte Erweiterungen/Zubehörteile.
25. Lassen Sie alle Eingriffe von qualifiziertem Servicepersonal ausführen. Eingriffe werden notwendig, wenn das Gerät auf irgendeine Weise wie beispielsweise am Netzkabel oder am Netzstecker beschädigt wurde, Flüssigkeit in das Gerät eingedrungen ist, Gegenstände in das Gerät gefallen sind, das Gerät Regen oder Feuchtigkeit ausgesetzt war, es heruntergefallen ist oder nicht ordnungsgemäß funktioniert.
26. Langes Hören lauter Töne aus einem Musikgerät kann zum zeitweiligen oder permanenten Hörverlust führen.
27. Wenn zum Lieferumfang des Produkts ein Netzkabel oder ein Netzadapter gehört:
 - Wenn irgendwelche Probleme auftreten, dann ziehen Sie den Netzstecker aus der Netzsteckdose und setzen Sie sich anschließend mit einer qualifizierten Fachkraft in Verbindung.
 - Treten Sie nicht auf das Netzteil und klemmen Sie es auch nicht ein. Geben Sie besonders im näheren Bereich des Steckers und der Stelle acht, wo das Kabel aus dem Gerät herausgeführt wird. Stellen Sie keine schweren Gegenstände auf das Netzteil, weil es dadurch beschädigt werden könnte. Halten Sie das gesamte Gerät außerhalb der Reichweite von Kindern! Durch Spielen mit dem Netzkabel können sie sich ernsthafte Verletzungen zuziehen.
 - Trennen Sie das Gerät während eines Gewitters oder bei längerer Nichtbenutzung vom Netz.
 - Die Wandsteckdose muss sich in der Nähe des Geräts befinden und einfach zu erreichen sein.
 - Steckdosen und Verlängerungsleitungen nicht überlasten. Eine Überlastung kann zu Brandgefahr bzw. Stromschlag führen.
 - Geräte der Schutzklasse 1 sind an eine Netzsteckdose mit Schutzleiter anzuschließen.
 - Geräte der Schutzklasse 2 benötigen keinen Schutzleiteranschluss.
 - Halten Sie den Netzstecker in der Hand, wenn Sie ihn aus der Netzsteckdose ziehen. Ziehen Sie ihn nicht durch Zerren am Kabel heraus. Das kann zu einem Kurzschluss führen.
 - Verwenden Sie weder ein beschädigtes Netzkabel noch einen beschädigten Stecker oder eine lockere Steckdose. Es besteht Brand- und Stromschlaggefahr.
28. Wenn das Produkt mit einer Fernbedienung mit Batterien/Knopfzellen geliefert wird oder das Produkt eine derartige Fernbedienung umfasst:

Warnung:

 - „Die Batterie nicht einnehmen, er besteht Verätzungsgefahr“.
 - [Die mit diesem Produkt mitgelieferte Fernbedienung] enthält eine Knopfbatterie. Das Verschlucken der Batterie kann innerhalb von nur 2 Stunden zu schwersten inneren Verbrennungen mit Todesfolge führen.
 - Halten Sie neue und gebrauchte Batterien von Kindern fern.
 - Verwenden Sie dieses Produkt nicht weiter und halten Sie es von Kindern fern, wenn das Batteriefach nicht sicher schließt.
 - Suchen Sie umgehend ärztliche Hilfe auf, wenn Sie vermuten, dass Batterien verschluckt oder in Körperöffnungen eingeführt wurden.

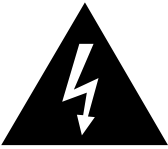

29. Warnhinweise bzgl. der Verwendung von Batterien:

- Es besteht Explosionsgefahr, wenn die Batterien nicht korrekt eingelegt werden. Nur mit Batterien des gleichen oder entsprechenden Typs ersetzen.
- Die Batterie darf während der Benutzung, Aufbewahrung oder des Transports weder sehr hohen oder sehr niedrigen Temperaturen noch niedrigem Luftdruck in großen Höhenlagen ausgesetzt werden.
- Die Ersetzung der Batterie mit einem falschen Batterietyp kann zum Explodieren der Batterie oder dem Auslaufen von entflammbarem Gas oder entflammbarer Flüssigkeit aus der Batterie führen.
- Die Entsorgung der Batterie in Feuer oder einem heißen Ofen oder das mechanische Zerkleinern oder Zerteilen der Batterie kann zu Explosionen führen.
- Das Verbleiben der Batterie in einer Umgebung mit sehr hohen Temperaturen kann zum Explodieren der Batterie oder dem Auslaufen von entflammbarem Gas oder entflammbarer Flüssigkeit führen.
- Eine einem sehr niedrigen Luftdruck ausgesetzte Batterie kann explodieren oder es kann aus einer einem sehr niedrigen Luftdruck ausgesetzten Batterie entflammbares Gas oder entflammbare Flüssigkeit auslaufen.
- Augenmerk ist auf den ökologischen Aspekt der Batterieentsorgung zu legen.

ANSCHLUSS

- Packen Sie alle Teile aus und entfernen Sie danach die Schutzmaterialien.
- Schließen Sie das Gerät nicht eher an das Netz an, bevor Sie die Netzspannung überprüft haben und alle anderen notwendigen Verbindungen hergestellt sind.

*** Diese Anleitungen gelten nur für Produkte, die ein Netzkabel oder ein AC-Netzteil verwenden.**

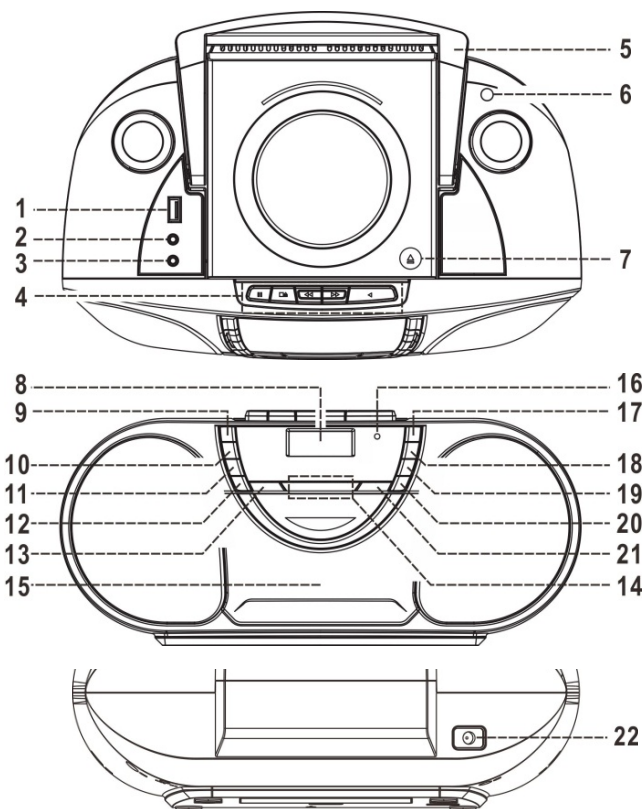
 <p>Das Warnzeichen „Blitz mit Pfeil im Dreieck“ warnt vor gefährlichen Spannungen im Inneren des Produkts.</p>	<p>ACHTUNG</p> <p>STROMSCHLAGGEFAHR NICHT ÖFFNEN</p> <p>ACHTUNG: NIEMALS DIE ABDECKUNG (ODER RÜCKSEITE) DES GERÄTS ÖFFNEN, UM DIE GEFAHR EINES ELEKTRISCHEN SCHOCKS ZU VERRINGERN. KEINE DURCH DEN ANWENDER WARTBAREN TEILE IM INNEREN DES GERÄTS. LASSEN SIE DAS GERÄT DURCH QUALIFIZIERTES FACHPERSONAL WARTEN.</p>	 <p>Das Hinweissymbol „Ausrufezeichen im Dreieck“ kennzeichnet wichtige Anweisungen bezüglich des Produkts</p>
--	---	---



**LASERPRODUKT DER
KLASSE 1**

BEDIENELEMENTE

- 1) USB-Port
- 2) AUX-Eingang
- 3) 3,5-mm-Kopfhörerbuchse
- 4) Kassettenfunktionstasten
- 5) Griff
- 6) FM-Antenne
- 7) CD-Fach öffnen/schließen
- 8) LCD-Anzeige
- 9) Funktionstaste
- 10) Stopp-■/Enter-Taste
- 11) Abwärts-springen/abstimmen
⏮-Taste
- 12) Menü/Speicher/
Uhrzeit-einstellen-Taste
- 13) Timer-Taste
- 14) Lautstärke-anheben/verringern-Taste
- 15) Kassettenfachtür
- 16) Standby-LED
- 17) Ein/Aus-Taste
- 18) Wiedergabe/Pause ▶||/Scannen-Taste
- 19) Aufwärts-springen/abstimmen
▶▶-Taste
- 20) Vorheriger-Titel/Verzeichnis-aufwärts
▲-Taste
- 21) Info/Wiedergabemodus-Taste
- 22) DC-Buchse



Achtung:

Eine andere als die hier beschriebene Verwendung der Bedienung oder Prozeduren kann zu gefährlicher Strahlenbelastung führen.

Dieses Gerät darf nur von qualifizierten Fachkräften und niemand anderem repariert oder eingestellt werden.

Wichtig:

Schalten Sie dieses Gerät während des Betriebs anderer Radiogeräte aus, weil empfindliche Schaltkreise anderer sich in der Nähe befindlichen Radiotuner gestört werden könnten.

Ziehen Sie bitte den Netzstecker aus der Netzsteckdose, wenn aufgrund der Komplexität der MCU-Steuerung das Gerät während seiner Verwendung nicht mehr reagiert! Hierbei handelt es sich nicht um eine Fehlfunktion des Geräts!

Vorsichtsmaßnahmen beim Gebrauch

Anschluss

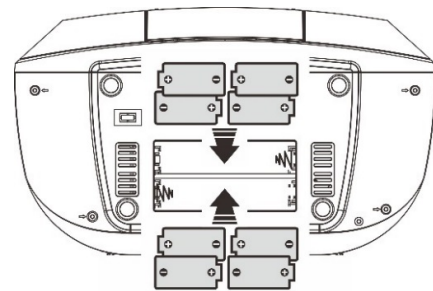
- Packen Sie alle Teile aus und entfernen Sie danach die Schutzmaterialien.
- Schließen Sie das Gerät nicht eher an das Netz an, bevor Sie die Netzspannung überprüft haben und alle anderen notwendigen Verbindungen hergestellt sind-
- Bedecken Sie die Lüftungsschlitze nicht und vergewissern Sie sich, dass um das Gerät herum einige Zentimeter Platz für die Kühlung gelassen wurden.

Anschließen

1. Verbinden Sie den DC-Stecker des mitgelieferten AC/DC-Adapters mit der DC-Buchse (22) und schließen den AC/DC-Adapter dann an einer Steckdose an.
2. Wenn Sie das Gerät das erste Mal ans Stromnetz anschließen, dann wechselt es in den Standby-Modus. Daraufhin leuchtet die Standby-LED.
3. Schalten Sie das Gerät durch Drücken der Taste „On/Standby“ (17) ein. Wenn die LCD-Anzeige (8) mit Hintergrundbeleuchtung eingeschaltet ist, dann weist dies darauf hin, dass die Stromversorgung ordnungsgemäß ist. Das Gerät ist nun bereit, Musik wiederzugeben.

Batteriebetrieb

Legen Sie für den Batteriebetrieb bitte 8 Batterien der Größe C (UM-2) im Batteriefach ein und ziehen Sie dann den Netzstecker aus der Netzsteckdose. Ziehen Sie danach das Netzkabel vom Gerät ab. Bitte entfernen Sie alle Batterien wieder, wenn Sie das Gerät wieder an die Netzsteckdose anschließen. Es ist empfehlenswert, alle Batterien aus dem Radio zu entfernen, wenn Sie es für längere Zeit nicht benutzen.



Einstellen der Uhr

1. Wechseln Sie in den Standby-Modus.
 2. Wenn Sie die Taste „Menu/Mem/clk-adj“ (12) gedrückt halten, dann beginnt die Stundenstelle auf der LCD-Anzeige (8) zu blinken. Drücken Sie die Abwärts-springen-Taste ◀◀ (11) oder Aufwärts-springen-Taste ▶▶ (19), um die richtige Stunde einzustellen. Drücken Sie die Taste „Menu/Mem/clk-adj“ (12), um die Stunden zu speichern. Daraufhin blinkt die Minutenstelle.
 3. Drücken Sie zur Einstellung der genauen Minuten die Abwärts-springen-Taste ◀◀ (11) oder die Aufwärts-springen-Taste ▶▶ (19).
 4. Drücken Sie die Taste „Menu/Mem/clk-adj“ (12), um die Minuten zu speichern.
- **Wenn Sie das Gerät vom Netz trennen, wird die eingestellte Uhrzeit vollständig rückgesetzt. Es wird Ihnen empfohlen, das Gerät aus Zwecken der Benutzerfreundlichkeit in den Standby-Modus zu schalten.**
 - **Die Uhrzeit wird automatisch mit der RDS/DAB-Uhrzeit synchronisiert, sobald ein RDS/DAB-Signal empfangen wird und die Uhrzeit nicht manuell eingestellt wurde.**

Radiowiedergabe

Bedienung

Manuelles Abstimmen

1. Schalten Sie das Gerät mittels der Ein/Aus-Taste (17) ein. Drücken Sie anschließend die Funktionstaste (9) solange, bis Sie in den Modus „FM“ (FM) gelangen.
2. Drücken Sie zur Einstellung des von Ihnen gewünschten Radiosenders die Abwärts-springen-Taste **◀◀** (11) oder die Aufwärts-springen-Taste **▶▶** (19).
3. Stellen Sie mit der Lautstärke-anheben/verringern-Taste (14) den gewünschten Lautstärkepegel ein.

Automatisches Abstimmen

1. Wechseln Sie in den FM-Modus.
2. Wenn Sie die Automatisch-scannen-Taste (18) einmal drücken, dann sucht das Gerät solange aufwärts nach Radiosendern, bis ein Radiosender gefunden wird. Wenn Sie die Abwärts-abstimmen-Taste (11) einmal und anschließend die Automatisch-scannen-Taste (18) drücken, dann sucht das Gerät abwärts nach Radiosendern. Wenn das Gerät ein Radiodatensystemsignal (RDS-Signal) empfängt, dann stellt es die Uhrzeit automatisch ein.
3. Stellen Sie die gewünschte Lautstärke mit der Lautstärke-erhöhen/verringern-Taste (14) ein.

FM-Sendersuchlaufeinstellung

Bei der automatischen Sendersuche werden u.U. viele schwache Radiosender gefunden. Durch Auswahl von „Strong station only“ (nur starke Radiosender) können alle **schwachen** Radiosender ausgefiltert werden.

1. Drücken Sie im FM-Modus die Taste „Menu/Mem/clk-adj“ (12), um in das „Menü“ zu gelangen. Drücken Sie anschließend zur Auswahl von „Scan setting“ (Sendersuchlaufeinstellung) die Abwärts-springen-Taste **◀◀** (11) oder Aufwärts-springen-Taste **▶▶** (19).
2. Drücken Sie die Taste „Stop/Enter“ (10), um zu „Scan setting“ (Sendersuchlaufeinstellung) zu wechseln. Drücken Sie danach die Abwärts-springen-Taste **◀◀** (11) oder die Aufwärts-springen-Taste **▶▶** (19), um „Strong station only“ (nur starke Radiosender) auszuwählen. Drücken Sie anschließend die Taste „Stop/Enter“ (10), um Ihre Einstellungen zu bestätigen.
3. Führen Sie das oben beschriebene automatische Abstimmen erneut aus.

Empfang von FM und FM-Stereo

- Standardmäßig gibt das Gerät die FM-Radiosender in Mono wieder. Deshalb ist es notwendig, beim Empfang eines FM-Stereosignals den FM-Stereomodus auszuwählen, indem Sie die Menütaste (12) und anschließend für die Auswahl von „Audio setting“ (Audioeinstellungen) die Abwärts-springen-Taste **◀◀** (11) oder Aufwärts-springen-Taste **▶▶** (19) drücken. Drücken Sie nun die Enter-Taste (10) und erneut für die Auswahl von „FM stereo“ (FM-Stereo) die Abwärts-springen-Taste **◀◀** (11) oder Aufwärts-springen-Taste **▶▶** (19). Bestätigen Sie abschließend Ihre Auswahl durch Drücken der Enter-Taste (10). Wenn das Stereosignal schwach und verrauscht ist: In diesem Fall ist es besser, den FM-Modus auf die gleiche Weise wie oben beschrieben auf Mono zu stellen.

Tipps für den besten Empfang: –

FM: Der Empfänger besitzt auf der Rückseite des Geräts eine Teleskopantenne (6). Für den besten Empfang sollte diese vollständig herausgezogen werden.

Radiodatensystem (RDS)

Diese Funktion dient der Anzeige von Informationen auf der LCD-Anzeige, die vom Radiosender bereitgestellt werden. Die Anzeige erfolgt nacheinander in nachfolgender Reihenfolge durch mehrmaliges Drücken der Wiedergabemodus/Info-Taste (21):

Radiotext → Programmart → Frequenz → Mono/Stereo → Uhrzeit → Datum.

DAB-Radio (DAB: Digitale Audioausstrahlung)

1. Wechseln Sie durch Drücken der Funktionstaste (9) in den DAB-Modus.
2. Wenn Sie die Wiedergabe/Pause ►||/Scan-Taste (18) einmal drücken, dann beginnt das Gerät mit einem vollständigen Scan im Bereich 11b – 12d. Drücken Sie für die Auswahl Ihres gewünschten DAB-Kanals die Abwärts-springen-Taste ◀◀ (11) oder Aufwärts-springen-Taste ▶▶ (19). Drücken Sie anschließend für die Bestätigung des ausgewählten Kanals die Taste „Stop/Enter“ (10).
3. Drücken Sie für die Anzeige der durch DAB in nachstehender Reihenfolge bereitgestellten Informationen mehrmals die Wiedergabemodus/Info-Taste (21):
Signalstärke → Programmtyp → Gruppenname → Frequenz → Signalfehler → Übertragungsrate → Uhrzeit → Datum.
4. Stellen Sie die gewünschte Lautstärke mit der Lautstärke-verringern/anheben-Taste (14) ein.

Dynamikbereichkompression

Dieses Gerät besitzt drei verschiedene Dynamikbereichsmodi, um den unterschiedlichen Programmarten im DAB-Modus gerecht zu werden.

1. Drücken Sie im DAB-Modus die Taste „Menu/Mem/clk-adj“ (12), um zu „Menü“ zu wechseln. Drücken Sie anschließend für die Auswahl von „DRC“ (Dynamikbereichkompression) die Abwärts-springen-Taste ◀◀ (11) oder die Aufwärts-springen-Taste ▶▶ (19).
2. Drücken Sie die Taste „Stop/Enter“ (10), um zu den Einstellungen für „DRC“ (Dynamikbereichkompression) zu gelangen und danach durch Drücken der Abwärts-springen-Taste ◀◀ (11) oder der Aufwärts-springen-Taste ▶▶ (19) einen der Modi „DRC high/low/off“ (Dynamikbereichkompression stark/schwach/aus) auszuwählen. Drücken Sie anschließend die Taste „Stop/Enter“ (10), um Ihre Einstellungen zu bestätigen.
3. Der Einstellungsmodus kann jederzeit durch Drücken der Taste „Menu/Mem/clk-adj“ (12) beendet werden.

Einstellen der Sprache

Dieses Gerät stellt 4 Anzeigesprachen für die FM/DAB-Bedienung bereit.

1. Drücken Sie im DAB/FM-Modus die Taste „Menu/Mem/clk-adj“ (12), um zu „Menü“ zu wechseln. Drücken Sie anschließend die Abwärts-springen-Taste ◀◀ (11) oder Aufwärts-springen-Taste ▶▶ (19), um „System“ (System) auszuwählen.
2. Drücken Sie die Taste „Stop/Enter“ (10), um zu den Einstellungen von „System“ (System) zu wechseln. Drücken Sie dann die Abwärts-springen-Taste ◀◀ (11) oder die Aufwärts-springen-Taste ▶▶ (19), um „Language“ (Sprache) auszuwählen. Drücken Sie anschließend die Taste „Stop/Enter“ (10), um in den Sprachauswahlmodus zu wechseln. Drücken Sie hier die Abwärts-springen-Taste ◀◀ (11) oder die Aufwärts-springen-Taste ▶▶ (19), um Ihre bevorzugte Sprachen aus den Sprachen English/French/German/Italian (Englisch/Französisch/Deutsch/Italienisch) auszuwählen. Drücken Sie anschließend die Taste „Stop/Enter“ (10), um Ihre Einstellungen zu bestätigen.
3. Der Einstellungsmodus kann jederzeit durch Drücken der Taste „Menu/Mem/clk-adj“ (12) beendet werden.

Senderspeicherplätze

Sie können im Speicher bis zu 20 Radiosender (10 FM/10 DAB) speichern.

1. Wechseln Sie in den FM/DAB-Modus.
2. Stellen Sie den von Ihnen gewünschten Radiosender über die Abstimmethode „Manuell“ oder „Automatisch“ ein.
3. Halten Sie die Taste „Mem/clk-adj“ (12) gedrückt, um in den Speichermodus zu wechseln.
4. Wählen Sie den gewünschten Speicherplatz für den Sender durch Drücken der Abwärts-springen-Taste ◀◀ (11) oder der Aufwärts-springen-Taste ▶▶ (19) aus.
5. Drücken Sie die Taste „Stop/Enter“ (10), um Ihre Einstellungen zu bestätigen.
6. Wiederholen Sie die Schritte 2 bis 5, um weitere Radiosender zu speichern.

Abruf gespeicherter Radiosender

1. Wechseln Sie in den FM/DAB-Modus.
2. Drücken Sie die Vorheriger-Titel/Verzeichnis-aufwärts-Taste (20), um gespeicherte Radiosender abzurufen.

3. Drücken Sie zur Auswahl des gewünschten gespeicherten Radiosenders die Abwärts-springen-Taste **⏮** (11) oder die Aufwärts-springen-Taste **⏭** (19).
4. Drücken Sie die Taste „Stop/Enter“ (10), um den gespeicherten Radiosender zu bestätigen.

DAB/FM rücksetzen:

Wenn Sie alle gespeicherten FM/DAB-Radiosender löschen möchten:

1. Drücken Sie im DAB- oder FM-Modus die Taste „Menu/Mem/clk-adj“ (12), um zu „Menü“ zu wechseln. Drücken Sie anschließend für die Auswahl von „System“ (System) die Abwärts-springen-Taste **⏮** (11) oder die Aufwärts-springen-Taste **⏭** (19).
2. Drücken Sie die Taste „Stop/Enter“ (10), um zu den Einstellungen von „System“ (System) zu wechseln. Drücken Sie danach die Springen-abwärts-Taste **⏮** (11) oder die Springen-aufwärts-Taste **⏭** (19), um „Factory reset“ (Rücksetzen auf Werkseinstellung) auszuwählen. Drücken Sie anschließend die Taste „Stop/Enter“ (10), um das Rücksetzen auf Werkseinstellung zu bestätigen.
3. Anschließend löscht das Gerät alle gespeicherten Radiosender.

CD/MP3-Wiedergabe

- **Erste Schritte**

1. Drücken Sie die Funktionstaste (9), um den CD-Modus auszuwählen.
2. Öffnen Sie das CD-Fach durch Drücken der CD-Fach-öffnen/schließen-Taste (7). Legen Sie eine CD ein und schließen Sie das CD-Fach wieder.
3. Wenn eine CD eingelegt ist, dann wird eine Suche ausgeführt. Die Gesamttitelzahl wird eingelesen.

- **Wiedergabe/Pause-Modus** **⏸**

1. Wenn Sie während der gestoppten Wiedergabe die Wiedergabe/Pause-Taste **⏸** (18) drücken, dann beginnt die Wiedergabe mit dem ersten Titel.
2. Wenn Sie während der Wiedergabe die Wiedergabe/Pause-Taste **⏸** (18) drücken, dann wechselt das Gerät in den Pausemodus, woraufhin die Pause-LED der LCD-Anzeige (8) leuchtet. Drücken Sie diese Taste erneut, um die Wiedergabe fortzusetzen.

- **Stopp-Modus** **■**

1. Wenn Sie während der Wiedergabe oder bei pausierter Wiedergabe die Stopp-Taste **■** (10) drücken: Das Gerät wechselt in den Stopp-Modus und zeigt auf der LCD-Anzeige (8) die Gesamttitelzahl an.

- **Überspring-Modi (Aufwärts springen **⏭**/Abwärts springen **⏮**)**

1. Wenn Sie während der Wiedergabe die Aufwärts-springen-Taste **⏭** (19) drücken, dann springt die Wiedergabe zum nächsten Titel und es wird dessen Titelnummer in der LCD-Anzeige angezeigt.
2. Wenn Sie während der Wiedergabe die Abwärts-springen-Taste **⏮** (11) drücken, dann springt die Wiedergabe zum Anfang des aktuellen Titels und die in der LCD-Anzeige angezeigte Titelnummer bleibt unverändert.
3. Wenn Sie nach Schritt 2 die Abwärts-springen-Taste **⏮** (11) erneut drücken, dann springt die Wiedergabe zum vorhergehenden Titel und die Wiedergabe dieses Titels wird gestartet.

- **MP3-CDs/Dateien**

1. Legen Sie eine MP3-CD im CD-Fach ein. Nach dem Einlesen wird die Gesamttitelzahl auf der LCD-Anzeige (8) angezeigt.
2. Drücken Sie zur Auswahl der Titelnummer die Abwärts-springen-Taste **⏮** (11) oder die Aufwärts-springen-Taste **⏭** (19).
3. Drücken Sie nach Auswahl des gewünschten Titels/Albums die „Wiedergabe/Pause-Taste **⏸**“ (18), um die Wiedergabe zu starten.

Hinweis

- Drücken Sie am Gerät die Taste „Folder up ▲“ (20), um das nächste MP3-Verzeichnis aufsteigend auszuwählen.
- Auf der LCD-Anzeige (8) wird die Titelnummer angezeigt, die wiedergegeben wird, wenn Sie die Wiedergabe/Pause-Taste ►|| (18) drücken.

• Wiederholungsmodus/Zufallswiedergabe

Drücken Sie während der Wiedergabe die Taste „Play mode“ (21), um eine der Wiederholungs- und Zufallsfunktionen für einen Einzeltitel, für ein Einzelverzeichnis (nur MP3) oder für alle Titel in den nachfolgend aufgeführten Modi auszuwählen: –

Für CD

- (1) Einzeltitelwiederholung → (2) Wiederholung aller Titel → (3) Zufallswiedergabe → (4) Deaktiviert



Wiedergabemodus	Anzeige auf der LCD-Anzeige
Einzeltitelwiederholung	Rep 1
Wiederholung aller Titel	Rep A
Zufallswiedergabe	Rand
Deaktiviert	-----

MP3-CDs/Dateien

- (1) Einzeltitelwiederholung → (2) Einzelverzeichnisswiederholung → (3) Wiederholung aller Titel → (4) Zufallswiedergabe → (5) Deaktiviert

Wiedergabemodus	Anzeige auf der LCD-Anzeige
Einzeltitelwiederholung	Rep 1
Einzelverzeichnisswiederholung	Rep F
Wiederholung aller Titel	Rep A
Zufallswiedergabe	Rand
Deaktiviert	-----

• Wiederholte Wiedergabe

Sie können durch Benutzen dieser Funktion die gewünschten Titel oder Verzeichnisse mehrmals hintereinander anhören.

• Zufallswiedergabe

Sie können durch Benutzen dieser Funktion alle Titel in zufälliger Reihenfolge wiedergeben lassen.

Programmieren von CDs/MP3-CDs

Für die CD-Wiedergabe können Sie bis zu 20 Titel in beliebiger Reihenfolge programmieren. Achten Sie darauf, dass Sie vor der Programmierung die Stopp-Taste drücken.

1. Wechseln Sie in den CD-Modus.
2. Wenn Sie die Speichertaste (12) drücken, dann erscheint auf der LCD-Anzeige (8) „P01&T000“.
3. Wählen Sie den gewünschten Titel durch Drücken der Aufwärts-springen-Taste ►► oder Abwärts-springen-Taste ◀◀ (19/11) aus.
4. Drücken Sie die Speichertaste (12), um den Titel im Speicher abzulegen.
5. Wenn Sie weitere Titel im Speicher ablegen möchten, dann wiederholen Sie die Schritte 3 und 4 für weitere Titel.
6. Wenn Sie alle gewünschten Titel programmiert haben, dann drücken Sie die „Wiedergabe/Pause-Taste ►||“ (18), um die CD in der von Ihnen programmierten Reihenfolge wiederzugeben.
7. Drücken Sie die „Stopp-Taste ■“ (10), um die programmierte Wiedergabe abzubrechen.

- Drücken Sie zum Löschen des gesamten programmierten Speichers bei gestoppter CD-Wiedergabe die „Stopp-Taste ■“ (10) zweimal solange, bis die Anzeige „Prog“ (Programm) auf der LCD-Anzeige (8) erlischt.
- Drücken Sie bei MP3-CDs/Dateien die Taste „Folder up“ (20), um den 1. Titel des nächsten Verzeichnisses direkt auszuwählen und so Ihre Titelauswahlgeschwindigkeit zu erhöhen.
- Der Programmiermodus wird automatisch beendet, wenn nach Drücken der Speichertaste (12) innerhalb von 30 Sekunden keine weitere Taste gedrückt wurde.

Hinweis: –

Anforderungen an das MP3-Titelformat: –

- Bitrate: 32 kbps – 320 kbps, Abtastrate: 32 kHz, 44,1 kHz und 48 kHz dekodierbar
- Die Performance der wiedergegebenen MP3-CD hängt von der Aufnahmequalität und der Aufnahmemethode ab. Des Weiteren dauert das Einlesen bei MP3-CDs länger als bei normalen Audio-CDs, weil bei den MP3-CDs ein anderes Dateiformat als bei Audio-CDs verwendet wird.

MP3-Wiedergabe mittels USB-Speichermedium

Verbinden

Das System kann alle MP3-Dateien dekodieren und wiedergeben, die sich auf dem am USB-Port angeschlossenen Datenträger befinden.

1. Wechseln Sie zuerst in den Standby-Modus oder wählen Sie zuerst einen beliebigen Modus außer den USB-Modus aus.
2. Stecken Sie einen USB-Stick mit der Oberseite nach oben in den USB-Port und achten Sie darauf, dass Sie ihn vollständig hineinschieben.
 - **Das Anschließen des USB-Sticks mit der Oberseite nach unten kann das Audiosystem oder den Datenträger beschädigen. Vergewissern Sie sich vor dem Hineinstecken, dass der USB-Stick richtig herum hineingesteckt wird.**
3. Schalten Sie das Gerät mit der Ein/Aus-Taste (17) wieder ein und drücken Sie anschließend die Funktionstaste (9), um in den USB-Modus zu wechseln. Das System liest nach dem Anschluss das Speichermedium automatisch ein. Auf der LCD-Anzeige (8) wird die Gesamtanzahl der gefundenen MP3-Dateien angezeigt.
4. Die Wiedergabe erfolgt auf dieselbe Weise wie bereits für die Wiedergabe von CDs/MP3-CDs erläutert wurde.

Hinweis

- Das Gerät kann MP3-Dateien nur im USB-Modus, jedoch in keinem anderen Modus, erkennen und lesen.
- **Wenn Sie einen MP3-Player an den USB-Port des Systems anschließen, dann kann es aufgrund der unterschiedlichen Dateisystemformate vorkommen, dass einige MP3-Player nicht über den USB-Port angesprochen werden können. Hierbei handelt es sich nicht um eine Fehlfunktion des Geräts.**
- **Der USB-Port unterstützt keinen Anschluss über USB-Verlängerungskabel und ist auch nicht für die Kommunikation mit Computern vorgesehen.**
- **Das Gerät erfüllt ERP II und schützt die Umwelt (nur für den europäischen Markt). Wird mehr als 15 Minuten keine Musik wiedergegeben, dann wechselt das Gerät automatisch in den Standby-Modus.**

Trennen von USB-Geräten

Wenn Sie den USB-Stick entfernen möchten, dann schalten Sie das Gerät aus oder wechseln Sie zuerst entweder in den CD- oder den Tuner-Modus. Danach können Sie den USB-Stick aus dem USB-Port herausziehen.

Bluetooth verbinden und über Bluetooth wiedergeben

1. Drücken Sie die Funktionstaste (9), um den Modus „BT/AUX“ auszuwählen.
2. Wenn an der AUX-Eingangsbuchse kein Kabel angeschlossen ist, dann wechselt das System automatisch in den Bluetooth-Modus, was durch „BT“ mit dem blinkenden „Pairing“ (Koppeln) auf der LCD-Anzeige (8) angezeigt wird. Das bedeutet, dass sich das Gerät im Suchmodus befindet.
3. Schalten Sie nun die Bluetooth-Funktion Ihres Bluetooth-Geräts (wie beispielsweise ein Mobiltelefon) ein und wählen Sie anschließend bei den gefundenen Bluetooth-Geräten „Lenco SCD-690“ zum Verbinden aus.
4. Nach der erfolgreichen Verbindung wird auf der LCD-Anzeige (8) „BT Connected“ (Bluetooth verbunden) angezeigt.
Starten Sie nun die Wiedergabe auf Ihrem Bluetooth-Gerät und genießen Sie Ihre Musik.
5. Stellen Sie den gewünschten Lautstärkepegel über die Lautstärke-erhöhen/verringern-Taste (14) ein.
6. Schalten Sie die Bluetooth-Funktion Ihres Wiedergabegeräts aus, wenn Sie die Bluetooth-Verbindung trennen möchten. Die LCD-Anzeige zeigt nun wieder „BT“ mit dem blinkenden „Pairing“ (Koppeln) an, was darauf hinweist, dass das Gerät bereit ist, ausgeschaltet oder mit einem anderen Bluetooth-Gerät gekoppelt zu werden.

Kassettenwiedergabe

Allgemeine Bedienung

Stopp-/Auswurf-Taste	Drücken Sie diese Taste, um alle Kassettenoperationen zu beenden. Drücken Sie diese Taste erneut, um die Kassettenfachtür zu öffnen.
Schnell-Vorspul-Taste und Schnell-Zurückspul-Taste	Drücken Sie diese Tasten, um die Kassette entweder schnell vor- oder zurückzuspulen. Durch Drücken der Stopp/Auswurf-Taste wird die Spulbewegung der Kassette angehalten.
Wiedergabetaste	Drücken Sie diese Taste, um die Wiedergabe zu starten.
Pausetaste	Drücken Sie diese Taste, um die Kassettenoperation vorübergehend zu unterbrechen. Durch erneutes Drücken dieser Taste setzen Sie die Musikwiedergabe fort.

Wiedergabe

- Wählen Sie mit Hilfe der Funktionstaste (9) „Tape“ (Kassette) aus
- Legen Sie eine Kassette ein.
- Drücken Sie die Wiedergabetaste ►, um die Wiedergabe zu starten.
- Stellen Sie den gewünschten Lautstärkepegel über die Lautstärke-erhöhen/verringern-Taste (14) ein.
- Wenn Sie die Wiedergabe vorübergehend unterbrechen möchten, dann drücken Sie die Pausetaste II.
- Drücken Sie die Stopp/Auswurf-Taste ■▲, wenn Sie keine Musik mehr wiedergeben möchten.

Weitere Funktionen

A. Einstellen des Weckers

Durch diese Funktion kann sich Ihr Gerät automatisch einschalten und Sie entweder im CD-, FM/DAB-, Summer- oder USB-Modus wecken. Wechseln Sie in den Standby-Modus. Halten Sie anschließend die Taste „Timer“ gedrückt, um in den Timer-Einstellungsmodus zu gelangen. Auf der LCD-Anzeige wird nun die Timereinschaltzeit angezeigt. Des Weiteren blinkt die Stundenstelle der Timerzeit, wodurch signalisiert wird, dass sich das Gerät im Timereinstellmodus befindet.

- 1) Einstellen der Einschaltzeit : Drücken Sie die Aufwärts-springen-Taste ►► (19/11) oder die Abwärts-springen-Taste ◄◄, um die Stunden einzustellen. Nachdem Sie zur Speicherung der Stunden der Einschaltzeit die Timer-Taste (13) gedrückt haben, blinkt die Minutenstelle. Drücken Sie nun zur Einstellung der Minuten die Aufwärts-springen-Taste ►► (19/11) oder Abwärts-springen-Taste ◄◄.

- Drücken Sie anschließend zum Speichern der Einschaltzeit die Timer-Taste (13).
- 2) Einstellen der Ausschaltzeit : Nach Beendigung des vorherigen Schrittes wird nun auf der LCD-Anzeige „Timer Off“ (Ausschaltzeit) angezeigt und die Stundenstelle blinkt. Drücken Sie die Aufwärts-springen-Taste **▶▶** (19/11) oder die Abwärts-springen-Taste **◀◀**, um die Stunden einzustellen. Nachdem Sie zur Speicherung der Stunden der Ausschaltzeit die Timer-Taste (13) gedrückt haben, blinkt die Minutenstelle. Drücken Sie nun zur Einstellung der Minuten die Aufwärts-springen-Taste **▶▶** (19/11) oder Abwärts-springen-Taste **◀◀**. Drücken Sie anschließend zum Speichern der Ausschaltzeit die Timer-Taste (13).
- 3) Modus : Drücken Sie die Aufwärts-springen-Taste **▶▶** (19/11) oder die Abwärts-springen-Taste **◀◀**, um den Modus „Timer on“ (Timer ein) auszuwählen. Drücken Sie anschließend zum Speichern des aktivierten Einschaltmodus die Timer-Taste (13). Drücken Sie die Aufwärts-springen-Taste **▶▶** (15/21) oder die Abwärts-springen-Taste **◀◀**, um den Lautstärkepegel beim automatischen Einschalten auszuwählen. Drücken Sie anschließend die Timer-Taste (13), um die Timereinstellungen abzuschließen. Das Gerät kehrt daraufhin in den Standby-Modus zurück. Auf der Anzeige erscheint das Timersymbol „⌚“.

Aktivierung/Deaktivierung der Timerfunktion (nur im Standby-Modus)

1. Drücken Sie für die Aktivierung der Timerfunktion einmal die Timer-Taste. Das Timersymbol „⌚“ erscheint auf der LCD-Anzeige (2).
2. Drücken Sie für die Deaktivierung der Timerfunktion die Timer-Taste erneut. Das Timersymbol „⌚“ wird nicht mehr angezeigt.

Hinweis: –

- Wenn bei Erreichen der eingestellten Zeit keine Musikquelle (CD oder USB) gefunden wird, dann wählt das Gerät zum Aufwecken standardmäßig automatisch den Modus „FM“. Das System stellt die Radiofrequenz ein, die Sie gehört hatten, bevor Sie das Gerät ausgeschaltet haben.
- Für das Aufwecken mittels FM/DAB verwendet das Gerät die vor dem Ausschalten zuletzt gehörte Radiofrequenz.
- Wenn Sie als Klang für den Weckruf den Summer gewählt haben, dann ertönt zur eingestellten Zeit ein „Beep Beep“.
- Für die Weckrufeinstellung haben Sie ungefähr 4 Sekunden Zeit, bevor das Gerät automatisch in seinen normalen Betriebsmodus zurückkehrt, wenn innerhalb dieser 4 Sekunden keine Taste gedrückt wurde.
- Wenn der Weckklang wiedergegeben wird, dann können Sie ihn durch Drücken der Taste „Ein/Aus“ (17) ausschalten.
- Aufgrund der begrenzten Displaygröße wird das Timersymbol „⌚“ in der LCD-Anzeige im FM/DAB-Modus nicht angezeigt.

B. AUX-IN-Anschluss

Schließen Sie das Gerät an andere Geräte an, indem Sie die AUX-Eingangsbuchse (2) über ein 3,5-mm-Audiokabel (nicht im Lieferumfang enthalten) mit einem externen Gerät wie beispielsweise einem Discman/MP3-Player verbinden, um dessen Musik wiederzugeben, Funktionen auszuführen usw.

- 1) Wenn Sie durch Drücken der Funktionstaste (9) den Modus „BT/AUX“ auswählen, dann wechselt das Gerät automatisch in den AUX-Modus, wenn an der AUX-Eingangsbuchse ein Audiokabel angeschlossen ist.
- 2) Stellen Sie den gewünschten Lautstärkepegel über die Lautstärke-erhöhen/verringern-Taste (14) ein.
- 3) Starten Sie dann die Wiedergabe auf Ihrem externen Audiowiedergabegerät.

C. Benutzung von Kopfhörern

Stecken Sie den Stecker Ihres Kopfhörers in die Kopfhörerbuchse, um die Musik über diesen genießen zu können, ohne andere zu stören.

LESEN SIE DIESE WICHTIGEN INFORMATIONEN DURCH, BEVOR SIE IHRE KOPFHÖRER BENUTZEN

- 1) Vermeiden Sie eine Wiedergabe über längere Zeit mit sehr hoher Lautstärke, weil dies Ihr Gehör schädigen kann.
- 2) Wenn Sie ein Pfeipen in Ihren Ohren hören, dann verringern Sie die Lautstärke oder schalten Sie Ihr Gerät aus.
- 3) Stellen Sie immer die Lautstärke so ein, dass Sie jederzeit auch Geräusche aus Ihrer Umgebung wahrnehmen können.

TECHNISCHE DATEN

AC-STROMVERSORGUNG	230 V~/50 Hz
RADIOFREQUENZ	FM: 87,5 – 108 MHz DAB: 174,928 – 239,2 MHz
BLUETOOTH-VERSION	V2.1

HINWEIS: Aufgrund der Anforderungen der Ökodesign-Richtlinie und zum Schutz der Umwelt schaltet sich das Gerät automatisch in den Standby-Modus, wenn innerhalb von 15 Minuten keine Musik wiedergegeben wurde.

Garantie

Lenco bietet Leistungen und Garantien im Einklang mit Europäischem Recht. Im Falle von Reparaturen (sowohl während als auch nach Ablauf der Garantiezeit) sollten Sie deshalb Ihren Einzelhändler kontaktieren.

Wichtiger Hinweis: Es ist nicht möglich, Produkte für Reparaturen direkt an Lenco zu schicken.

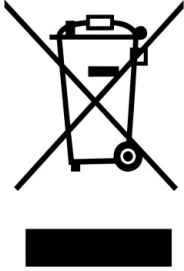
Wichtiger Hinweis: Wenn dieses Gerät für welchen Grund auch immer durch ein nicht offizielles Service-Center geöffnet wurde oder durch dieses Service-Center darauf zugegriffen wurde, erlischt die Garantie.

Dieses Gerät ist nicht für professionelle Zwecke geeignet. Falls das Gerät für professionelle Zwecke eingesetzt wird, erlöschen alle Garantieverpflichtungen seitens des Herstellers.

Haftungsausschluss

Aktualisierungen der Firmware und/oder Hardware-Komponenten werden regelmäßig durchgeführt. Aus diesem Grund können einige der Anleitungen, Spezifikationen und Abbildungen in dieser Dokumentation zu dem Ihnen vorliegendem Gerät leicht abweichen. Alle in diesem Handbuch beschriebenen Elemente dienen nur zur Illustration und treffen auf Ihre individuelle Situation möglicherweise nicht zu. Aus der in diesem Handbuch getätigten Beschreibung können keine Rechtsansprüche oder Leistungsanforderungen geltend gemacht werden.

Entsorgung des Altgeräts



Dieses Symbol zeigt an, dass das entsprechende Produkt oder dessen Akku/Batterie in Europa nicht mit dem normalen Hausmüll entsorgt werden darf. Um die ordnungsgemäße Abfallbehandlung des Produkts und dessen Akku/Batterie zu gewährleisten, müssen diese im Einklang mit allen anwendbaren örtlichen Vorschriften zur Entsorgung von Elektrogeräten und Akkus/Batterien entsorgt werden. Dabei helfen Sie, natürliche Ressourcen zu schonen und Umweltschutzstandards zur Verwertung und Entsorgung von Altgeräten aufrecht zu halten (Richtlinie über Entsorgung Elektrischer und Elektronischer Altgeräte).

CE-Kennzeichen

Hiermit erklärt Lenco Benelux B.V., Thermiekstraat 1a, 6361 HB Nuth, The Netherlands, dass dieses Produkt den grundsätzlichen Anforderungen der EU-Richtlinie entspricht.

Die Konformitätserklärung kann unter folgendem Link abgerufen werden:

techdoc@commaxxgroup.com



Service

Besuchen Sie bitte für weitere Informationen und unseren Kundendienst unsere Homepage

www.lenco.com

Lenco Benelux BV, Thermiekstraat 1a, 6361 HB, Die Niederlande.

ATTENTION :

L'utilisation de commandes ou d'ajustements ou l'exécution de procédures autres que celles spécifiées dans le présent document peuvent entraîner une exposition dangereuse aux radiations.

PRÉCAUTIONS AVANT UTILISATION**GARDEZ CES INSTRUCTIONS À L'ESPRIT :**

1. Ne couvrez pas et n'obtenez pas les ouvertures de ventilation. Lorsque vous placez l'appareil sur une étagère, laissez 5 cm (2") d'espace libre tout autour de l'appareil.
2. Installez-le conformément au mode d'emploi fourni.
3. Gardez l'appareil à l'écart des sources de chaleur telles que des radiateurs, appareils de chauffage, fours, bougies et autres produits générant de la chaleur ou une flamme nue. L'appareil ne peut être utilisé que dans des climats modérés. Les environnements extrêmement froids ou chauds doivent être évités. La plage de température de fonctionnement se situe entre 0° et 35° C.
4. Évitez d'utiliser l'appareil à proximité de champs magnétiques puissants.
5. Des décharges électrostatiques peuvent perturber le fonctionnement de cet appareil. Dans ce cas, il suffit de réinitialiser et de redémarrer l'appareil en suivant le mode d'emploi. Pendant le transfert de fichiers, manipulez l'appareil avec précaution et faites-le fonctionner dans un environnement sans électricité statique.
6. Mise en garde ! N'introduisez jamais un objet dans l'appareil par les ouvertures et les fentes de ventilation. Étant donné que des tensions élevées sont présentes à l'intérieur du produit, l'insertion d'un objet peut entraîner une électrocution et/ou court-circuiter les composants internes. Pour les mêmes raisons, ne versez pas de l'eau ou un liquide sur le produit.
7. Ne l'utilisez pas dans des endroits humides tels qu'une salle de bain, une cuisine pleine de vapeur ou à proximité d'une piscine.
8. L'appareil ne doit pas être exposé à des écoulements ou des éclaboussures et aucun objet contenant un liquide, tel qu'un vase, ne doit être posé sur ou près de l'appareil.
9. N'utilisez pas cet appareil lorsque de la condensation est possible. Lorsque l'appareil est utilisé dans une pièce humide et chaude, des gouttelettes d'eau ou de la condensation peuvent se former à l'intérieur de l'appareil et affecter son fonctionnement. Laissez l'appareil hors tension pendant 1 ou 2 heures avant de le mettre en marche : l'appareil doit être sec avant sa mise sous tension.
10. Bien que ce dispositif soit fabriqué avec le plus grand soin et contrôlé à plusieurs reprises avant de quitter l'usine, des problèmes peuvent néanmoins survenir, comme avec tous les appareils électriques. Si l'appareil émet de la fumée ou en cas d'accumulation excessive de la chaleur ou d'un phénomène inattendu, débranchez immédiatement la fiche d'alimentation du secteur.
11. Cet appareil doit fonctionner avec la source d'alimentation indiquée sur la plaque signalétique. Si vous n'êtes pas sûr du type d'alimentation utilisé chez vous, contactez votre revendeur ou le fournisseur local d'électricité.
12. Tenez l'appareil à l'abri des animaux. Certains animaux aiment ronger les cordons électriques.
13. Pour nettoyer l'appareil, servez-vous d'un chiffon doux et sec. N'utilisez pas de solvant ni d'autre liquide à base de pétrole. Pour enlever les taches importantes, vous pouvez vous servir d'un chiffon humide imbibé d'une solution de détergent diluée.
14. Le fournisseur n'est pas responsable des dommages ou pertes de données causés par un dysfonctionnement, une utilisation abusive, une modification de l'appareil ou un remplacement de la batterie.
15. N'interrompez pas la connexion lorsque l'appareil formate ou transfère des fichiers. Dans le cas contraire, les données pourraient être endommagées ou perdues.
16. Si l'appareil a une fonction de lecture USB, il faut brancher la clé USB directement sur l'appareil. N'utilisez pas un câble d'extension USB, car cela peut causer des interférences entraînant des pertes de données.
17. L'étiquette de classification se trouve sur le panneau inférieur ou arrière de l'appareil.

18. Cet appareil ne doit pas être utilisé par des personnes (y compris les enfants) souffrant de déficiences physiques, sensorielles ou mentales, ou d'un manque d'expérience et de connaissances, à moins qu'elles n'aient été supervisées ou qu'une personne responsable de leur sécurité ne leur ait donné des instructions sur l'utilisation correcte de l'appareil.
19. Ce produit est réservé à un usage non professionnel, et non pas à un usage commercial ni industriel.
20. Vérifiez que l'appareil est en position stable. La garantie ne couvre pas les dégâts occasionnés par l'utilisation de cet appareil en position instable, par les vibrations, les chocs ou par la non-observation de tout autre avertissement ou précaution contenus dans ce mode d'emploi.
21. N'ouvrez jamais cet appareil.
22. Ne placez jamais cet appareil sur un autre appareil électrique.
23. Ne laissez pas les sacs en plastique à la portée des enfants.
24. Utilisez uniquement les accessoires recommandés par le fabricant.
25. Confiez l'entretien et les réparations à un personnel qualifié. Une réparation est nécessaire lorsque l'appareil a été endommagé de quelque façon que ce soit, par exemple lorsque le cordon d'alimentation ou la prise sont endommagés, lorsqu'un liquide s'est déversé ou des objets sont tombés sur l'appareil, lorsque l'appareil a été exposé à la pluie ou à l'humidité, lorsqu'il ne fonctionne pas correctement ou est tombé.
26. Une exposition prolongée à la musique avec un volume élevé peut entraîner une perte auditive temporaire ou permanente.
27. Si l'appareil est livré avec un câble d'alimentation ou un adaptateur secteur :
 - En cas de problème, débranchez le cordon d'alimentation CA et confiez l'entretien à un personnel qualifié.
 - Ne marchez pas sur l'adaptateur secteur ou ne le coincez pas. Faites très attention, en particulier à proximité des fiches et du point de sortie du câble. Ne placez pas d'objets lourds sur l'adaptateur secteur, car ils pourraient l'endommager. Gardez l'appareil hors de portée des enfants ! Ils pourraient se blesser gravement s'ils jouent avec le câble d'alimentation.
 - Débranchez cet appareil pendant les orages ou lorsqu'il n'est pas utilisé pendant une longue durée.
 - La prise secteur doit être installée près de l'appareil et doit être facilement accessible.
 - Ne surchargez pas les prises de courant ou les rallonges. Une surcharge peut entraîner un incendie ou une électrocution.
 - Les appareils de classe 1 doivent être branchés à une prise de courant disposant d'une connexion protectrice à la terre.
 - Les appareils à la norme de construction de classe 2 ne nécessitent pas de connexion à la terre.
 - Tirez toujours sur la fiche pour débrancher le cordon de la prise secteur. Ne tirez pas sur le cordon d'alimentation. Cela pourrait provoquer un court-circuit.
 - N'utilisez pas un cordon ou une fiche d'alimentation endommagé ni une prise desserrée. Vous courez un risque d'incendie ou de décharge électrique.
28. Si le produit contient ou est livré avec une télécommande contenant des piles boutons :

Avertissement :

 - « N'ingérez pas la pile, car vous risquez une brûlure chimique » ou une formule équivalente.
 - La télécommande fournie contient une pile bouton/pièce de monnaie. Si la pile est avalée, elle peut causer de graves brûlures internes en seulement 2 heures et peut entraîner la mort.
 - Tenez les piles neuves et usagées hors de portée des enfants.
 - Si le compartiment à piles ne se ferme pas correctement, cessez d'utiliser l'appareil et tenez-le hors de portée des enfants.
 - Si vous pensez que les piles ont été avalées ou placées à l'intérieur d'une partie du corps, consultez un médecin immédiatement.

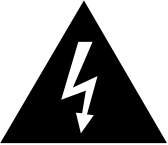

29. Mise en garde relative à l'utilisation des piles :

- Risque d'explosion si la pile est mal remplacée. Remplacez les piles par des piles d'un type identique ou équivalent.
- Pendant l'utilisation, le stockage ou le transport, la pile ne doit pas être soumise à des températures extrêmement élevées ou basses, à une faible pression d'air à haute altitude.
- Le remplacement d'une pile par une autre de type incorrect peut entraîner une explosion ou une fuite de liquide ou de gaz inflammable.
- L'introduction d'une pile dans le feu ou dans un four chaud, l'écrasement ou le découpage mécanique peut entraîner une explosion.
- L'exposition d'une pile dans un environnement à température extrêmement élevée peut entraîner une explosion ou une fuite de liquide ou de gaz inflammable.
- L'exposition d'une pile à une pression d'air extrêmement basse peut entraîner une explosion ou une fuite de liquide ou de gaz inflammable.
- Veuillez considérer les questions environnementales lors de la mise au rebut des piles.

INSTALLATION

- Déballez toutes les pièces et enlevez le matériau de protection.
- Ne connectez pas l'unité au secteur avant d'avoir vérifié la tension du secteur et avant que toutes les autres connexions n'aient été effectuées.

*** Ces instructions s'appliquent uniquement aux produits utilisant un câble d'alimentation ou un adaptateur secteur.**

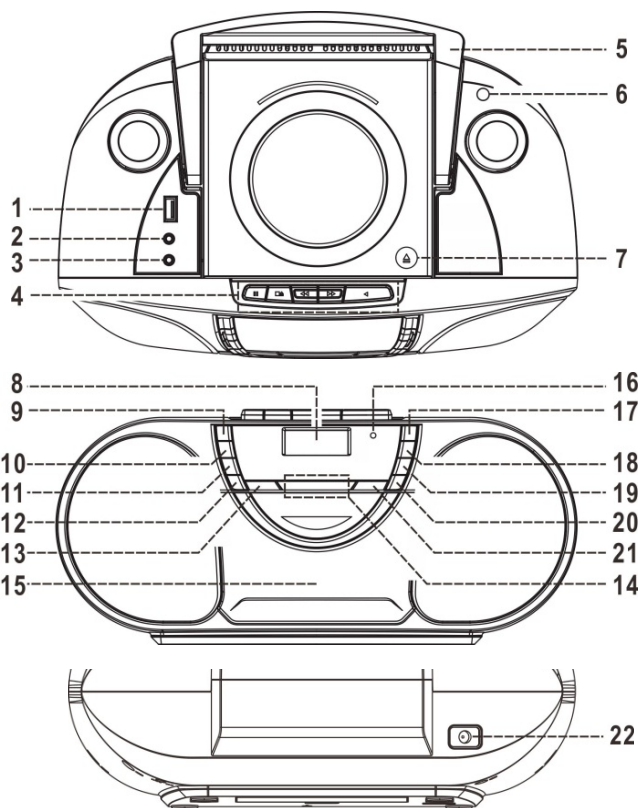
 <p>L'éclair avec une tête fléchée dans le triangle est un signe d'avertissement qui signale une tension dangereuse à l'intérieur du produit.</p>	<p style="text-align: center;">ATTENTION</p> <p style="text-align: center;">RISQUE DE DÉCHARGE ÉLECTRIQUE NE PAS OUVRIR</p> <p style="text-align: center;">ATTENTION : POUR ÉVITER TOUT RISQUE DE DÉCHARGE ÉLECTRIQUE, NE DÉMONTÉZ AUCUN PANNEAU. NE CONTIENT AUCUN ÉLÉMENT RÉPARABLE PAR L'UTILISATEUR. CONFIEZ TOUTE RÉPARATION À UN PERSONNEL QUALIFIÉ.</p>	 <p>Le point d'exclamation dans le triangle est un signe d'avertissement vous alertant d'instructions importantes accompagnant le produit.</p>
--	---	---



**PRODUIT LASER DE
CLASSE 1**

EMPLACEMENT DES TOUCHES

- 1) Port USB
- 2) Fiche AUX IN
- 3) Prise casque de 3,5 mm
- 4) Touche pour la cassette
- 5) Poignée
- 6) Antenne FM
- 7) Ouverture/fermeture de la porte de CD
- 8) Écran LCD
- 9) Touche Fonction
- 10) Touche Arrêt ■/Entrée
- 11) Touche Précédent ◀◀
- 12) Touche Menu/Mém/Réglage d'horloge
- 13) Touche Minuterie
- 14) Touche pour monter/baisser le volume
- 15) Porte de cassette
- 16) Témoin de veille
- 17) Touche marche/arrêt
- 18) Touche lecture/pause ▶||/Recherche
- 19) Touche Suivant ▶▶
- 20) Touche Pré/Dossier parent ▲
- 21) Touche Info/Mode lecture
- 22) Prise CC



Attention :

L'utilisation des commandes ou des procédures autres que ceux qui sont spécifiés dans ce manuel peut entraîner une exposition dangereuse aux radiations.

Cet appareil ne doit pas être réglé ou réparé par quiconque d'autre que du personnel qualifié.

Important :

Puisque les circuits sensibles peuvent interférer avec un syntoniseur radio à proximité, éteignez cet appareil lorsque vous utilisez d'autres appareils radio.

En raison de la complexité des commandes MCU, veuillez débrancher l'appareil du secteur s'il s'arrête pendant son fonctionnement ! Il ne s'agit pas d'un mauvais fonctionnement du système.

Précautions d'emploi

Installation

- Déballiez toutes les pièces et enlevez le matériau de protection.
- Ne branchez pas l'appareil sur le secteur sans avoir vérifié la tension du secteur et sans avoir effectué tous les autres branchements.
- Ne couvrez pas les orifices de ventilation et assurez-vous qu'un espace de plusieurs centimètres est présent autour de l'appareil aux fins de l'aération.

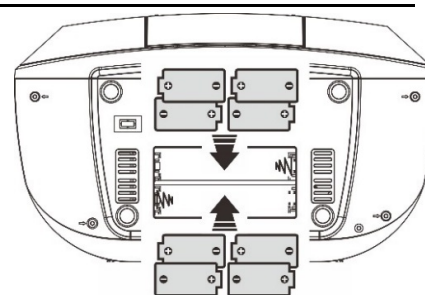
Branchements

1. Branchez la fiche CC de l'adaptateur CA/CC sur la prise CC (22), puis branchez l'autre extrémité de l'adaptateur sur la prise secteur.
2. Lorsque vous branchez l'appareil pour la première fois sur le secteur, il se met en mode veille. Le témoin de veille s'allume.
3. Allumez l'appareil en appuyant sur la touche « On/Standby » (17). Si le rétroéclairage de l'écran LCD (8) est allumé, cela signifie que l'alimentation est normale. Le système est désormais prêt à lire de la musique.

Branchement CC

Pour un fonctionnement avec du courant continu, veuillez insérer 8 piles C (UM-2) dans le compartiment à piles et débranchez la fiche secteur de la prise CA ; puis débranchez le cordon d'alimentation de la prise secteur.

Retirez toutes les piles de l'appareil lorsque vous utilisez l'alimentation CC. Il est recommandé de retirer les piles de l'appareil si vous n'allez pas l'utiliser pendant un certain temps.



Réglage de l'horloge

1. Mettez l'unité en mode veille.
 2. Maintenez enfoncée la touche « Menu/Mem/clk-adj » (12), le chiffre des heures clignotera sur l'écran LCD (8). Appuyez sur la touche Saut arrière (11) ◀◀ ou Saut avant (19) ▶▶ pour régler l'heure correcte. Appuyez sur la touche « Menu/Mem/clk-adj » (12) pour enregistrer l'heure ; les chiffres des minutes se mettent à clignoter.
 3. Appuyez sur la touche Précédent ◀◀ (11) ou Suivant ▶▶ (19) pour régler les minutes correctes.
 4. Appuyez sur la touche « Menu/Mem/clk-adj » (12) pour enregistrer l'heure correcte.
- **L'heure pré-réglée sera complètement réinitialisée si vous débranchez du secteur. Il est recommandé de faire passer le système en mode veille pour plus de commodité.**
 - **L'horloge se synchronisera avec l'horloge RDS/DAB une fois qu'elle en reçoit le signal si elle n'a pas été préalablement réglée.**

Écouter la radio

Utilisation

Syntonisation manuelle

1. Éteignez l'appareil grâce à la touche marche/arrêt (17), puis appuyez sur la touche Fonction (9) jusqu'à ce qu'il passe en mode « FM ».
2. Appuyez sur la touche Précédent ◀◀ (11) ou Suivant ▶▶ (19) pour syntoniser la station que vous souhaitez.
3. Utilisez la touche (14) pour monter/baisser le volume au niveau désiré.

Syntonisation automatique

1. Mettez l'appareil en mode FM.
2. Appuyez une fois sur la touche de recherche automatique (18), l'appareil commencera à chercher en avant jusqu'à recevoir une station de radio. Appuyez une fois sur la touche de syntonisation descendante (11), puis appuyez sur la touche de recherche automatique (18), l'appareil recherchera dans la direction de la syntonisation descendante. Si le signal de diffusion du « Radio Data System » (RDS) est reçu, l'appareil règle automatiquement l'heure réelle.
3. Réglez le volume au niveau voulu avec la touche (14).

Réglage de la recherche FM

Si, après la syntonisation automatique, de nombreuses stations de radio indésirables au faible signal sont reçues, vous pouvez sélectionner les stations à fort signal uniquement en filtrant les stations au **signal** faible.

1. En mode FM, appuyez sur la touche (12) « Menu/Mem/clk-adj » pour entrer dans le « Menu », puis appuyez sur la touche Saut arrière ◀◀ (11) ou Saut avant ▶▶ (19) pour sélectionner « Scan setting (paramètre de recherche) ».
2. Appuyez sur la touche (10) « Stop/Enter » pour entrer dans le réglage « Scan setting (paramètre de recherche) », puis appuyez sur la touche Saut arrière ◀◀ (11) ou Saut avant ▶▶ (19) pour sélectionner « strong stations only (stations à fort signal uniquement) ». Ensuite, appuyez sur la touche (10) « Stop/Enter » pour confirmer le réglage.
3. Recommencez l'opération de syntonisation automatique comme décrit ci-dessus.

Réception FM et FM stéréo

- Le mode par défaut de l'appareil est FM en Mono. Ainsi, si un signal stéréo FM est reçu, réglez le mode FM sur Stéréo en appuyant sur la touche Menu (12), appuyez ensuite sur la touche Précédent ◀◀ (11) ou Suivant ▶▶ (19) pour sélectionner Audio setting (Réglage auto), appuyez sur la touche Enter (10), puis appuyez sur Précédent ◀◀ (11) ou Suivant ▶▶ (19) pour sélectionner FM stereo (Stéréo FM), puis appuyez sur la touche Enter (10) pour valider. Quand le signal stéréo est faible et bruyant, il est préférable de changer de mode FM en suivant la même procédure.

Conseils pour une meilleure réception : -

FM : le récepteur dispose d'une antenne tige (6) à l'arrière du boîtier. Elle doit être complètement déployée pour une meilleure réception.

Réception RDS (radiodiffusion de données de service)

C'est la fonction qui affiche les informations contenues dans l'émission radio qui seront progressivement affichées sur l'écran LCD, comme illustré ci-dessous, en appuyant sur la touche (21) Play mode/info de manière continue.

Texte radio → type de programme → fréquence → mono/stéréo → heure → date

Radio à radiodiffusion audionumérique (DAB)

1. Réglez l'appareil en mode DAB en appuyant sur la touche Fonction (9).
2. Appuyez une fois sur la touche ▶||/Scan (18), l'appareil lancera une fois la recherche complète dans la plage 11b-12d. Appuyez sur la touche Précédent ◀◀ (11) ou Suivant ▶▶ (19) pour sélectionner

- pour sélectionner une station DAB voulue, puis appuyez sur la touche « Stop/Enter » (10) pour valider la station sélectionnée.
- Appuyez sur la touche (21) Play mode/info de manière continue pour vérifier l'information ci-dessous apportée par DAB.
Force du signal → type de programme → Nom du groupe → fréquence → erreur de signal → taux de transfert → heure → date
 - Réglez le volume au niveau désiré avec la touche (14).

Contrôle de la plage dynamique

Cet appareil fournit trois modes de plage dynamique correspondant aux différents types de programmes en mode DAB.

- En mode DAB, appuyez sur la touche (12) « Menu/Mem/clk-adj » pour accéder au « Menu », puis appuyez sur la touche Précédent ◀◀ (11) ou Suivant ▶▶ (19) pour sélectionner « DRC ».
- Appuyez sur la touche (10) « Stop/Enter » pour entrer dans le réglage « DRC », puis appuyez sur la touche Saut arrière ◀◀ (11) ou Saut avant ▶▶ (19) pour sélectionner « DRC high/low/off (DRC élevé/bat/inactif) ». Ensuite, appuyez sur la touche (10) « Stop/Enter » pour confirmer le réglage.
- Quel que soit l'état, appuyez sur la touche (12) « Menu/Mem/clk-adj » pour sortir du mode de réglage.

Réglage de la langue

Cet appareil propose 4 langues d'affichage pour le fonctionnement en mode FM/DAB.

- En mode DAB/FM, appuyez sur la touche (12) « Menu/Mem/clk-adj » pour entrer dans le « Menu », puis appuyez sur la touche Saut arrière ◀◀ (11) ou Saut avant ▶▶ (19) pour sélectionner « System (Système) ».
- Appuyez sur la touche (10) « Stop/Enter » pour accéder au réglage « System (Système) », puis appuyez sur la touche Saut arrière ◀◀ (11) ou Saut avant ▶▶ (19) pour sélectionner « Language (Langue) » ; puis appuyez sur la touche « Stop/Enter » (10) pour entrer dans le mode langue, puis appuyez sur la touche Saut arrière ◀◀ (11) ou Saut avant ▶▶ (19) pour sélectionner la langue désirée entre English/French/German/Italian (Anglais/Français/Allemand/Italien). Ensuite, appuyez sur la touche (10) « Stop/Enter » pour confirmer le réglage.
- Quel que soit l'état, appuyez sur la touche (12) « Menu/Mem/clk-adj » pour sortir du mode de réglage.

Stations présélectionnées

Vous pouvez enregistrer jusqu'à 20 stations de radio en mémoire (10 FM/10 DAB).

- Passez en mode FM/DAB
- Allez à la station de radio souhaitée en utilisant la méthode de syntonisation « manuelle » ou « automatique ».
- Maintenez appuyée la touche (12) « Mem/clk-adj » pour activer le mode mémoire.
- Appuyez sur la touche Précédent ◀◀ (11) ou Suivant ▶▶ (19) pour sélectionner la station que vous souhaitez mettre en mémoire.
- Appuyez sur la touche (10) « Stop/Enter » pour confirmer le réglage.
- Répétez les étapes 2 à 5 pour mémoriser d'autres stations.

Rappel des stations prééglées

- Passez en mode FM/DAB
- Appuyez sur la touche Pre-up (20) pour charger les stations mémorisées.
- Appuyez sur la touche Précédent ◀◀ (11) ou Suivant ▶▶ (19) pour sélectionner la station que vous souhaitez rappeler.
- Appuyez de nouveau sur la touche (10) « Stop/Enter » pour confirmer la station à charger.

Réinitialisation DAB/FM :

Si vous souhaitez effacer toutes les stations FM/DAB en mémoire.

1. En mode DAB ou FM, appuyez sur la touche (12) « Menu/Mem/clk-adj » pour entrer dans le « Menu », puis appuyez sur la touche Précédent **◀◀** (11) ou Suivant **▶▶** (19) pour sélectionner « System » (Système).
2. Appuyez sur la touche (10) « Stop/Enter » pour entrer dans le réglage « System » (Système), puis appuyez sur la touche Précédent **◀◀** (11) ou Suivant **▶▶** (19) pour sélectionner « Factory reset » (Réglage d'usine). Ensuite, appuyez sur la touche (10) « Stop/Enter » pour confirmer le réglage d'usine.
3. L'appareil effacera alors toutes les stations en mémoire.

Lecture de CD/disque MP3

• Pour commencer

1. Appuyez sur la touche Fonction (9) pour sélectionner le mode CD.
2. Ouvrez la porte du CD en appuyant sur la touche (7) ouverture/fermeture de la porte du compartiment à CD. Placez un CD dans le compartiment et fermez la porte de CD.
3. Une recherche ciblée est effectuée si un disque est à l'intérieur. Le nombre total de titres est lu.

• Mode Lecture/Pause **▶||**

1. Si la touche Lecture/Pause **▶||** (18) est enfoncée à l'arrêt, le premier titre est joué.
2. Si la touche Lecture/Pause **▶||** (18) est enfoncée pendant la lecture, le système se met en pause et le témoin de la pause s'allume sur l'écran LCD (8). Appuyez à nouveau pour reprendre la lecture normale.

• Mode Arrêt **■**

1. Si la touche Arrêt **■** (10) est enfoncée pendant le mode lecture ou pause, l'appareil passe en mode arrêt et affiche le nombre total de titres sur l'écran LCD (8).

• Mode précédent **▶▶|/suivant ◀◀**

1. En mode lecture, si vous enfoncez la touche Suivant **▶▶** (19), l'appareil passe au titre suivant et affiche son numéro.
2. En mode lecture, si vous appuyez sur la touche Précédent **◀◀** (11), l'appareil revient au début de la piste en affichant le même numéro.
3. Après l'étape 2, si vous appuyez de nouveau sur la touche Saut arrière **◀◀** (11), l'appareil passe au titre précédent et en joue le début.

• Pour un fichier/disque MP3

1. Placez le CD de MP3 dans le compartiment CD. Après que la recherche focalisée a été effectuée, le nombre total de titres est affiché sur l'écran LCD (8).
2. Appuyez sur la touche Saut avant **▶▶** ou Saut arrière **◀◀** (11/19) pour sélectionner le numéro du titre.
3. Lorsque le titre et l'album souhaités sont sélectionnés, appuyez sur la touche (18) « Lecture/Pause **▶||** » pour lancer la lecture.

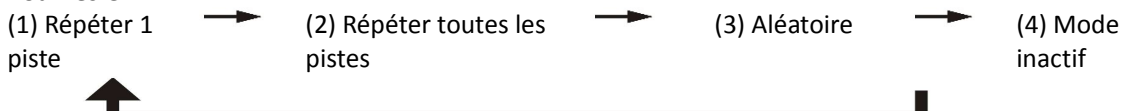
Remarque

- Appuyer sur la touche « Folder up **▲** » (20) de l'appareil permet de sélectionner le dossier MP3 parent.
- Le numéro du titre s'affiche sur l'écran LCD (8), puis l'appareil joue ce titre lorsque vous appuyez sur la touche Lecture/Pause **▶||** (18).

• Mode Répétition/Aléatoire

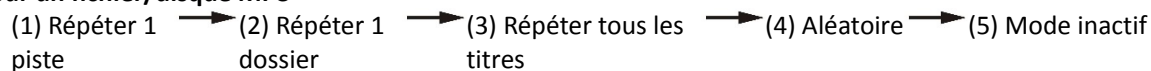
Appuyez sur la touche (21) « Play Mode » pendant la lecture pour sélectionner la fonction de répétition ou aléatoire, un seul titre, un seul dossier (disque MP3 uniquement) ou tous les titres peuvent être joués dans différents modes comme suit : -

Pour les CD



	Indicateur
Mode de lecture	Sur l'écran LCD
Répéter un titre	Rép. 1
Tout répéter	Rép. T
Aléatoire	Aléat.
Mode inactif	-----

Pour un fichier/disque MP3



	Indicateur
Mode de lecture	Sur l'écran LCD
Répéter un seul titre	Rép. 1
Répéter un seul dossier	Rép D
Répéter tous les titres	Rép. T
Aléatoire	Aléat.
Mode inactif	-----

• Répétition de la lecture

Vous pouvez écouter les titres ou le dossier souhaités à plusieurs reprises à l'aide de cette fonction.

• Lecture aléatoire

Vous pouvez écouter tous les titres dans un ordre aléatoire à l'aide de cette fonction.

Programmation du CD/disque MP3

Jusqu'à 20 pistes du disque peuvent être programmées pour être jouées dans n'importe quel ordre. Avant de commencer, assurez-vous d'appuyer sur la touche Arrêt.

1. Passez en mode CD.
2. Appuyez sur la touche mémoire (12), « P01&T000 » s'affiche sur l'écran LCD (8).
3. Sélectionnez la piste souhaitée en vous servant des touches Saut avant ►►/Saut arrière ◀◀ (19/11).
4. Appuyez sur la touche mémoire (12) pour mettre le titre en mémoire.
5. Répétez les étapes 3 et 4 pour ajouter d'autres titres en mémoire si nécessaire.
6. Lorsque toutes les pistes souhaitées ont été programmées, appuyez sur « Lecture/Pause ►► » (18) pour lire le disque dans l'ordre que vous avez programmé.
7. Appuyez sur la touche « Stop ■ » (10) pour arrêter la lecture programmée.
 - Appuyez sur la touche « Stop ■ » deux fois (10) en mode arrêt CD pour annuler toute la programmation jusqu'à ce que l'indicateur « Prog » ne s'affiche plus sur l'écran LCD (8).
 - Pour le disque/les fichiers MP3, appuyez sur la touche « Folder up » (20) pour sélectionner directement le 1^{er} titre du dossier suivant et ainsi accélérer la sélection de chansons.
 - Le mode de programmation s'arrête automatiquement quand aucune touche n'est enfoncée pendant environ 30 secondes après avoir appuyé sur la touche mémoire (12).

Remarque : -

Exigence de format pour les titres MP3 : -

- Débit binaire : De 32 kb/s à 320 kb/s, taux d'échantillonnage : décodable à 32 kHz, 44,1 kHz et 48 kHz
- Les performances de lecture d'un disque MP3 dépendent de la qualité du disque d'enregistrement et du procédé d'enregistrement. De plus, le délai de recherche est plus long pour un disque MP3 que pour un CD normal du fait de la différence de format.

Lecture de chanson MP3 stockée sur un disque USB

Connexion

Le système est capable de décoder et de lire tous les fichiers MP3 qui sont stockés sur un support de mémoire branché au port USB.

1. Mettez d'abord le système en mode veille ou dans toute autre fonction à l'exception du mode USB.
2. Branchez la clé USB dirigée vers le haut et assurez-vous qu'elle est complètement enfoncée.
 - **Brancher la clé USB à l'envers pourrait endommager le système audio ou le support de stockage. Vérifiez que l'insertion soit correcte avant connexion.**
3. Éteignez l'appareil à nouveau grâce à la touche marche/arrêt (17), puis appuyez sur la touche Fonction (9) pour sélectionner le mode USB. Le système commencera à lire les médias stockés automatiquement après la connexion, et l'écran LCD (8) affichera le nombre total de fichiers MP3 détectés.
4. Répétez la même procédure de lecture que pour un disque CD/MP3 comme décrit précédemment.

Remarque

- Le système peut analyser et lire les fichiers au format MP3 uniquement en mode USB, mais pas d'autre format de fichier audio.
- **Si vous raccordez le système à un lecteur MP3 via le connecteur USB, en raison des variations dans le format du système de fichiers, certains lecteurs MP3 peuvent ne pas être en mesure de jouer à travers le connecteur USB. Il ne s'agit pas d'un mauvais fonctionnement du système.**
- **Le port USB n'est pas compatible avec le branchement d'un câble d'extension USB et n'a pas été conçu pour communiquer avec un ordinateur.**
- **En raison de la directive ERP et pour protéger l'environnement (uniquement pour le marché européen), l'appareil passera automatiquement en mode veille une fois qu'il détecte qu'aucune musique ne joue pendant plus de 15 minutes.**

Débrancher une clé USB

Pour retirer la clé USB, éteignez l'appareil ou passez d'abord le mode de fonctionnement à celui de CD ou de syntonisation, puis tirez dessus pour la retirer du port USB.

Connexion et lecture Bluetooth

1. Appuyez sur la touche Fonction (9) pour sélectionner le mode « BT/AUX ».
2. Si la prise d'entrée auxiliaire n'est pas connectée, le système passera automatiquement en mode BT et « BT » s'affichera sur l'écran LCD (8) avec le mot « Pairing (Appairage) » qui clignote. Cela signifie que le Bluetooth est en mode recherche.
3. Activez la fonction Bluetooth de votre dispositif Bluetooth (par exemple, un téléphone portable) et sélectionnez « Lenco SCD-690 » comme équipement Bluetooth à connecter.
4. Une fois la connexion établie, l'écran LCD (8) indique « BT Connected (BT connecté) ». Commencez la lecture sur votre dispositif Bluetooth et profitez de la musique.
5. Utilisez la touche (14) pour hausser/baisser le volume au niveau souhaité.
6. Pour couper la connexion Bluetooth, désactivez la fonction Bluetooth de votre dispositif Bluetooth. L'écran LCD affiche « BT » avec le mot « Pairing (Appairage) » qui clignote pour appairer un nouveau dispositif ou éteindre l'appareil.

Écouter une cassette

Fonctionnement général

Touche Arrêt/Éjection	Enfoncez pour arrêter la platine. Appuyez de nouveau pour ouvrir la porte de cassette.
Touche Avance rapide et Touche Retour rapide	Appuyez pour lancer un rembobinage rapide soit vers l'avant soit vers l'arrière. Appuyez pour arrêter/éjecter la clé, la bobine de cassette cesse de tourner.
Touche Lecture	Appuyez pour commencer la lecture de la cassette.
Touche Pause	Appuyez sur pour arrêter la cassette temporairement. Appuyez de nouveau pour reprendre la lecture.

Lecture

- Sélectionnez « Tape » (Cassette) à l'aide de la touche de fonction (9)
- Mettez la cassette.
- Appuyez sur la touche Lecture ► pour lancer la lecture.
- Utilisez la touche (14) pour monter/baisser le volume au niveau désiré.
- Utilisez la touche pause ■■ quand vous voulez arrêter la lecture temporairement.
- Appuyez sur la touche arrêt/éjection ■▲ quand vous avez fini.

Plus de fonctionnalités

A. Réglage de l'alarme

Cette fonction permet au système de s'allumer automatiquement et vous réveiller avec le mode CD, FM/DAB, sonnerie ou USB Mettez le système en mode veille, puis appuyez et maintenez la touche « Timer » pour entrer dans le mode de réglage de la minuterie, l'écran LCD affiche « Heure de début de la minuterie ». Par ailleurs, les chiffres de l'heure de l'horloge de la minuterie se mettent à clignoter, ce qui signifie que l'appareil est déjà entré dans le mode de réglage de la minuterie.

- 1) Réglage de l'heure d'activation : Appuyez sur Suivant ►► (19/11) ou Précédent ◀◀ (19/11) pour régler les heures. Ensuite, appuyez sur la touche Timer (13) pour enregistrer l'heure d'activation de la minuterie, les chiffres des minutes clignotent, appuyez sur la touche Suivant ►► (19/11) ou Précédent ◀◀ (19/11) pour régler les minutes. Ensuite, appuyez sur la touche Timer (13) pour enregistrer l'heure d'activation de la minuterie.
- 2) Réglage de l'heure de désactivation : Après l'étape ci-dessus, l'écran LCD indiquera « Timer Off (minuterie désactivée) » et les chiffres des heures clignotaient. Appuyez sur Saut avant ►► (19/11) ou arrière ◀◀ (19/11) pour régler l'heure. Ensuite, appuyez sur la touche Timer (13) pour enregistrer l'heure de désactivation de la minuterie, les chiffres des minutes clignotent, appuyez sur la touche Suivant ►► (19/11) ou Précédent ◀◀ (19/11) pour régler les minutes. Ensuite, appuyez sur la touche Timer (13) pour enregistrer l'heure de désactivation de la minuterie.
- 3) Mode : Ensuite, appuyez sur Saut avant ►► (19/11) ou arrière ◀◀ (19/11) pour régler le mode d'activation de la minuterie. Ensuite, appuyez sur la touche Timer (13) pour enregistrer le mode d'activation de la minuterie. Appuyez sur Suivant ►► (15/21) ou Précédent ◀◀ (15/21) pour sélectionner le niveau de volume de l'activation de la minuterie et appuyez sur la touche Timer (13) pour terminer le réglage de la minuterie. L'appareil revient au mode de veille et l'écran affiche l'icône de la minuterie « ⌚ ».

Fonction d'activation/de désactivation de la minuterie (en mode veille seulement)

1. Pour activer la fonction de minuterie, appuyez une fois sur la touche « Timer » ; le témoin de la minuterie « ⌚ » s'affiche sur l'écran LCD (2).

2. Pour annuler la fonction de minuterie, appuyez à nouveau sur la touche « Timer » ; le témoin de la minuterie « ⌚ » disparaît.

Remarque : -

- Si aucune source audio n'est détectée (CD ou USB), lorsque l'heure prédéfinie est atteinte, le système se mettra par défaut sur la fonction « FM » pour le mode de réveil automatique. Le système sera programmé avec la dernière fréquence radio écoutée avant l'arrêt.
- Pour le réveil FM/DAB, le système sera programmé avec la dernière fréquence radio écoutée avant l'arrêt.
- Si le réveil avec une sonnerie est sélectionné, l'appareil émettra un « bip bip » à l'heure sélectionnée.
- Le mode de réglage de l'alarme dure environ 4 secondes, ce système reviendra automatiquement au mode normal si aucune touche n'est enfoncée dans ce laps de temps.
- Dans le mode de l'alarme active, appuyer sur la touche « active/inactive » (17) éteint le système.
- En raison de la taille réduite de l'affichage, l'icône de la minuterie « ⌚ » n'apparaît pas sur l'écran LCD dans le mode de fonctionnement FM/DAB.

B. Connexion Auxiliaire

Connectez l'appareil à d'autres dispositifs en connectant la prise d'entrée auxiliaire (2) avec un câble de 3,5 mm (non fourni) et l'autre extrémité est connectée à un appareil externe tel qu'un lecteur Discman/MP3 pour exécuter la lecture de musique ou la fonction d'encodage, etc.

- 1) Sélectionnez le mode « BT/AUX » en appuyant sur la touche de fonction (9) et l'appareil passera automatiquement en mode « ENTRÉE AUXILIAIRE » tant que le câble d'entrée auxiliaire est connecté.
- 2) Utilisez la touche (14) pour hausser/baisser le volume au niveau souhaité.
- 3) Commencez à écouter votre dispositif externe.

C. Utilisation de casque

Insérer la fiche de vos écouteurs dans la prise correspondante vous permettra d'écouter en privé.

LISEZ CES INFORMATIONS IMPORTANTES AVANT D'UTILISER VOS ÉCOUTEURS

- 1) Évitez une écoute prolongée à volume élevé, car cela pourrait endommager votre audition.
- 2) Si vos oreilles sifflent, réduisez le volume ou éteignez votre appareil.
- 3) Maintenez le volume à un niveau raisonnable pour pouvoir entendre les sons extérieurs.

CARACTÉRISTIQUES

ALIMENTATION CA	230 Vca ~, 50 Hz
FRÉQUENCE RADIO	FM 87,5 à 108 MHz DAB : 174,928-239,2 MHz
VERSION BLUETOOTH	V2.1

REMARQUE : En raison de l'exigence en deux étapes de l'ERP et des mesures de protection de l'environnement, l'appareil passe en mode veille automatiquement quand aucune musique n'a été jouée pendant plus de 15 minutes.

Garantie

Lenco propose un service et une garantie conformément à la législation européenne, ce qui signifie qu'en cas de besoin de réparation (aussi bien pendant et après la période de garantie), vous pouvez contacter votre revendeur le plus proche.

Remarque importante : Il n'est pas possible de renvoyer l'appareil pour réparation directement à Lenco.

Remarque importante : Si l'appareil est ouvert ou modifié de quelque manière que ce soit par un réparateur non agréé, la garantie serait caduque.

Cet appareil ne convient pas à une utilisation professionnelle. En cas d'utilisation professionnelle, les obligations de garantie du fabricant seront annulées.

Clause de non-responsabilité

Des mises à jour du logiciel et/ou des composants informatiques sont régulièrement effectuées. Il se peut donc que certaines instructions, caractéristiques et images présentes dans ce document diffèrent légèrement de votre configuration spécifique. Tous les articles décrits dans ce guide sont fournis uniquement à des fins d'illustration et peuvent ne pas s'appliquer à une configuration spécifique. Aucun droit légal ne peut être obtenu depuis les informations contenues dans ce manuel.

Mise au rebut de l'appareil usagé



Ce symbole indique que le produit électrique concerné ainsi que les piles ne doivent pas être jetés avec les autres déchets ménagers en Europe. Pour garantir un traitement correct des piles et de l'appareil usagés, veuillez les mettre au rebut conformément aux réglementations locales en vigueur relatives aux appareils électriques et autres piles.

En agissant de la sorte, vous contribuerez à la préservation des ressources naturelles et à l'amélioration des niveaux de protection environnementale concernant le traitement et la destruction des déchets électriques (directive sur les déchets des équipements électriques et électroniques).

Marquage CE

Par la présente, Lenco Benelux B.V., Thermiekstraat 1a, 6361 HB Nuth, Pays-Bas, déclare que ce produit est conforme aux exigences principales des directives européennes.

La déclaration de conformité peut être consultée à l'adresse techdoc@commaxxgroup.com



Service après-vente

Pour en savoir plus et obtenir de l'assistance, visitez www.lenco.com

Lenco Benelux BV, Thermiekstraat 1a, 6361 HB, Pays-Bas.

PRECAUCIÓN:

El uso de controles o ajustes o rendimiento de procedimientos excepto aquellos que los aquí especificados puede provocar una exposición peligrosa a la radiación.

PRECAUCIONES PREVIAS AL USO**TENGA ESTAS INSTRUCCIONES EN MENTE:**

1. No cubra o bloquee ninguna apertura de ventilación. Cuando coloque el dispositivo en una estantería, deje 5 cm (2") de espacio libre alrededor de todo el dispositivo.
2. Instálelo conforme al manual de usuario que se adjunta.
3. Mantenga el aparato alejado de fuentes de calor, como radiadores, calentadores, estufas, velas u otros productos que generen calor o llama viva. El aparato solo puede usarse en climas moderados. Se deben evitar los ambientes extremadamente fríos o cálidos. La gama de temperatura de funcionamiento es de entre 0° y 35°C.
4. Evite usar el dispositivo cerca de campos magnéticos fuertes.
5. Una descarga electrostática puede entorpecer el uso normal de este dispositivo. En tal caso, simplemente reinicielo siguiendo el manual de instrucciones. Durante la transmisión de archivos, por favor manéjelo con cuidado opérela en un entorno libre de electricidad estática.
6. ¡Advertencia! Nunca inserte un objeto en el producto a través de las ventilaciones o aperturas. Alto voltaje fluye a través del producto e insertar un objeto puede provocar una descarga eléctrica y/o un cortocircuito de sus componentes internos. Por el mismo motivo, no derrame agua o líquidos en el producto.
7. No lo utilice en zonas húmedas, como cuartos de baño, cocinas en las que se forme vapor ni cerca de piscinas.
8. El aparato no debe exponerse a goteos o salpicaduras y asegúrese de que se colocan sobre o cerca del aparato objetos llenos de líquidos, como jarrones.
9. No use este dispositivo cuando se pueda producir condensación. Cuando la unidad se usa en una sala húmeda cálida, se pueden formar gotitas de agua o condensación en el interior de la unidad y esta puede no funcionar adecuadamente; deje que la unidad se apague durante 1 o 2 horas antes de volver a encender la unidad: el aparato debe estar seco antes de conectarse a una fuente de alimentación.
10. Aunque este dispositivo está fabricado con el máximo cuidado y comprobado varias veces antes de salir de fábrica, todavía es posible que se puedan producir problemas, al igual que con todos los aparatos eléctricos. Si observa la aparición de humo, una acumulación excesiva de calor o cualquier otro fenómeno inesperado, deberá desconectar inmediatamente el enchufe de la toma de corriente.
11. Este dispositivo debe funcionar con una fuente de alimentación que se especifica en la etiqueta de especificaciones. Si no está seguro del tipo de alimentación que se usa en su hogar, consulte con el distribuidor o una compañía eléctrica local.
12. Manténgalo alejado de los animales. A algunos animales les encanta morder los cables de alimentación.
13. Para limpiar el dispositivo use un paño seco y suave. No utilice líquidos disolventes ni con base de petróleo. Para eliminar manchas difíciles, puede usar un paño húmedo con detergente diluido.
14. El proveedor no asume ninguna responsabilidad por daños o datos perdidos provocados por un funcionamiento incorrecto, uso incorrecto, modificación del dispositivo o sustitución de la batería.
15. No interrumpa la conexión cuando el dispositivo esté formateando o transfiriendo archivos. En caso contrario, los datos se pueden estropear o perder.
16. Si la unidad dispone de función de reproducción USB, se debe conectar la memoria USB directamente en la unidad. No utilice un cable de extensión USB ya que pueden crear interferencias que causen una pérdida de datos.
17. La etiqueta calificativa se encuentra en la parte inferior o en el panel posterior del aparato.
18. Este dispositivo no está diseñado para su uso por parte de personas (incluyendo niños) con discapacidad física, sensorial o mental o con falta de experiencia o conocimientos, salvo que se les haya dado supervisión o instrucciones acerca del uso correcto del dispositivo por parte de una persona responsable de su seguridad.
19. Este producto está diseñado para un uso no profesional únicamente y no para un uso comercial o industrial.

20. Asegúrese de que la unidad esté fijada en una posición estable. La garantía no cubrirá los daños derivados de usar este producto en una posición inestable, vibraciones o golpes o por no seguir otras advertencias o precauciones que aparecen en este manual de usuario.
21. Nunca retire la carcasa del dispositivo.
22. Nunca coloque este dispositivo sobre otro equipo eléctrico.
23. Mantenga las bolsas de plástico fuera del alcance de los niños.
24. Use únicamente los dispositivos/accesorios especificados por el fabricante.
25. Remita todas las reparaciones al personal cualificado. Es necesario el mantenimiento cuando el aparato presenta cualquier tipo de daño, por ejemplo, el cable de alimentación o el enchufe presentan daños; se ha vertido líquido sobre el aparato; se han caído objetos en el aparato; el aparato se ha expuesto a la lluvia o humedad; el aparato no funciona normalmente o se ha caído.
26. Una larga exposición a sonidos elevados de reproductores de música personales puede provocar una pérdida de audición temporal o permanente.
27. Si el producto viene con un cable de alimentación o un adaptador de corriente de CA:
 - Si se produce cualquier problema, desconecte el cable de alimentación CA y remítalo a mantenimiento por parte de personal cualificado.
 - No pise o pince el adaptador de alimentación. Tenga mucho cuidado, en especial en las zonas alrededor de las tomas y el punto de salida del cable. No coloque objetos pesados en el adaptador de alimentación, ya que pueden dañarlo. ¡Mantenga el dispositivo fuera del alcance de los niños! Si juegan con el cable de alimentación, puede sufrir lesiones graves.
 - Desconecte el dispositivo durante tormentas eléctricas o cuando no vaya a usarse durante periodos prolongados de tiempo.
 - La salida de la toma debe instalarse cerca del equipo y debe ser fácilmente accesible.
 - No sobrecargue las tomas CA o los cables de extensión. La sobrecarga puede provocar un incendio o una descarga eléctrica.
 - Los dispositivos con construcción de Clase 1 deben estar conectados a una toma de corriente con una conexión a tierra protegida.
 - Los dispositivos con construcción de Clase 2 no requieren una conexión a tierra.
 - Sujete siempre el enchufe cuando los extraiga de la toma de corriente. No tire del cable de alimentación. Esto puede provocar un cortocircuito.
 - No utilice un cable de alimentación o enchufe deteriorado o una toma suelta. Si lo hace, podría provocar un incendio o una descarga eléctrica.
28. Si el producto contiene o se entrega con un mando a distancia que contiene pilas de botón / celdas:

Advertencia:

 - “Ni ingiera la pila, riesgo de quemadura química” o frase equivalente.
 - [El mando a distancia que se suministra] Este producto contiene una pila de tipo botón/moneda. Si la pila se traga, puede provocar graves quemaduras internas en sólo 2 horas y podría ocasionar la muerte.
 - Mantenga las pilas nuevas o usadas fuera del alcance de los niños.
 - Si el compartimiento de las pilas no se cierra correctamente, deje de usar el producto y no lo deje al alcance los niños.
 - Si tiene la sospecha de que una pila ha sido ingerida o se encuentra en algún lugar del cuerpo, busque inmediatamente atención médica.
29. Precaución sobre el uso de las pilas:
 - Existe riesgo de explosión si la pila no se sustituye correctamente. Sustitúyala únicamente con otra del mismo tipo u otro equivalente.
 - No se pueden exponer las pilas a temperaturas extremadamente altas o bajas, baja presión de aire a gran altitud durante el uso, almacenamiento o transporte.
 - Si cambia la pila por otra que no sea la correcta, se puede producir una explosión o la fuga de líquidos o gases inflamables.
 - Si arroja la pila al fuego o a un horno caliente, o aplasta o corta mecánicamente una pila, podría provocar una explosión.

- Si deja una pila en un lugar con temperaturas extremadamente altas, se puede producir una explosión o una fuga de líquido o gas inflamable.
- Si se expone la pila a una presión de aire extremadamente baja, se puede producir una explosión o la fuga de líquidos o gases inflamables.
- Se debe prestar atención a los aspectos medioambientales sobre la eliminación de baterías.

INSTALACIÓN

- Desembale todas las piezas y retire el material protector.
- No conecte la unidad a la corriente eléctrica antes de comprobar la tensión de la corriente y antes de que se hayan hecho todas las demás conexiones.

*** Estas instrucciones solo están relacionadas con productos que usen un cable de alimentación o un adaptador de corriente CA.**

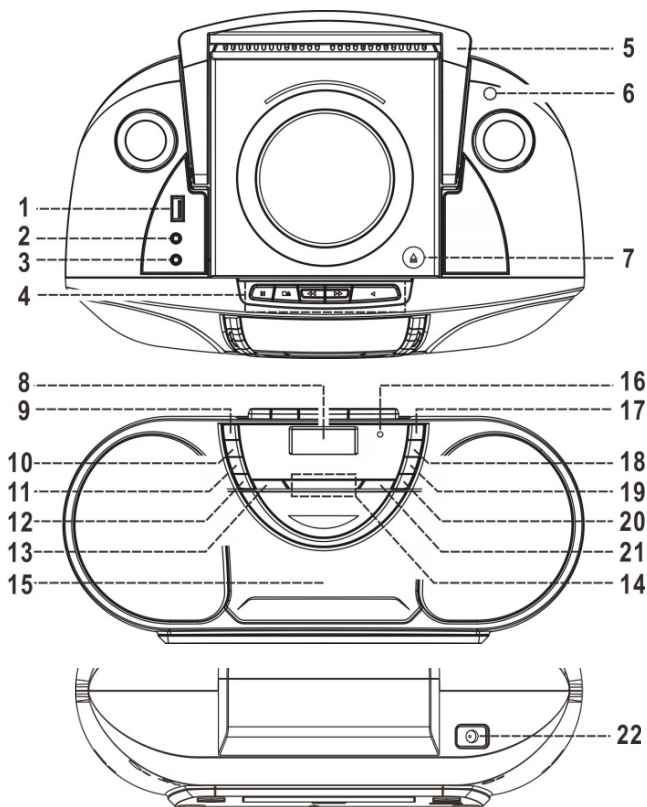
 <p>El relámpago con cabeza de flecha dentro de un triángulo es una señal de advertencia alertándole de tensión peligrosa dentro del producto.</p>	<p style="text-align: center;">PRECAUCIÓN</p> <p style="text-align: center;">RIESGO DE DESCARGA ELÉCTRICA NO ABRIR</p> <p>PRECAUCIÓN: NO quite la cubierta ni la parte trasera para reducir el riesgo de descargas eléctricas. No hay piezas utilizables por el usuario en su interior. Remita las reparaciones al personal cualificado.</p>	 <p>El signo de exclamación dentro de un triángulo es una señal de advertencia alertándole de instrucciones importantes que acompañan al producto</p>
---	---	--



**PRODUCTO LÁSER
DE CLASE 1**

LOCALIZACIÓN DE LOS CONTROLES

- 1) Puerto USB
- 2) Toma de entrada auxiliar
- 3) Toma de auriculares de 3.5mm
- 4) Botón de casete
- 5) Asa
- 6) Antena FM
- 7) Abrir/cerrar puerta del CD
- 8) Pantalla LCD
- 9) Botón de función
- 10) Botón Detener ■/Enter
- 11) Botón Saltar/Sintonizar hacia abajo ◀◀
- 12) Botón Menú/Memoria/ajustar reloj
- 13) Botón Timer
- 14) Botón subir/bajar volumen
- 15) Puerta del casete
- 16) LED en espera
- 17) Botón Encendido/Apagado
- 18) Botón Reproducción/Pausa ▶▶/Búsqueda
- 19) Botón Saltar/Sintonizar hacia arriba ▶▶
- 20) Botón anterior/Retroceder carpeta ▲
- 21) Botón Info/Modo reproducción
- 22) Conector de CC



Precaución:

El uso de los controles o de los procedimientos excepto a aquellos especificados aquí pueden provocar una exposición peligrosa a la radiación.

Esta unidad no debe ajustarse o repararse por ninguna persona salvo personal de servicio cualificado.

Importante:

Debido a que los circuitos sensibles pueden causar interferencias a un sintonizador de radio cercano, apague esta unidad cuando utilice otros dispositivos de radio.

¡Debido a la complejidad del control MCU, desconecte la fuente de alimentación principal de la unidad si la unidad se detiene cuando esté funcionando! ¡Esto no constituye un mal funcionamiento del sistema!

Precauciones de uso

Instalación

- Desembale todas las piezas y retire el material protector.
- No conecte la unidad a la corriente eléctrica antes de comprobar la tensión de la corriente y antes de que se hayan hecho todas las demás conexiones.
- No cubra ninguna ventilación y asegúrese de que hay un espacio de varios centímetros alrededor de la unidad para su ventilación.

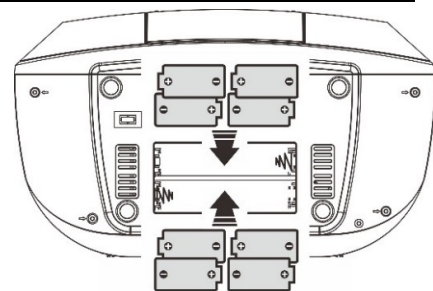
Conexión

1. Inserte el conector de CC del adaptador CA/CC incluido en el conector de CC (22), y después conecte el adaptador de CA/CC a la toma de corriente CA.
2. Cuando conecte por primera vez la unidad a la corriente eléctrica, la unidad entrará en modo en espera. Se iluminará el LED de modo en espera.
3. Encienda la unidad pulsando el botón "On/Standby" (17). Si la pantalla LCD (8) está encendida con retroiluminación, indica que la alimentación es normal. Ahora el sistema está listo para reproducir música.

Conexión CC

Para el funcionamiento de CC, introduzca 8 pilas de tamaño C (UM-2) en el compartimiento de las pilas y retire el enchufe de CA de la toma de corriente de CA y a continuación desconecte el cable de CA de la toma de CA.

Saque las pilas de la unidad mientras usa la fuente de alimentación de CC. Es recomendable que saque las pilas de la unidad si no tiene previsto utilizarla durante un largo período de tiempo.



Configurar el reloj

1. Fije la unidad en modo en espera.
 2. Mantenga pulsado el botón «Menu/Mem/clk-adj» (12), el dígito de la hora parpadeará en la pantalla LCD (8) Pulse el botón Saltar hacia abajo ◀◀ (11) o Saltar hacia arriba ▶▶ (19) para establecer la hora correcta. Pulse el botón "Menu/Mem/clk-adj" (12) para guardar la hora; posteriormente, parpadearán los dígitos de los minutos.
 3. Pulse el botón Saltar hacia abajo ◀◀ (11) o Saltar hacia arriba ▶▶ (19) para fijar los minutos correctos.
 4. Pulse el botón "Menu/Mem/clk-adj" (12) para guardar la hora correcta.
- **La hora fijada previamente se reiniciará completamente si desconecta la alimentación. Se recomienda que cambie el sistema al modo de espera para un correcto uso.**
 - **El reloj se sincronizará con el reloj RDS/DAB cuando se reciba la señal RDS/DAB si no se ha establecido el reloj con antelación.**

Escuchar la radio

Funcionamiento

Sintonización manual

1. Encienda la unidad mediante el botón Encendido/Apagado (17) y, a continuación, pulse el botón Función (9) hasta que llegue al modo «FM».
2. Pulse el botón Saltar hacia abajo **◀◀** (11) o Saltar hacia arriba **▶▶** (19) para sintonizar la emisora que desee.
3. Ajuste el botón subir/bajar volumen (14) al volumen que desee.

Sintonización automática

1. Ponga el aparato en modo FM.
2. Pulse el botón de escaneo automático (18) una vez; la unidad comenzará a escanear hacia arriba hasta que encuentre una emisora de radio. Pulse el botón de sintonización hacia abajo (11) una vez y a continuación pulse el botón de escaneo automático (18), la unidad escaneará hacia abajo. Si se recibe la señal de emisión del sistema de datos de radio (RDS), la unidad fijará la hora actual automáticamente.
3. Ajuste el dial de volumen (14) al nivel de volumen que desee.

Configuración de búsqueda FM

Cuando la sintonización automática encuentre demasiadas emisoras de radio débiles no deseadas, puede seleccionar emisoras fuertes con solo filtrar las **señales** más débiles.

1. En modo FM, pulse el botón «Menu/Mem/clk-adj» (12) para entrar en «Menu», y posteriormente pulse el botón Saltar hacia abajo **◀◀** (11) o Saltar hacia arriba **▶▶** (19) para seleccionar «Scan setting (Configuración de búsqueda)».
2. Pulse el botón «Stop/Enter» (10) para entrar en «Scan setting (Configuración de búsqueda)»; posteriormente, pulse el botón Saltar hacia abajo **◀◀** (11) o Saltar hacia arriba **▶▶** (19) para seleccionar «Strong stations only (Sólo emisoras fuertes)». Posteriormente, pulse el botón «Stop/Enter» (10) para confirmar la configuración.
3. Vuelva a realizar la sintonización automática según los pasos que aparecen arriba.

Recepción De FM y FM estéreo

- La unidad pasará al modo FM en Mono de forma predeterminada. Por tanto, si recibe una señal FM estéreo débil, cambie al modo FM estéreo pulsando el botón Menu (12) y, a continuación, pulse el botón Saltar hacia abajo **◀◀** (11) o Saltar hacia arriba **▶▶** (19) para seleccionar Audio setting (Ajustes de audio). Pulse el botón Enter (10) y pulse otra vez Saltar hacia abajo **◀◀** (11) o Saltar hacia arriba **▶▶** (19) para seleccionar FM stereo (FM estéreo) y, a continuación, pulse el botón Enter (10) para confirmar. Si la señal estéreo es débil y tiene interferencias, Es preferible cambiar el modo FM con el mismo procedimiento.

Consejos para una mejor recepción: -

FM: el receptor tiene una antena de varilla (6) en la parte posterior de la carcasa. Se debe extender totalmente para obtener la mejor recepción.

Sistema de datos de radio (RDS)

Esta es la función que muestra la información que emite la transmisión de radio y aparecerá en la pantalla LCD paso a paso, como se indica a continuación, al pulsar el botón «Modo reproducción/información» (21) de forma continua.

Texto de radio → tipo de programa → frecuencia → mono/estéreo → hora → fecha

Radio de emisión de audio digital audio (DAB)

1. Ajuste la unidad al modo DAB pulsando el botón de Función (9).
2. Pulse el botón «Reproducción/pausa **▶||**/Escaneo» (18) una vez; la unidad comenzará un escaneo completo desde el rango 11b-12d. Pulse el botón Sintonizar hacia abajo **◀◀** (11) o Sintonizar hacia

- arriba ►► (19) para seleccionar el canal DAB deseado y, a continuación, pulse el botón «Stop/Enter» (10) para confirmar el canal deseado.
3. Pulse el botón «Modo reproducción/información» (21) de forma continuada para comprobar que la información de abajo se emite en DAB.
Fuerza de la señal → tipo de programa → nombre de grupo → frecuencia → error de señal → velocidad de transferencia → hora → fecha
 4. Ajuste el dial de volumen (14) al nivel de volumen que desee.

Control de alcance dinámico

Este aparato tiene tres modos de alcance dinámico para coincidir con los diferentes tipos de programa en el modo DAB.

1. En modo DAB/FM, pulse el botón «Menu/Mem/clk-adj» (12) para entrar en el «Menu»; a continuación, pulse el botón Saltar hacia abajo ◀◀ (11) o Saltar hacia arriba ►► (19) para seleccionar «DRC».
2. Pulse el botón «Stop/Enter» (10) para entrar en la configuración «DRC»; posteriormente el botón Saltar hacia abajo ◀◀ (11) o Saltar hacia arriba ►► (19) para seleccionar el modo «DRC high/low/off (DRC alto/bajo/apagado)». Posteriormente, pulse el botón «Stop/Enter» (10) para confirmar la configuración.
3. En cualquier estado, pulse el botón «Menu/Mem/clk-adj» (12) para salir del modo de configuración.

Configuración de idioma

Este aparato ofrece 4 idiomas para la pantalla FM/DAB.

1. En modo DAB/FM, pulse el botón «Menu/Mem/clk-adj» (12) para entrar en el «Menu»; posteriormente el botón Saltar hacia abajo ◀◀ (11) o Saltar hacia arriba ►► (19) para seleccionar «System (Sistema)».
2. Pulse en botón «Stop/Enter» (10) para entrar en los ajustes del Sistema, a continuación pulse en el botón Saltar hacia abajo ◀◀ (11) o Saltar hacia arriba ►► (19) para seleccionar «Language (Idioma)» después pulse en el botón «Stop/Enter» (10) para entrar en el modo idioma, después pulse en el botón Saltar hacia abajo ◀◀ (11) o Saltar hacia arriba ►► (19) para seleccionar el idioma deseado entre inglés/francés/alemán/italiano. Posteriormente, pulse el botón «Stop/Enter» (10) para confirmar la configuración.
3. En cualquier estado, pulse el botón «Menu/Mem/clk-adj» (12) para salir del modo de configuración.

Emisoras presintonizadas

Puede almacenar hasta 20 emisoras de radio en la memoria (10-FM/10-DAB).

1. Fije el modo FM/DAB
2. Conecte la emisora de radio que desee utilizando el método de sintonización «manual» o «automático».
3. Mantenga pulsado el botón «Mem/clk-adj» (12) para activar el estado de la memoria.
4. Pulse el botón Saltar hacia abajo ◀◀ (11) o Saltar hacia arriba ►► (19) para elegir la memoria de la emisora que desee para guardarla.
5. Pulse el botón «Stop/Enter (Detener/Intro)» (10) para confirmar la configuración.
6. Repita los pasos 2 al 5 para guardar otras emisoras.

Recordar emisoras presintonizadas

1. Fije el modo FM/DAB
2. Pulse el botón Pre-up (20) para recuperar la emisora almacenada.
3. Pulse el botón Saltar hacia abajo ◀◀ (11) o Saltar hacia arriba ►► (19) para seleccionar la emisora recuperada que desee.
4. Vuelva a pulsar «Stop/Enter (Detener/Intro)» (10) para confirmar la emisora recuperada.

Reinicio de DAB/FM:

Si quiere borrar todas las emisoras FM/DAB almacenadas.

1. Fije el modo DAB o FM; pulse «Menu/Mem/clk-adj» (12) para entrar en «Menu», a continuación, pulse el botón Saltar hacia abajo **⏮** (11) o Saltar hacia arriba **⏭** (19) para seleccionar «System (Sistema)».
2. Pulse «Stop/Enter» (10) para entrar en la configuración de «System (Sistema)»; a continuación, pulse el botón Saltar hacia abajo **⏮** (11) o Saltar hacia arriba **⏭** (19) para seleccionar «Factory reset (Reinicio a fábrica)». Posteriormente, pulse «Stop/Enter» (10) para confirmar el reinicio de fábrica.
3. El aparato borrará todas las emisoras almacenadas.

Reproducir un disco CD/MP3

• Primeros pasos

1. Pulse el botón Function (9) para seleccionar el modo CD.
2. Abra la puerta del CD pulsando el botón abrir/cerrar puerta del CD (7). Coloque un CD en el compartimento y cierre la puerta del CD.
3. Se efectúa una búsqueda si hay un disco en su interior. Se lee el número total de pistas.

• Modo Reproducción/pausa **⏩**

1. Si se pulsa el botón Reproducción/Pausa **⏩** (18) durante el modo detener, se reproducirá la primera pista.
2. Si se pulsa el botón «Reproducción/Pausa **⏩**» (18) durante la reproducción, el sistema entrará en modo de pausa y el indicador de pausa se iluminará en la pantalla LCD (8). Vuélvalo a pulsar para volver a la reproducción normal.

• Modo detener **■**

1. Si se pulsa de botón detener **■** (10) durante el modo reproducción o pausa. La unidad entrará en modo detener y aparecerá el número total de pistas en la pantalla LCD (8).

• Modo saltar (salta arriba **⏭**/saltar abajo **⏮**)

1. Durante el modo pantalla, si se pulsa el botón Saltar hacia delante **⏭** (19) irá a la pista siguiente y mostrará el número de pista.
2. Durante el modo reproducción, si se pulsa el botón Saltar hacia atrás **⏮** (11), volverá al principio de la pista, al mismo número de la pista.
3. Tras el paso 2, vuelva a pulsar Saltar hacia abajo **⏮** (11); volverá a la pista anterior y reproducirá el principio de la pista.

• Para disco/archivo MP3

1. Coloque el MP3-CD en el compartimento del CD. Después de realizar una búsqueda, aparecerá el número total de pistas en la pantalla LCD (8).
2. Pulse el botón Saltar hacia arriba **⏭** o Saltar hacia abajo **⏮** (11/19) para seleccionar el número de pista.
3. Cuando se seleccione el álbum o la pista que desee, pulse el botón «Reproducción/Pausa **⏩**» (18) para iniciar la reproducción.

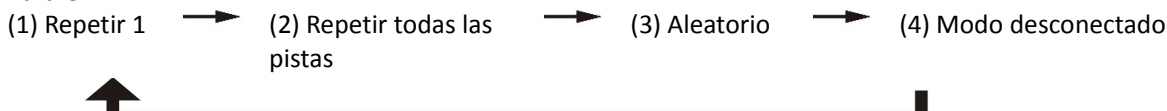
Observaciones

- Pulse el botón «Folder up **▲**» (20) en la unidad principal para seleccionar la carpeta MP3 hacia arriba.
- Aparecerá el número de pista en la pantalla LCD (8) y a continuación reproducirá esa pista cuando pulse el botón Reproducir/Pausa **⏩** (18).

• Modo Repetición/Aleatorio

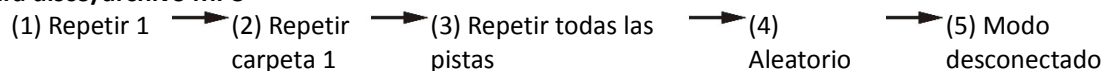
Pulse el botón «Play mode» (21) durante la reproducción para seleccionar la función repetir y aleatorio, una única pista, carpeta única (solo MP3); se pueden reproducir todas las pistas en modos diferentes de la manera siguiente: -

Para CD



	Indicador
Modo reproducción	en la pantalla LCD
Repetir pista	Repetir 1
Repetir todo	Repetir A
Aleatorio	Aleatorio
Modo desconectado	-----

Para disco/archivo MP3



	Indicador
Modo reproducción	en la pantalla LCD
Repetir una sola pista	Repetir 1
Repetir una sola carpeta	Repetir F
Repetir todas las pistas	Repetir A
Aleatorio	Aleatorio
Modo desconectado	-----

- **Repetir reproducción**

Con esta función, puede escuchar las pistas o carpetas deseadas de forma repetida.

- **Reproducción aleatoria**

Con esta función, puede escuchar todas las pistas en orden aleatorio

Programación del disco CD/MP3

Pueden programarse hasta 20 pistas para reproducir un disco en cualquier orden. Antes de usarlo, asegúrese de pulsar el botón detener.

1. Fije el modo CD.
2. Pulse el botón Memoria (12), aparecerá «P01&T000» en la pantalla LCD (8).
3. Seleccione la pista que desee usando los botones Saltar hacia arriba ►►/Saltar hacia abajo ◄◄ (19/11).
4. Pulse el botón Memoria (12) para introducir la pista en la memoria.
5. Repita los pasos 3 y 4 para introducir pistas adicionales en la memoria si es necesario.
6. Cuando se hayan programado todas las pistas que desee, pulse el botón «Reproducción/Pausa►►» (18) para reproducir el disco en el orden en el que se ha programado.
7. Pulse el botón «Stop ■» (10) para finalizar la reproducción programada.
- Pulse dos veces el botón «Stop ■» (10) del modo para CD para cancelar toda la memoria programada hasta que el indicador «Prog» desaparezca de la pantalla LCD (8).
- Para discos/archivos MP3, pulse el botón «Folder up» (20) para seleccionar directamente la 1ª pista de la siguiente carpeta y así acelerar la selección de la canción.
- El modo de programación se detendrá automáticamente si no se pulsa ningún botón en un periodo de aproximadamente 30 segundos tras pulsar el botón Memoria (12).

Observación: -

Exigencias de formato de pista MP3: -

- Velocidad de bits: 32 kbps~320 kbps, tasa de muestreo: 32 kHz, 44,1 kHz y 48 kHz decodificable
- El rendimiento de la reproducción de un disco MP3 depende de la calidad del disco y del método de grabación. Además, el tiempo de lectura de un disco MP3 es mayor que el de un CD normal debido a la diferencia de formato.

Reproducción de canciones MP3 mediante los medios de almacenamiento USB

Conectando

El sistema puede decodificar y reproducir todos los archivos MP3 que están almacenados en la tarjeta de memoria usando el puerto USB.

1. Ajuste el sistema al modo de espera en primer lugar o cualquier otra función, excepto el modo USB.
2. Conecte la tarjeta de memoria USB con la cara hacia arriba y asegúrese de introducirla por completo.
 - **Si conecta la tarjeta de memoria USB boca abajo o al revés podría averiar el sistema de audio o la tarjeta de almacenamiento. Compruebe que la dirección sea la correcta antes de la conexión.**
3. Encienda otra vez la unidad usando el botón de Encendido/Apagado (17) y pulse el botón de Función (9) para seleccionar el modo USB. El sistema empezará a leer automáticamente el medio de almacenamiento tras conectarlo y la pantalla LCD (8) mostrará el número total de archivos MP3 detectados.
4. Repita el mismo procedimiento de reproducción usado para reproducir discos CD/MP3 descrito anteriormente.

Observaciones

- El sistema solo puede detectar y leer archivos con formato MP3 en el modo USB, otros formatos de archivo de música no son compatibles.
- **Si conecta el sistema aun reproductor MP3 mediante la toma USB, debido a las variaciones en el formato del sistema, puede que no se reproduzcan algunos reproductores MP3 mediante la toma USB. No se trata de un mal funcionamiento del sistema.**
- **El puerto USB no admite la conexión con el cable alargador USB y no está diseñado para la comunicación con el ordenador.**
- **Debido a los requisitos de la fase dos de ERP y para proteger el medio ambiente (solo en el mercado europeo), La unidad cambiará al modo de espera automáticamente si no se detecta ninguna reproducción de música durante más de 15 minutos.**

Extraer el USB

Para quitar la memoria USB, apague la alimentación o cambie en primer lugar el modo de función a modo cd o sintonizador, a continuación desenchúfela sacando la toma USB directamente

Conexión y reproducción de Bluetooth

1. Pulse el botón Function (9) para seleccionar el modo «BT/AUX».
2. Si no se conecta la toma de entrada auxiliar (Aux in), el sistema cambiará al modo BT automáticamente y aparecerá «BT» con el parpadeo de «Pairing (Emparejamiento)» en la pantalla LCD (8). Significa que el Bluetooth se encuentra en modo de búsqueda.
3. Encienda la función Bluetooth de su dispositivo Bluetooth (como un teléfono móvil) y seleccione equipo Bluetooth «Lenco SCD-690» para conectarse.
4. Una vez conectado correctamente, aparecerá «BT Connected (BT Conectado)» en la pantalla LCD (8). Comience a reproducir desde su dispositivo Bluetooth y disfrute de la música.
5. Ajuste el botón subir/bajar volumen (14) al nivel de volumen deseado.
6. Para desconectar la conexión Bluetooth, apague la función Bluetooth de su dispositivo Bluetooth. Aparecerá «BT» en la pantalla LCD con el parpadeo de «Pairing (Emparejamiento)» para emparejar un nuevo dispositivo o apagar la unidad.

Escuchar una cinta

Funcionamiento general

Tecla detener/expulsión	Púlselo para detener el funcionamiento de la pletina. Vuélvalo a pulsar para abrir la puerta del casete.
Tecla avance rápido y rebobinado rápido	Púlselo para iniciar el rebobinado rápido bien en dirección hacia delante o hacia atrás. Pulse la tecla Stop/Expulsar y la bobina del cassette dejará de girar.
Tecla reproducción	Púlselo para iniciar la reproducción de la cinta.
Tecla Pausa	Púlselo para detener el funcionamiento de la cinta temporalmente. Vuélvalo a pulsar para reanudar la reproducción.

Reproducción

- Seleccione "Tape (Cinta)" mediante el botón función (9)
- Introduzca la cinta de casete.
- Pulse la tecla ► para activar la reproducción.
- Ajuste el control subir/bajar volumen (14) al nivel que desee.
- Use la tecla de Pausa ■■ cuando desee detener temporalmente la reproducción.
- Pulse la tecla detener/expulsión ■▲ cuando haya acabado.

Más propiedades

A. Configuración de la alarma del reloj

Esta función permite que el sistema se encienda automáticamente y lo active en modo CD, FM/DAB, zumbador o USB. Configure el sistema al modo de espera, a continuación mantenga pulsada la tecla «Timer» para entrar en el modo de configuración del temporizador, aparecerá Temporizador en hora en la pantalla LCD, además, el reloj del temporizador parpadeará el dígito de la hora, esto significa que la unidad está lista para entrar en el modo de ajuste del temporizador.

- 1) Configuración de conexión de hora : Pulse Saltar hacia arriba ►► (19/11) o Saltar hacia abajo ◄◄ (19/11) para ajustar la hora. A continuación, pulse el botón Timer (13) para guardar la hora de inicio del temporizador; los dígitos de los minutos parpadearán; pulse saltar hacia arriba ►► o hacia abajo ◄◄ (19/11) para fijar los minutos. Posteriormente, pulse el botón Timer (13) para guardar la hora de activación del temporizador.
- 2) Configuración de hora apagada : Tras realizar el paso anterior, la pantalla LCD mostrará «Timer Off (Temporizador desactivado)» y los dígitos de la hora parpadearán. Pulse saltar hacia arriba ►► o hacia abajo ◄◄ (19/11) para fijar la hora. A continuación, pulse el botón Timer (13) para guardar la hora de apagado del temporizador; los dígitos de los minutos parpadearán; pulse saltar hacia arriba ►► o hacia abajo ◄◄ (19/11) para ajustar los minutos. Después, pulse el botón Timer (13) para guardar la hora de apagado del temporizador.
- 3) Modo : Posteriormente, pulse Saltar hacia arriba ►► o Saltar hacia abajo ◄◄ (19/11) para seleccionar el modo de activación del temporizador. Después, pulse el botón Timer (13) para guardar el modo de activación del temporizador. Pulse Saltar hacia arriba ►► o Saltar hacia abajo ◄◄ (15/21) para seleccionar el nivel de volumen del temporizador y pulse el botón Timer (13) para completar la configuración del temporizador. La unidad volverá al modo en espera y la pantalla mostrará el icono del temporizador «⌚».

Activar/desactivar la función del temporizador (solo en modo en espera)

1. Para activar la función del temporizador, pulse el botón «Timer» cuando el indicador del temporizador «⌚» aparezca en la pantalla LCD (2).

- Para cancelar la función del temporizador, vuelva a pulsar el botón «Timer» el indicador del temporizador «⌚» desaparecerá.

Observación: -

- Si no se detecta una fuente de música (CD o USB) a la hora preestablecida, el sistema pasará por defecto a la función «FM» para activar el modo de despertador. El sistema también pre establecerá la última frecuencia de radio que se está escuchando antes de apagarse.
- Para activar FM/DAB, el sistema también pre establecerá la última frecuencia de radio que se está escuchando antes de apagarse.
- Si se selecciona activar al zumbador, la unidad emitirá un «pitido» a la hora seleccionada.
- El modo de configuración de alarma dispone de aproximadamente 4 segundos; este sistema volverá al modo normal automáticamente si no se pulsa ninguna tecla en ese intervalo de tiempo.
- Durante el modo de alarma conectada, pulsar el botón «encendido/apagado» (17) apagará el sistema.
- Debido a la limitación del tamaño de la pantalla, el icono del temporizador «⌚» no aparecerá en la pantalla LCD durante el funcionamiento en modo FM/DAB.

B. Conexión a la entrada auxiliar

Conecte la unidad a otros dispositivos conectando la toma de entrada auxiliar (Aux in) (2) con un cable de 3,5 mm (no incluido) y conecte el otro extremo al dispositivo externo, como el reproductor Discman/MP3, para efectuar la reproducción de música o la función de codificación, etc.

- 1) Seleccione el modo «BT/AUX» al pulsar el botón de función (9) y la unidad cambiará de forma automática al modo «AUX IN» siempre que el cable de entrada auxiliar (Aux-in) esté conectado
- 2) Ajuste el botón subir/bajar volumen (14) al nivel de volumen deseado.
- 3) Comience a reproducir su dispositivo externo.

C. Uso de auriculares

Si introduce el enchufe de sus auriculares en la toma de auriculares podrá escuchar en privado.

LEA ESTA INFORMACIÓN IMPORTANTE ANTES DE USAR LOS AURICULARES

- 1) Evite una reproducción prolongada a un volumen elevado ya que esto puede dañar su audición.
- 2) Si experimenta pitidos en los oídos, reduzca el volumen o apague la unidad.
- 3) Mantenga el volumen a un nivel razonable para que pueda escuchar los sonidos exteriores.

ESPECIFICACIONES

INTERRUPTOR DE CA	CA 230 V~, 50 Hz
FRECUENCIA DE RADIO	FM 87,5 -108 MHz DAB: 174,928-239,2 MHz
VERSIÓN BLUETOOTH	V2.1

NOTA: Debido a los requisitos de la etapa dos de ERP y para proteger el medio ambiente, la unidad cambiará al modo de espera de forma automática si no se reproduce música transcurridos 15 minutos.

Garantía

Lenco ofrece servicio y garantía en cumplimiento con las leyes de la Unión Europea, lo cual implica que, en caso de que su producto precise ser reparado (tanto durante como después del periodo de garantía), deberá contactar directamente con su distribuidor.

Nota importante: No es posible enviar sus reparaciones directamente a Lenco.

Nota importante: Si la unidad es abierta por un centro de servicio no oficial, la garantía quedará anulada.

Este aparato no es adecuado para el uso profesional. En caso de darle un uso profesional, todas las obligaciones de garantía del fabricante quedarán anuladas.

Exención de responsabilidad

Regularmente se llevan a cabo actualizaciones en el Firmware y en los componentes del hardware. Por esta razón, algunas de las instrucciones, especificaciones e imágenes incluidas en este documento pueden diferir ligeramente respecto a su situación particular. Todos los elementos descritos en esta guía tienen un objetivo de mera ilustración, y pueden no ser de aplicación en su situación particular. No se puede obtener ningún derecho ni derecho legal a partir de la descripción hecha en este manual.

Eliminación del antiguo dispositivo



Este símbolo indica que no deberá deshacerse del producto eléctrico o batería en cuestión junto con los residuos domésticos, en el ámbito de la UE. Para garantizar un tratamiento residual correcto del producto y su batería, por favor, elimínelos cumpliendo con las leyes locales aplicables sobre requisitos para el desecho de equipos eléctricos y baterías. De hacerlo, ayudará a conservar recursos naturales y mejorar los estándares de protección medioambiental en el tratamiento y eliminación de residuos eléctricos (Directiva sobre la Eliminación de Equipos Eléctricos y Electrónicos).

Marca CE

Por la presente, Lenco Benelux B.V., Thermiekstraat 1a, 6361 HB Nuth, Países Bajos, declara que este producto cumple con las exigencias esenciales de la directiva de la UE.

Se puede consultar la declaración de conformidad a través de techdoc@commaxxgroup.com



Servicio

Para obtener más información y soporte del departamento técnico, por favor, visite la página web www.lenco.com

Lenco Benelux BV, Thermiekstraat 1a, 6361 HB, Países Bajos.