

# Metal enclosure

aluminium 171 x 121 x 55 mm Aluminium IP 65



---

Ingress protection from moisture and dust

---

Ideal for industrial and automated engineering

---

Inner part of the housing base is provided with formations for horizontal fastening of the printed board, connections for earthing, terminals and other

---

Guiding grooves for vertical installing of the printed boards are provided inside the enclosure

---

Holes for lid fastening screws are provided with internal thread

---

## SPECIFICATION:

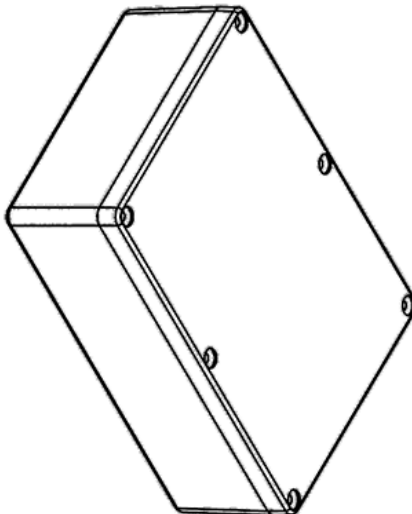
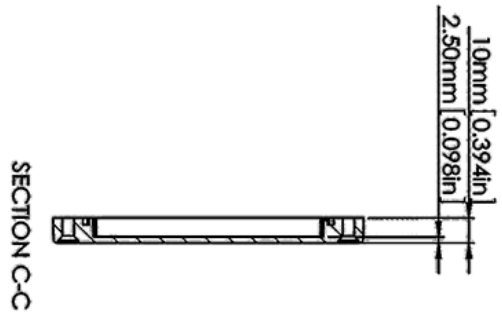
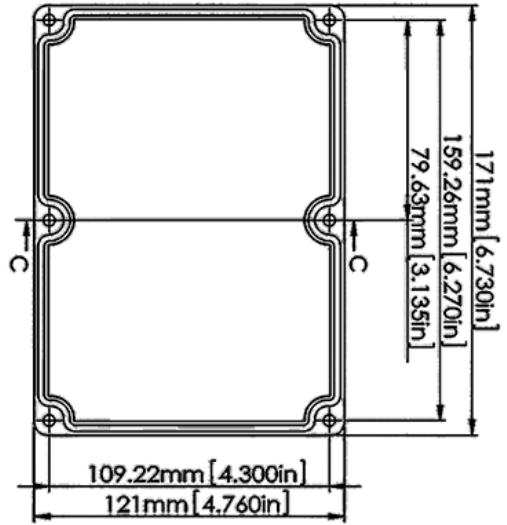
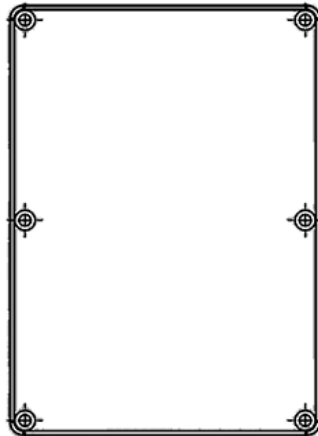
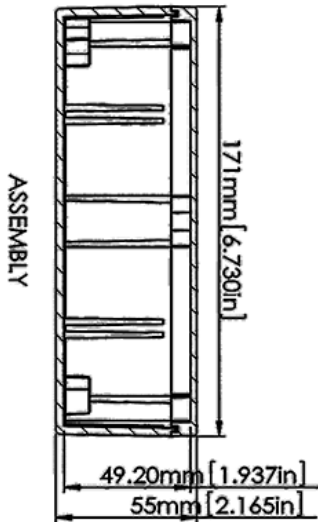
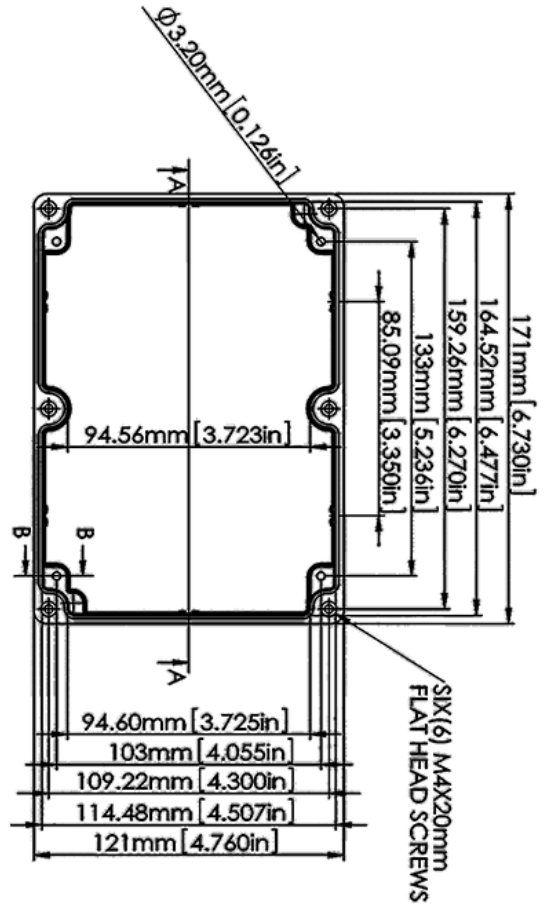
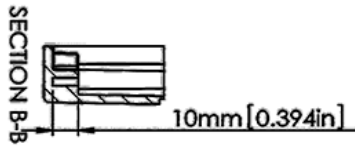
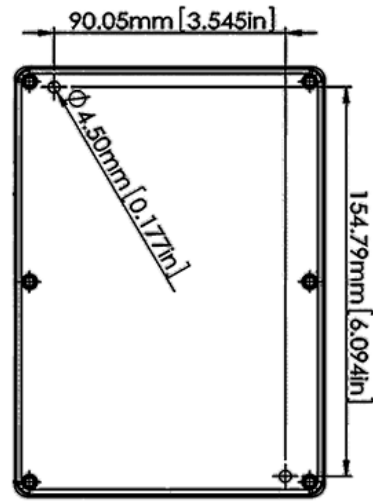
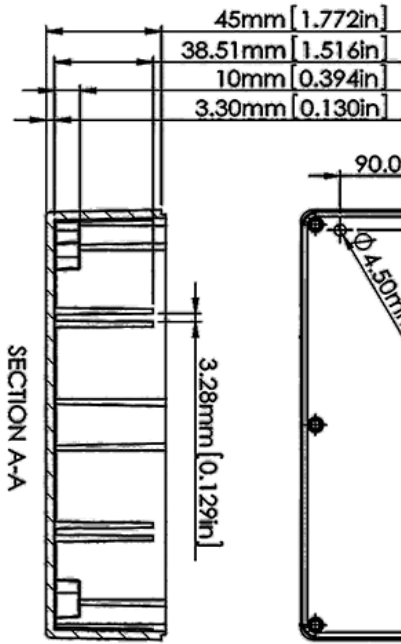
Colour	aluminium
Material	Aluminium
Dimensions L x W x H	171 x 121 x 55 mm
Protection rating	IP 65
Mounting	Screws

---



**Art. Nr.**

**RND 455-00372**



According to ISO 2768-m	
Measuring DIM=L	Tolerances
0.5<L<=3.0mm	+0.1mm
3.0<L<=6.0 mm	+0.1mm
6.0<L<=30.0 mm	+0.2mm
30.0<L<=120.0 mm	+0.3mm
120.0<L<=400.0 mm	+0.5mm
400.0<L<=1000.0 mm	+0.8mm