

Plastic enclosure

115 x 65 x 40 mm dark grey

ABS IP 65/NEMA 4

Plastic Enclosures, RND



FEATURES:

Integral guides and standoffs for vertical and horizontal PCB mounting

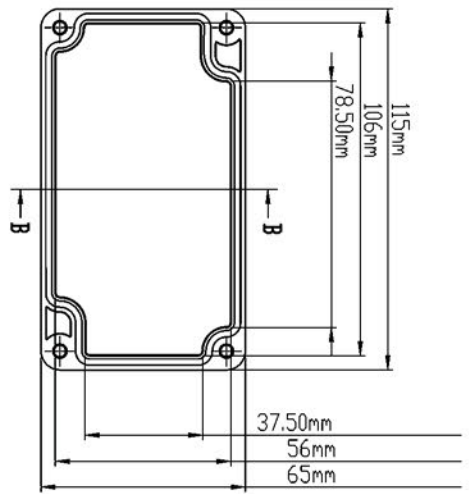
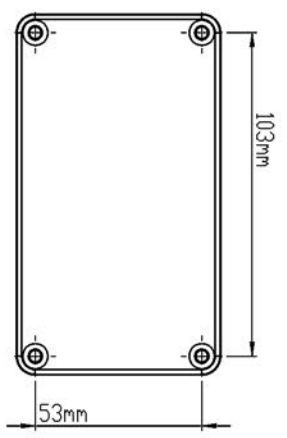
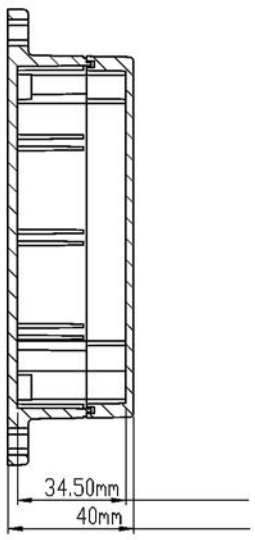
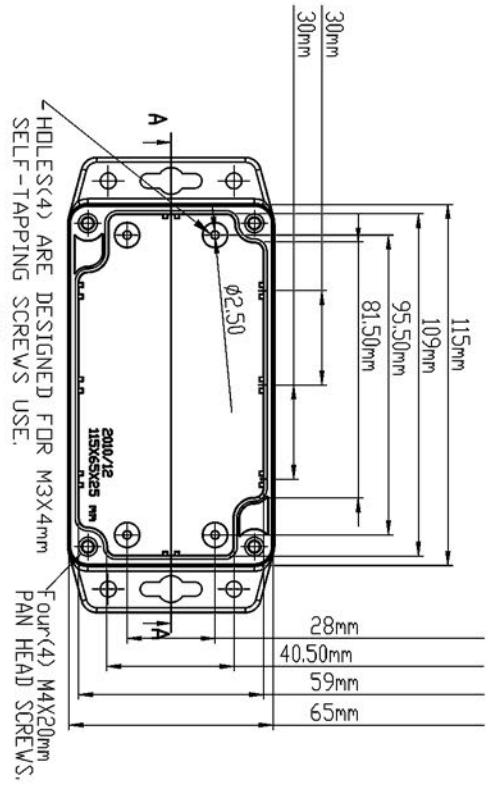
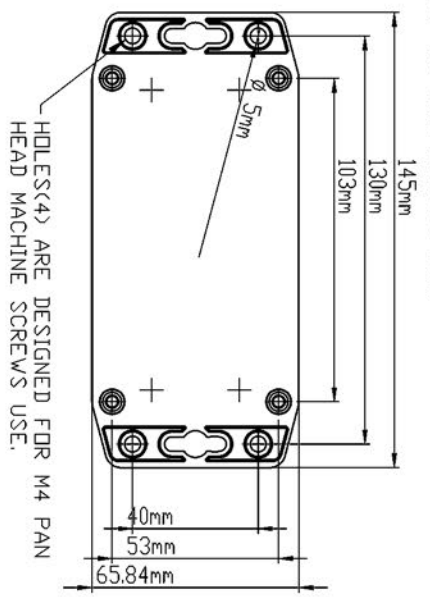
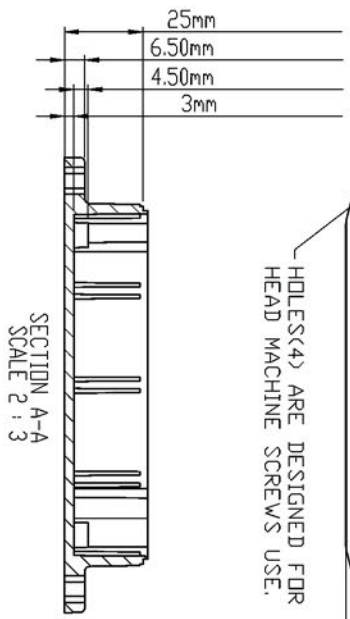
SPECIFICATION:

Dimensions L x W x H	115 x 65 x 40 mm
Colour	dark grey
Material	Polycarbonate
Protection rating	IP 65/NEMA 4
Fire class	UL 94 HB
Mounting	Flange
Temperature range	-20...+80 °C

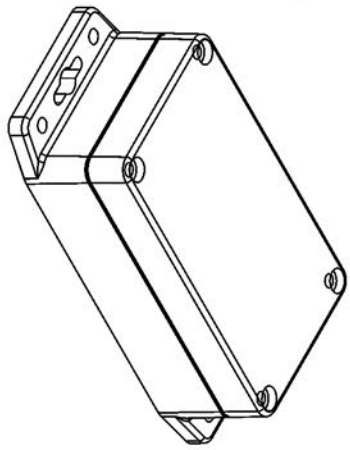
PRODUCT RANGE:

Art. Nr.

RND 455-00248



TOLERANCES: +/- 0.30 mm(+/- 0.012in)



SECTION B-B
SCALE 2 : 3

