

PLAY25X product information sheet



Make the most of your TV investment with a mount that accommodates every activity comfortably! The ActionMount moves every-which-way to position your TV near the floor (for activities like exercising) or up high (while standing, gaming and group viewing). Don't just sit in front of your TV, interact with it!

Product Benefits*

- Smooth omni-directional TV movement
- Arm requires only a light-touch to move
- Comfortably position the TV for every activity
- Enhance picture and 3D viewing with the right screen angle
- Lower for viewing near the floor and lift for standing activities
- Improves ergonomic viewing, relieving eye, neck and back strain
- Discreetly nest TV to the wall when not in use
- Stop feature prevents arm from touching wall
- Rotation offers screen leveling or portrait orientation
- Great for areas with limited wall space
- Cable management routes wires from TV to wall
- Great for family rooms, game rooms, kitchens and more
- Includes all necessary hardware for TV and mount

Product Specifications*

Fits most: 19–37" TVs/displays
Supports up to: 7–25 lbs (3.2–11.41 kg)
Mounting profile: 4.4" (112mm)
Maximum extension: 33.5" (850mm)
Lift: 20" (508mm)
Tilt: +5° to -75°
Rotation: 360° with 0° lockout
VESA compliance: 100x100 and 200x200
Mounting: Single-stud or solid wall
Warranty: 5 years
Color: Polished aluminum



Designed with Ergotron's patented Constant Force (CF) technology, the ActionMount arm effortlessly moves a TV into the desired position.

*Subject to change

800.MOUNT.IT (800.668.6848)

Series



PLAY20



PLAY20X



PLAY40

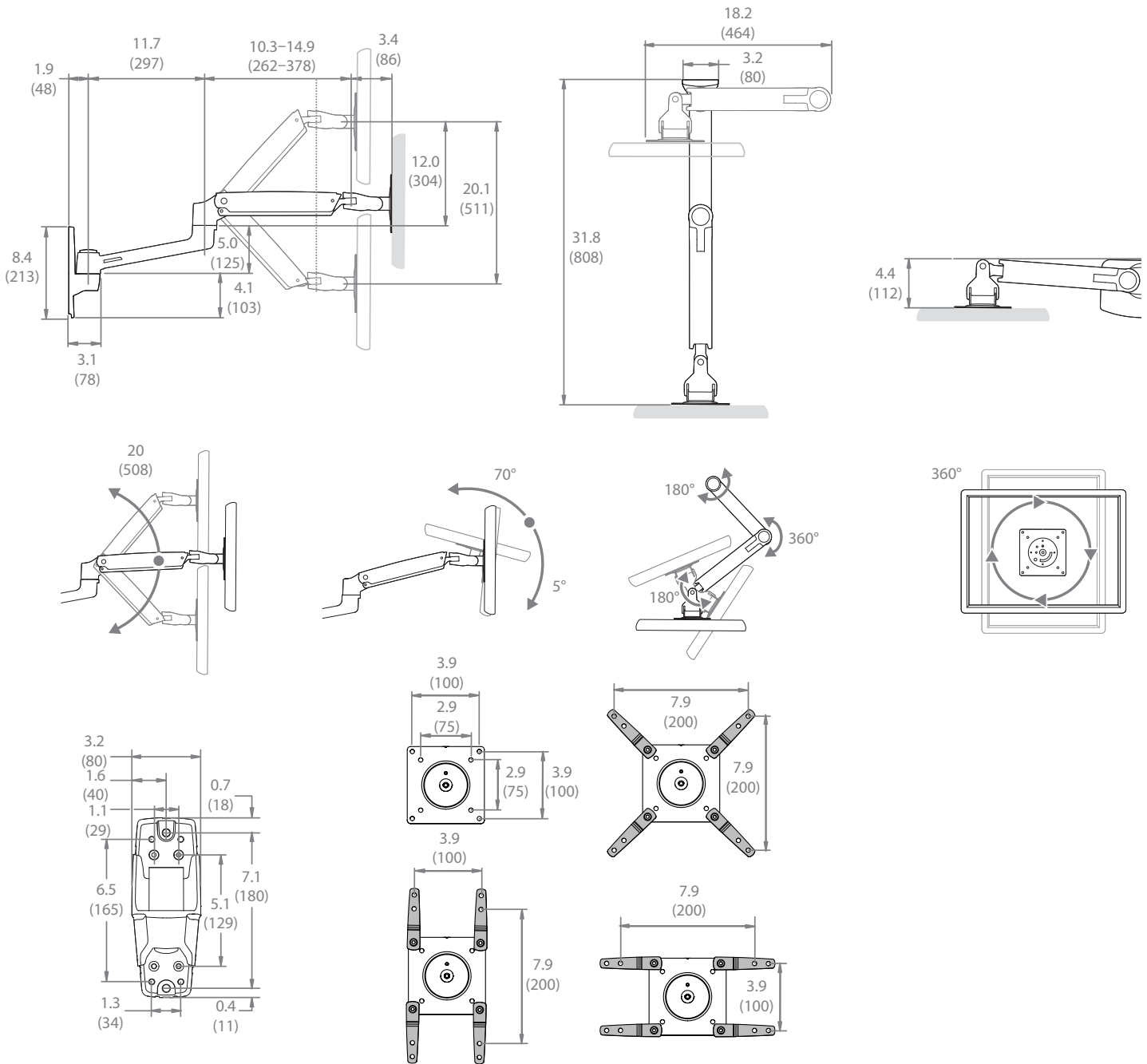


PLAY70



10242012

PLAY25X technical data sheet



inches (mm)

	Packaging UPC	MC UPC
Americas	698833034066	10698833034063
International	698833034066	10698833034063

	Dimensions WxDxH Inches (mm)	Wt lbs (kg)	Qty
Box	21.9 x 10.7 x 7 (555x272x177)	TBD	NA
MC	23.2 x 14.5 x 11.2 (590x368x285)	TBD	2

Box Contents	Qty
LX sit-stand arm	1
Wall mount	1
Extension	1

Box Contents	Qty
Instruction manual	1
Complete hardware kit	1

