

PJT40 product information sheet



The PJT40 is a universal projector mount with patent-pending MicroDial™ and QuickLock™ technology, offering toolless micro adjustments.

Product Benefits

- Complete out-of-box solution includes ceiling plate, 3" NPT, projector mount and all necessary hardware
- Lift n' Lock™ design offers easy, one-person installation
- All exposed hardware has unique penta shape for security
- A full 40 degrees of pitch and roll offer the most installation flexibility
- Patent-pending MicroDial™ design means pitch and roll are interchangeable, and micro adjustments are done by hand
- Patent-pending QuickLock™ feature for sliding connectors to the correct mounting position; no tools required
- Projector mount connectors can be tucked up for a lower profile or extended to access projector controls
- Includes complete hardware kit



Omni-directional turnbuckle design makes positioning the projector easy: pitch and roll are interchangeable and micro adjustments are done by hand

800.MOUNT.IT (800.668.6848)

Product Specifications

Fits most: Small to large projectors

Supports up to: 40 lbs (18.1 kg)

Pitch: +/- 16.5°

Roll: +/- 16.5°

Yaw: +/- 180°

UL Listed: Yes

Warranty: 5 years

Color: Black



Series



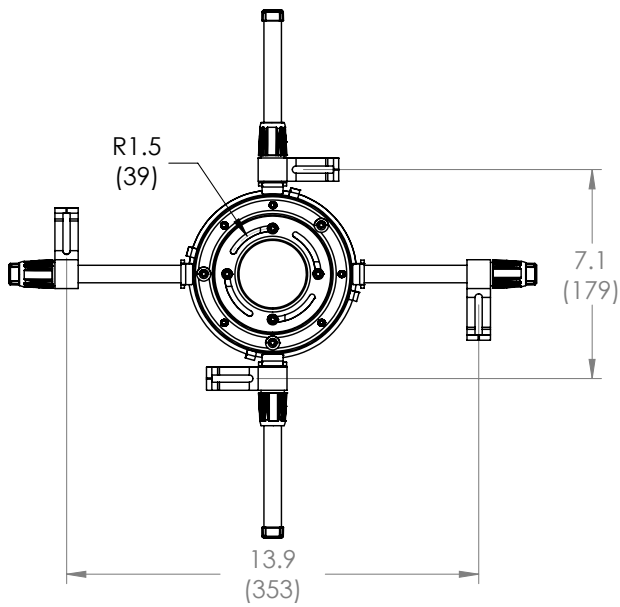
PJT40



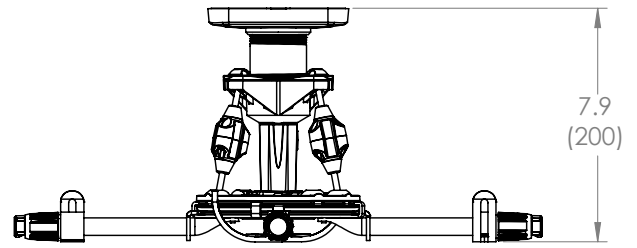
3N1-PJT



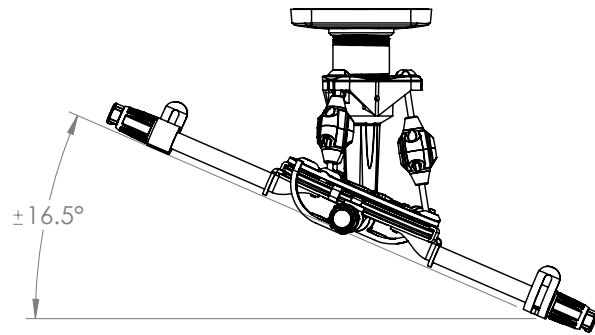
PJT40 technical data sheet



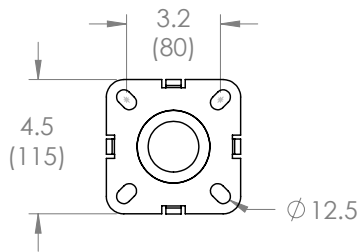
MIN/MAX MOUNTING PATTERN



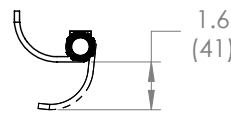
CEILING PROFILE



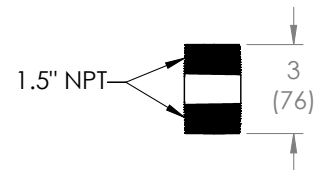
TILT/ROLL RANGE



CEILING PLATE



HEIGHT ADJUSTMENT RANGE



INCLUDED DROP PIPE



inches (mm)

	Packaging UPC	MC UPC
Americas	698833037814	10698833037811
International	NA	NA

	Dimensions WxDxH inches (mm)	Wt lbs (kg)	Qty
Box	17 x 8 x 6.6 (431x204x167)	7.1 (3.2)	NA
MC	17.4 x 16.9 x 7.6 (442x430x192)	16 (35.3)	2

Box Contents	Qty
Ceiling plate	1
Ceiling plate cover	1
Short NPT pipe	1
Articulation unit	1
Projector plate	1

Box Contents	Qty
Projector leg	4
Height adjustable foot	4
Complete hardware kit	1
Instruction manual	1