



15.0 C

Enhance your audio system with OmniMount's Stainless Steel Series 15.0 speaker mount. A top-of-the-line solution, the 15.0 mounts to the wall and can be positioned to direct sound exactly where you want it.

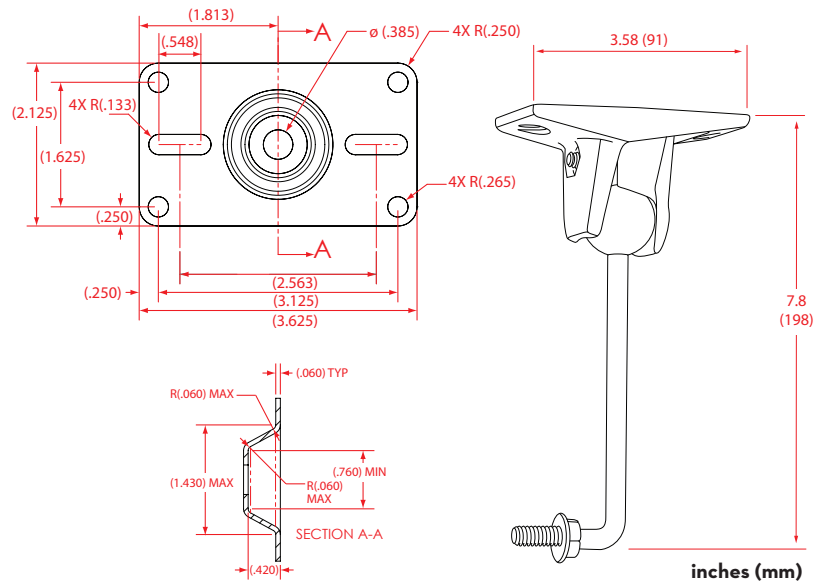


PRODUCT SPECIFICATIONS*

- Fits most:** Bookshelf speakers
- Supports up to:** 15 lbs (6,8 kg)
- Thread size:** 3/8" - 16
- Tilt:** +/- 30°
- Pan:** 180°
- Base Rotation:** 360°
- Color:** Black

PRODUCT BENEFITS*

- Polymer-injected ball controls resonance frequencies for better sound
 - Stainless steel hardware for strength and durability
 - Suitable for all weather use
 - Ball and clamp design for greater mounting flexibility
 - Includes clamp and jaw
 - Includes complete hardware kit
- *Subject to change



	UPC	Dimensions WxDxH inches (mm)	Wt lbs (kg)	Qty
Packaging	698833039917	9.5 x 5.5 x 7.3 (240x140x185)	1.8 (0,76)	--
Master Carton	698833039914	23.4 x 19.9 x 11.3 (595x505x287)	7.1 (3,2)	24

Box Contents	Qty
Clamp assembly	1
Wall ball shaft	1
Mounting plate	1

Box Contents	Qty
Polymer ball	1
Complete hardware kit	1
Instruction manual	1



OmniMount is a registered trademark and brand of Ergotron, Inc. ©2015 Ergotron, Inc. is a Nortek Company

800.MOUNT.IT (800.668.6848)



O9142015