

ITEM 396255

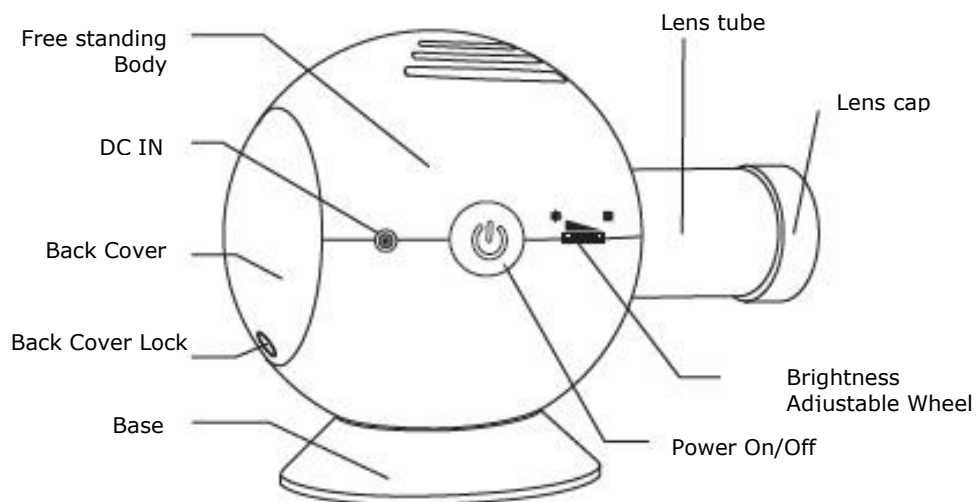


INTRODUCTION

This Analog Projection Clock combines the conventional clock design with modern technology, the features:

- Analog clock display.
- Adjustable projected clock size.
- Safe and long life LED lighting technology.
- Desk placement or ceilings mount

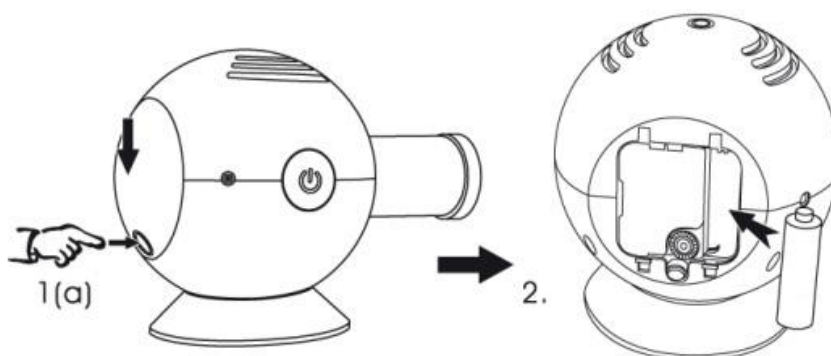
DESCRIPTION



INSTALLING / REPLACING THE BATTERY

The clock is powered by the battery only. The lighting of the clock is powered by A.C. power.

1. Remove the back cover by pressing the lock on the back cover with one hand, simultaneously pushing down the back cover with another hand.
2. Insert one new AA battery in the compartment as indicated by polarity symbols (+ and -) marked inside.
3. Put the back cover back.

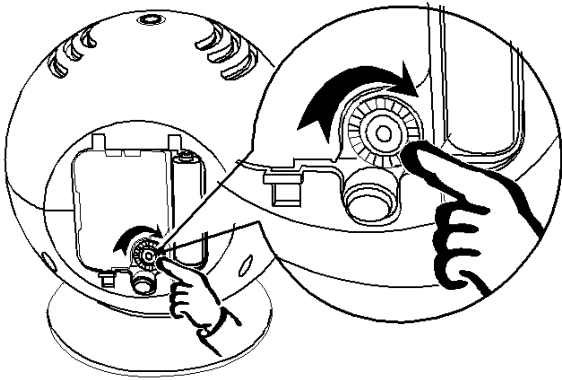


USING THE AC ADAPTOR

The lighting of the Clock is powered by AC through the supplied switching power AC adaptor.

Connect one end of the AC adaptor to DC IN on the Clock and plug in the other end.

SETTING THE TIME



1. Turn on the power by pressing $\text{\textcircled{U}}$ button.
2. Project the clock on a white wall or ceiling.
3. Make the projector image clear by pulling the lens forwards and backwards.
4. Open the back cover, like the step 1 of "installing/Replacing the battery".
5. Set the correct time by turning the time setting.

CHANGING THE COLOR FILTERS

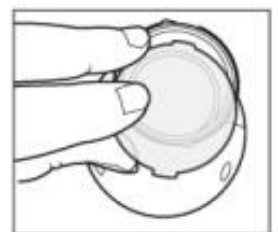
1. Remove the LENS cap by tuning the arrows on the LENS cap to point to the arrow on the LENS TUBE, then pull it straightforward (see below).
2. Place a COLOR FILTER inside the LENS TUBE, putting the 2 tabs on the COLOR FILTER into the slots on the LENS TUBE rim (see below).
3. Put LENS over the COLOR FILTER, then do the converse process of step 1.



1(a)



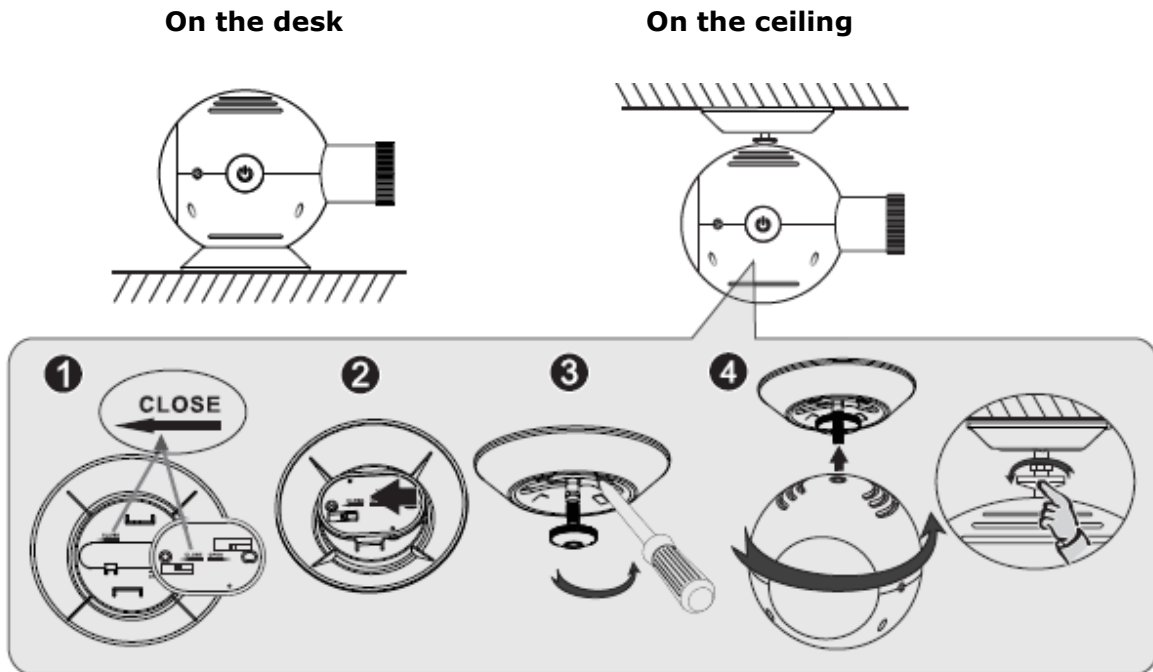
1(b)



2.

PLACING THE CLOCK

You can place the clock on the desk or mount on the ceiling.



DISPOSAL AT END OF WORKING LIFE:

Discarded appliances and electronic devices often still contain valuable materials, therefore do not throw them away, instead hand them in to the store where you buy a new appliance or to your local council recycling depot.

In accordance with the waste guidelines for electrical and electronic equipment, this product must be disposed of separately. If you wish to dispose of this product in the future, do NOT discard it with the household waste, but hand it in at your local refuse collection depot.

In compliance with the directives on Waste Electrical and Electronic Equipment, this product must not be discarded with domestic waste but should be disposed of separately for recycling. If you wish to dispose of this product in the future, do NOT throw it away with the household rubbish but hand it in at a specially designated place, such as your municipal domestic chemical waste depot.

Never throw empty batteries away, but deposit them in special battery boxes or hand them in as domestic chemical waste at your municipal depot.



