

865373

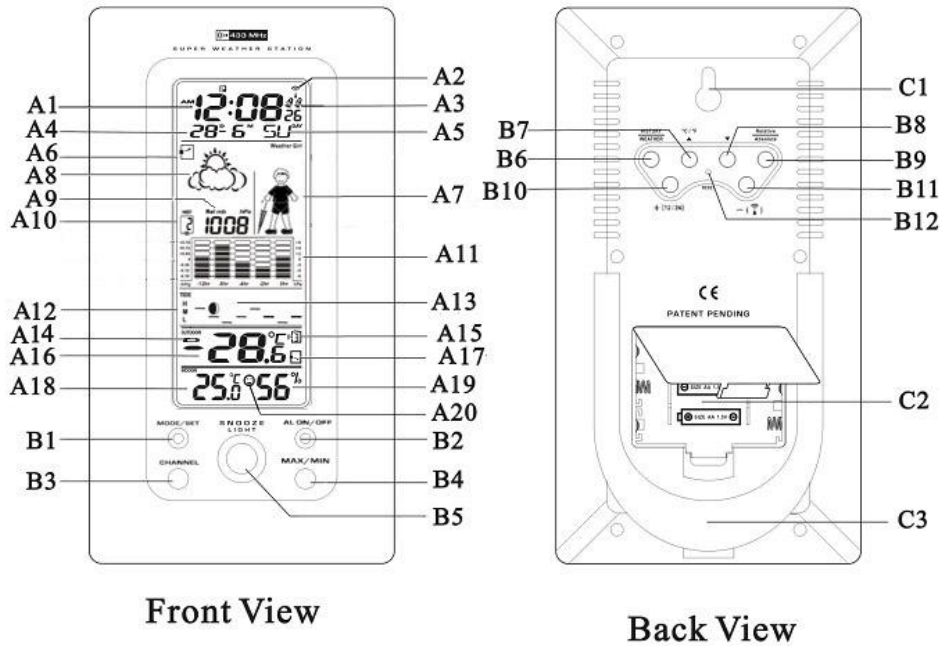


Features:

- Radio controlled time with Manual Time Setting option
- Weather Forecast
 - Weather Forecast with Sunny, Slightly Cloudy, Cloudy, Rainy and Cloud Burst animation
 - Weather Boy with suitable clothing in outdoor condition
- Barometric Pressure Measurement.
 - Current and past 12hr Absolute and Relative Barometric Pressure reading
 - Barometric Pressure Bar Chart.
 - Display in mb/hPa or inHg selectable.
- 433MHz RF Transmitting frequency.
- Maximum three selectable RF channels with wireless Thermo Sensor.
(One Wireless Thermo Sensor Included)
- Transmission range: 30 meters (open area).
- Measurable range:
 - Indoor temperature : 0°C ~ +50°C
 - Humidity : 20% ~ 99%
 - Outdoor temperature : -50°C ~ +70°C
- Max/Min Memory for Humidity, Indoor and Outdoor Temperature.
- Low-battery indicator for Outdoor Thermo Sensor.
- Perpetual Calendar Up to Year 2099.
- 12/24Hour time display selectable.
- 2 Alarm Function
- Moon Phase Display
- Day of week in 8 Languages Selectable.
- Wall Mount or Table Stand Selectable.
- Battery:
 - Main Unit : DC 1.5 V AA size x 3 pcs
 - Thermo Sensor Unit : DC 1.5 V AA size x 2 pcs
- Size :
 - Main Unit : 220 x 120 x 30 mm
 - Thermo Sensor Unit : 95 x 60 x 28 mm

Main Unit Appearance

Part A- LCD



A1: Radio Controlled Time

A3: Alarm On/Off Icon

A5: Week

A7: Weather Boy

A9: Absolute/ Relative Barometric Pressure Reading

A10: Past Hour(Pressure History)

A11: Barometric Pressure Bar Graph

A13: Moon phase

A15: Selected Channel

A16: Outdoor Temperature

A18: Indoor Temperature

A20: Comfort Icon

A2: Radio Control Icon

A4: Date & Month

A6: Barometric Pressure Trend

A8: Weather Forecast

A12: Tide

A14: Low Battery Icon


A17: Outdoor Temperature Trend

A19: Indoor Humidity

Part B- Button

B1: "MODE /SET" Button

B2: "AL on/off"

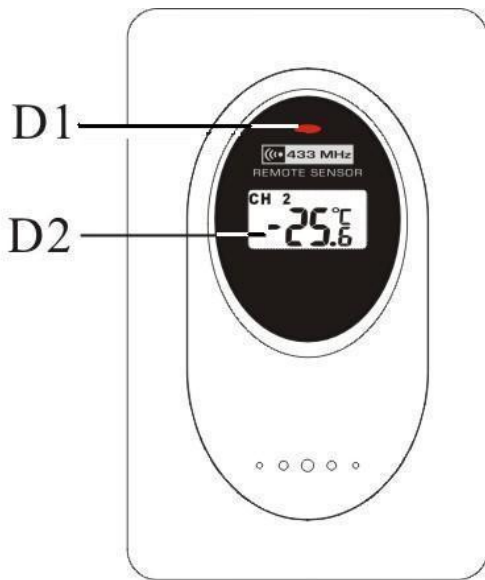
- B3: “CHANNEL” Button
- B5: “SNOOZE/LIGHT” Button
- B7: “▲ (UP) / °C/ °F” Button
- B9: “Absolute /Relative” Button
- B11: ”- /  ” Button

- B4: “MAX/MIN” Button
- B6: “HISTORY/ WEATHER” Button
- B8: “ ▼ (DOWN)” Button
- B10: ” + /(12/24)” Button
- B12: RESET” Button

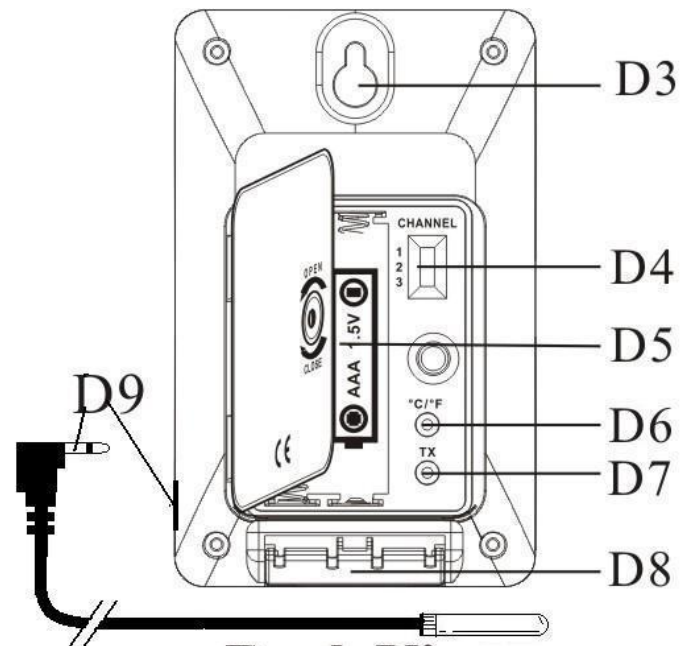
Part C- Structure

- C1: Wall Mount Hole
- C2: Battery Compartment
- C3: Stand

Thermo Sensor Unit Appearance.



Front View



Back View

- D1: Transmission Indication LED
- D3: Wall Mount Hole
- D5: Battery Compartment
- D7: “TX” button
- D9: Temperature Sensor Probe Plug & Jack


- D2: Outdoor Temperature
- D4: Channel Select Switch
- D6: °C/°F” button
- D8: Stand


Set Up:

- Insert batteries.
- Use a pin to press the RESET (B12) button

Weather Forecast Function:

- After Batteries inserted, or holding “WEATHER” button (B6) for 3 seconds, Weather Icon (A8) blinks. Enter the current weather condition by pressing “▲ “ (B7) or “▼ “ (B8) buttons. Press “WEATHER” button (B6) to confirm the setting. The weather forecast may not be accurate if the current weather condition entered is not correct.
- The current weather status should be entered again if the altitude of the weather station is changed. (Barometric pressure is lower at higher altitude location. Therefore, altitude change will affect the weather forecast). The weather station will start the first forecast at 6 hours after the current weather status is entered
- Totally 5 different weather condition in the weather forecast.


“  ” means **Sunny** .

“  ” means **Slightly Cloudy**.

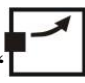
“  ” means **Cloudy**.

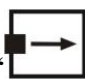
“  ” means **Rainy**


“  ” means **Cloudburst**.

“  ” is shown if the weather forecast is Rainy or Cloudburst and outdoor temperature (any channel) is under 0°C.

- If there is any inconsistency of weather forecast between Local Weather Station and this unit, the Local Weather Station's forecast should prevail. We will not held responsible for any trouble that may come up due to wrong forecasting from this unit.
- The trend pointer (LCD A6) indicates the trend of the barometric pressure.

“” indicates the barometric pressure trend is increasing.

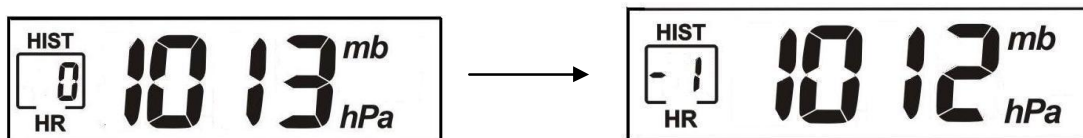
“” indicates the barometric pressure trend is steady.

“” indicates the barometric pressure trend is decreasing.

Barometric Pressure Reading

- Press “Absolute/Relative” button (B9) to select Absolute or Relative pressure display. “Abs” is shown for Absolute pressure, “Rel” is shown for Relative pressure.
- Absolute pressure is the actual pressure measured by the Main Unit.
- Relative pressure can be adjusted to sea level’s pressure by holding “Absolute/Relative” button (B9) for 3 seconds. Press “▲” (B7) or “▼” (B8) key to adjust, press “Absolute/Relative” button (B9) to confirm. Check the Local Weather Station for Sea Level pressure.
- Press “HISTORY” button (B6) to view the past 12 hours Barometric Pressure history. The hour is indicated on LCD-A10.

Press “HISTORY” button (B6)



- Press “HISTORY” button (B6) to view the past 12 hour Barometric Pressure history. The hour is indicated on the LCD.
 0 HR = Current Barometric Pressure Reading
 -1HR = Barometric Pressure Reading in 1 hour ago
 -2HR = Barometric Pressure Reading in 2 hour agoetc
- Hold “▲” button (B7) for three seconds to select the unit for Barometric Pressure Meter in inHg or mb / hPa.

Barometric Pressure Trend Bar Chart.

- The Barometric Pressure Reading at -2hr, -4hr, -8hr and -12hr is recorded and shown on Barometric Pressure Bar Graph (A11). The Graph is displayed in both hPa and inHg.

Weather Boy.

- Weather boy (A7) shows different clothing under different weather condition and Outdoor temperature (according to the lowest channel). This is to remind you to wear suitable clothes or take an umbrella with you before go to outdoor area.
- If there is no Thermo Sensor is registered in the main unit, LCD shows :



Thermometer:

- Press “°C / °F” button (B7) to select Temperature to be displayed in Celsius mode or Fahrenheit mode.
- If the temperature is out of the measurable range, LL.L (beyond the minimum temperature) or HH.H (beyond the maximum temperature) will be shown on the LCD.

Maximum/Minimum Temperature/Humidity recording function:

- Press “MAX/MIN” button (B4) to show the maximum or minimum of indoor and outdoor temperature.
“**MAX**” is shown on the LCD if maximum Temperature/Humidity is shown.
“**MIN**” is shown on the LCD if minimum Temperature/Humidity is shown.
- Hold “MAX/MIN” button (B4) for 3 seconds to clear the recorded maximum and minimum reading.

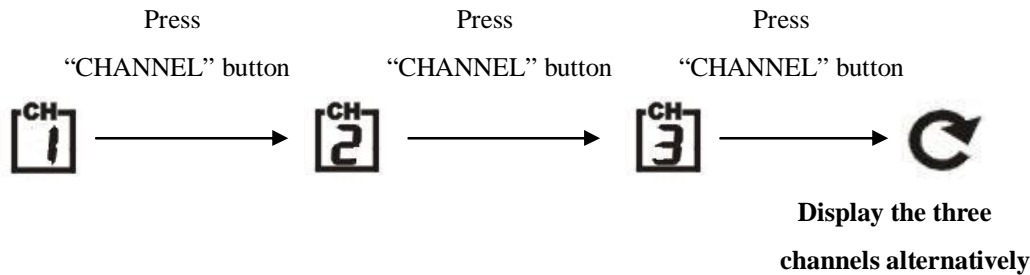
Outdoor Thermo Sensor Unit Registration Procedure:

- The main unit automatically starts receiving transmission from Outdoor Thermo Sensor after Weather condition setting. Outdoor temperature digits (A16) blinks.
- Insert the batteries in the Thermo Sensor Unit. The sensor unit automatically transmit temperature to the main unit. (Battery compartment (D5) of thermo sensor is located behind the back cover, unscrews to open.)
- For having more than one external transmitter (Maximum3), select the Channel, CH1, CH2 or CH3 to ensure each sensor is transmitting at difference channel before inserting batteries. The Channel select switch (D4) is at the back of the thermo sensor unit.

- Press “TX “ button (D7) on the thermo sensor unit to transmit temperature to the main unit manually. The main unit gives a “beep” sound if it received the temperature.

Display Outdoor Temperature :


- Press “ CHANNEL” button (B3) to view the 3 Channels’ temperature. The sequence is shown as follow:



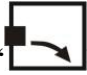
- Hold “ CHANNEL” (B3) button for 3 seconds to cancel unused channel. It will automatically register a new channel again if a new channel is received.

If there is no temperature displayed in existing channel (“ - - . -“ is displayed on the LCD), hold “CHANNEL” button (B3) for 3 seconds to cancel that channel and receive the channel again (“Beep” sound can be heard.) Then, press “TX “ button (D7) on the thermo sensor unit to transmit signal to the main unit manually

- The trend pointer displayed (A17) indicates the trend of the outdoor temperature.

“” indicates the outdoor temperature is increasing.

“” indicates the outdoor temperature is steady.








“” indicates the outdoor temperature is decreasing

- Press “ °C /°F” button (D6), on the Thermo Sensor unit, to select Temperature to be displayed in Celsius mode or Fahrenheit mode.

The use of 1.5m cord Temperature Probe:

- Insert the probe plug (D9) on the right hand side of the Thermo Sensor Unit.
- Put the metal casing outside and leave the Thermo Sensor Unit in an indoor area to avoid freezing up the battery when the outdoor temperature is below -20 °C.
- Always use the temperature probe to sense the temperature when the temperature is between the following range:
-50 °C ~ 0°C and +50°C ~ + 70°C

Radio Controlled Clock:

- At 2 minutes after batteries inserted, the clock automatically starts scanning the DCF time signal.
 “” flashes indicate now is receiving DCF signal
 “” turns on indicate signal received successfully
 If reception fail, scanning stops (“” disappear on the LCD) and repeats again at next hour. Totally four reception will be tried after starting. Each reception takes about 10 minutes.
- The clock automatically scans the time signal at 3.00 a.m. everyday to maintain accurate timing. If reception fail,, scanning stops (“” on the LCD disappear) and repeats again at 4.00 a.m. 5.00a.m. and 6.00a.m.
- The clock can be set to scans the time signal manually by holding “” button (B11) for 3 seconds. If receptions fail, scanning stops. (“” on the LCD disappear).
- Hold “” button (B11) for 3 seconds or enter Time Setting to stop scanning DCF time signal.
- Buttons will not function while scanning for DCF time signal unless they are well received or stopped manually.
- “DST” shown on the LCD if it is in Daylight Saving Time Mode

Manual Time Setting:

- Hold “ MODE/SET” button (B1) for 3 seconds to enter Clock/Calendar setting Mode .
- Press “+” (B10) or “-” (B11) buttons to adjust the setting and press “MODE/SET” button (B1) to confirm each setting.
- The setting sequence is shown as follow:

Hour, Minutes, Second, Year, Month, Day, Day-of-week language, Country,City and Time Zone.

- 8 languages can be selected in Day-of-week, they are: German, English, Russian, Denmark, Dutch, Italian Spanish and French,. The languages and their selected abbreviations for each day of the week are shown in the following table.

Language	Sunday	Monday	Tuesday	Wednesday	Thursday	Friday	Saturday
German, GE	SO	MO	DI	MI	DO	FR	SA
English, EN	SU	MO	TU	WE	TH	FR	SA
Russian, RU	BC	NH	BT	CP	HT	NT	CY
Denmark, DA	SO	MA	TI	ON	TO	FR	LO
Dutch, NE	ZO	MA	DI	WO	DO	VR	ZA
Italian, IT	DO	LU	MA	ME	GI	VE	SA
Spanish, ES	DO	LU	MA	MI	JU	VI	SA
French, FR	DI	LU	MA	ME	JE	VE	SA

- The Time zone is used for the countries where can receive the DCF time signal but the time zone is different from the German time.
- When the country time is faster than the German time for 1 hr, the zone should be set to +1.

Then the clock will automatically set 1 hour faster from the signal time received.

- The time setting mode will automatically exit in 15 seconds without any adjustment.

12/24 Hour Display mode:

- Press “12/24” button (B10) to select 12 or 24 hours mode.

2 Daily Alarm Function:

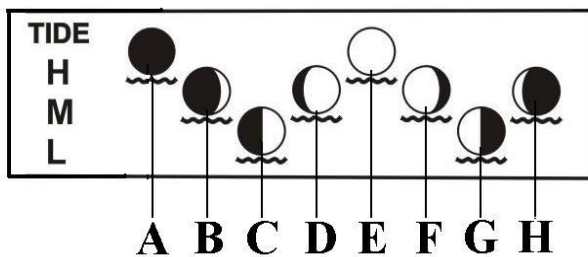
- Press “MODE/SET” button (B1) to select to view:

Time → Alarm Time1 (“🔔”) “ Shown on the LCD) → Alarm Time 2 (“🔔”) “ Shown on the LCD)

- When viewing Alarm Time 1 or Alarm Time 2, hold “MODE/SET” button (B1) for 3 seconds to enter that Alarm Time setting. Press “+” (B10) or “-” (B11) buttons to adjust the alarm time. Press “MODE/SET” button (B1) to confirm each setting.
- When viewing Alarm Time 1 or Alarm Time 2, press “ALARM” button (B2) to switch that alarm ON or OFF.
- Press “MODE/SET”(B1), “+”(B10), “-“(B11) button to stop the alarm.

Moon Phase and Tide Indication

The Moon Phase of each day is shown on the LCD.



A: New Moon

B: Waxing Crescent

C: First Quarter

D: Waxing Gibbous

E: Full Moon

F: Waning Gibbous

G: Last Quarter

H: Waning Crescent

Tide Status :

H : High Tide

M: Medium Tide

L: Low Tide

Low batteries indicator:

- Low battery icon “🔋” (A14) appear at outdoor temperature row in particular channel

indicating the external transmitter of the channel in low battery status. The batteries should be replaced.

Countries and Cities

There are 24 countries can be chosen from the Time Setting Mode. They are listed in the following table.

Germany	GER	La Corogna	LAC	Manchester	MAN	Enschede	ENS	Liege	LIE
Aachen	AAC	Leon	LEO	Plymouth	PLY	Groningen	GRO	Switzerland, liechtenstein	SWI
Berlin	BER	Las Palmas	LPA	Hungary	HUN	Den Haag	DHA		
Dusseldorf	DUS	Madrid	MAD	Budapest	BUD	Rotterdam	ROT	Basel	BAS
Dresden	DRE	Malaga	MAL	Croatia	CRO	Portugal	POR	Bern	BER
Erfurt	ERF	Palma de Mallorca	PDM	Zagreb	ZAG	Evora	EVO	Chur	CHU
Frankfurt	FRA	Salamanca	SAL	Italy	ITA	Coimbra	COI	Geneva	GEN
Flensburg	FLE	Sevilla	SEV	Ancona	ANC	Faro	FAR	Locamo	LOC
Freiburg	FRE	Valencia	VAL	Bari	BAI	Leiria	LEI	Luceme	LUC
Hannover	HAN	Zaragossa	ZAR	Bologna	BOL	Lisbon	LIS	St Moritz	MOR
Bremen	BRE	France	FRA	Cagliari	CAG	Porto	POR	St Gallen	GAL
Hamburg	HAM	Besancon	BES	Catania	CAT	Poland	POL	Sion	SIO
Rostock	ROS	Biarritz	BIA	Firenze	FIR	Gdansk	GDA	Vaduz	VAD
Stralsund	STR	Bordeaux	BOR	Foggia	FOG	Krakow	KRA	Zuerich	ZUE
Koeln	KOE	Brest	BRE	Genova	GEN	Poznan	POZ	Czech Republic	CZR
Kiel	KIE	Cherbourg	CHE	Lecce	LEC	Szczecin	SZC	Prague	PRA
Kassel	KAS	Lyon	LYO	Messina	MES	Warsaw	WAR		
Leipzig	LEI	Marseille	MAR	Milano	MIL	Russia	RUS		
Muenchen	MUE	Monaco	MON	Napoli	NAP	St.Petersburg	PET		
Magdeurg	MAG	Metz	MET	Palermo	PAL	Sweden	SWE		
Nuemberg	NUE	Nantes	NAN	Parma	PAR	Gothenburg	GOT		
Regensburg	REG	Nice	NIC	Perugia	PER	Stockholm	STO		
Stuttgart	STU	Orleans	ORL	Torino	TOR	Slovakia	SLK		
Saarbruecken	SAA	Paris	PAR	Trieste	TRI	Bratislave	BRA		
Schwerin	SCH	Perpignan	PER	Venezia	VEN	Slovenia	SLO		
Danmark	DAN	Lille	LIL	Verona	VER	Ljubljana	LJU		
Alborg	ALB	Rouen	ROU	Ventimiglia	VTG	Yugoslavia	YUG		
Arhus	ARH	Strasbourg	STR			Belgrade	BER		
Copenhagen	COP	Toulouse	TOU	Ireland	IRL	Austria	AUS		
Odense	ODE	Finland	FIN	Dublin	DUB	Graz	GRA		

Spain, Andorra	ESP	Helsinki	HEL	Luxembourg	LUX	Innsbruck	INN
Alicante	ALI	Great Britain	GB	Luxembourg	LUX	Linz	LIN
Andorra	AND	Aberdeen	ABD	Norway	NOR	Salzburg	SAL
Badajoz	BAD	Belfast	BEL	Bergen	BER	Vienna	VIE
Barcelona	BAR	Birmingham	BIR	Oslo	OSL	Belgium	BEL
Bilbao	BIL	Bristol	BRI	Stavanger	STA	Antwerpen	ANT
Cadix	CAD	Edinburgh	EDI	Netherlands	NET	Brugges	BRU
Cordoba	COR	Glasgow	GLA	Amsterdam	AMS	Bruxelles	BRL
Ibiza	IBI	London	LON	Eindhoven	EIN	Charleroi	CHA

Note:

- Use a pin to press the reset button(B12) if the Unit does not work properly.
- Avoid placing the clock near interference sources/metal frames such as computer or TV sets.
- The clock loses its time information when the battery is removed.
- Buttons will not function while scanning for DCF time signal or thermo sensor's signal unless they are well received or stopped manually.
- All Setting Mode will automatically exit in 15 seconds without any adjustment.

R&TTE Directive 1999/5/EC

Summary of the Declaration of Conformity: We hereby declare that this wireless transmission device does comply with the essential requirements of R&TTE Directive 1999/5/EC.



For use in: Germany, Austria,
France, The Netherlands and
Belgium