

Lenco

Model: LBT-120



User manual - Turntable with Bluetooth and USB direct encoding

Gebruikshandleiding - Platenspeler met Bluetooth en USB voor directe codering

Benutzerhandbuch – Plattenspieler mit Bluetooth und direkter USB-Aufnahme

Mode d'emploi - Tourne-disque avec Bluetooth et encodage direct en USB

Manual de usuario - Tocadiscos con Bluetooth y codificación directa USB

Manuale d'uso - Giradischi con Bluetooth e codifica diretta USB

Brugervejledning - Pladespiller med Bluetooth og direkte USB-kodning

Bruksanvisning – skivspelare med Bluetooth och USB-direktkodning

Index

English.....	3
Nederlands	11
Deutsch.....	19
Français.....	28
Español	36
Italiano	44
Dansk/Norsk.....	52
Svenska	60

CAUTION:

Usage of controls or adjustments or performance of procedures other than those specified herein may result in hazardous radiation exposure.

PRECAUTIONS BEFORE USE

KEEP THESE INSTRUCTIONS IN MIND:

1. Do not cover or block any ventilation openings. When placing the device on a shelf, leave 5 cm (2") free space around the whole device.
2. Install in accordance with the supplied user manual.
3. Keep the device away from heat sources such as radiators, heaters, stoves, candles and other heat-generating products or naked flame. The device can only be used in moderate climates. Extremely cold or warm environments should be avoided. Working temperature between 0° and 35°C.
4. Avoid using the device near strong magnetic fields.
5. Electrostatic discharge can disturb normal usage of this device. If so, simply reset and restart the device following the instruction manual. During file transmission, please handle with care and operate in a static-free environment.
6. Warning! Never insert an object into the product through the vents or openings. High voltage flows through the product and inserting an object can cause electric shock and/or short circuit internal parts. For the same reason, do not spill water or liquid on the product.
7. Do not use in wet or moist areas such as bathrooms, steamy kitchens or near swimming pools.
8. The device shall not be exposed to dripping or splashing and make sure that no objects filled with liquids, such as vases, are placed on or near the apparatus.
9. Do not use this device when condensation may occur. When the unit is used in a warm wet room with damp, water droplets or condensation may occur inside the unit and the unit may not function properly; let the unit stand in power OFF for 1 or 2 hours before turning on the power: the unit should be dry before getting any power.
10. Although this device is manufactured with the utmost care and checked several times before leaving the factory, it is still possible that problems may occur, as with all electrical appliances. If you notice smoke, an excessive build-up of heat or any other unexpected phenomena, you should disconnect the plug from the main power socket immediately.
11. This device must operate on a power source as specified on the specification label. If you are not sure of the type of power supply used in your home, consult your dealer or local power company.
12. Keep away from animals. Some animals enjoy biting on power cords.
13. To clean the device, use a soft dry cloth. Do not use solvents or petrol based fluids. To remove severe stains, you may use a damp cloth with dilute detergent.
14. The supplier is not responsible for damage or lost data caused by malfunction, misuse, modification of the device or battery replacement.
15. Do not interrupt the connection when the device is formatting or transferring files. Otherwise, data may be corrupted or lost.
16. If the unit has USB playback function, the USB memory stick should be plugged into the unit directly. Don't use an USB extension cable because it can cause interference resulting in failing of data.
17. The rating label has been marked on the bottom or back panel of the device.
18. This device is not intended for use by people (including children) with physical, sensory or mental disabilities, or a lack of experience and knowledge, unless they're under supervision or have received instructions about the correct use of the device by the person who is responsible for their safety.
19. This product is intended for non professional use only and not for commercial or industrial use.
20. Make sure the unit is adjusted to a stable position. Damage caused by using this product in an unstable position vibrations or shocks or by failure to follow any other warning or precaution contained within this user manual will not be covered by warranty.
21. Never remove the casing of this device.
22. Never place this device on other electrical equipment.

23. Do not allow children access to plastic bags.
24. Only use attachments/accessories specified by the manufacturer.
25. Refer all servicing to qualified service personnel. Servicing is required when the device has been damaged in any way, such as the power supply cord or the plug, when liquid has been spilled or objects have fallen into the device, when the device has been exposed to rain or moisture, does not operate normally, or has been dropped.
26. Long exposure to loud sounds from personal music players may lead to temporary or permanent hearing loss.
27. If the product is delivered with power cable or AC power adaptor:
 - If any trouble occur, disconnect the AC power cord and refer servicing to qualified personnel.
 - Don't step on or pinch the power adaptor. Be very careful, particularly near the plugs and the cable's exit point. Do not place heavy items on the power adaptor, which may damage it. Keep the entire device out of children's reach! When playing with the power cable, they can seriously injure themselves.
 - Unplug this device during lightning storms or when unused for a long period.
 - The socket outlet must be installed near the equipment and must be easily accessible.
 - Do not overload ac outlets or extension cords. Overloading can cause fire or electric shock.
 - Devices with class 1 construction should be connected to a main socket outlet with a protective earthed connection.
 - Devices with class 2 construction do not require a earthed connection.
 - Always hold the plug when pulling it out of the main supply socket. Do not pull the power cord. This can cause a short circuit.
 - Do not use a damaged power cord or plug or a loose outlet. Doing so may result in fire or electric shock.
28. If the product contains or is delivered with a remote control containing coin/cell batteries:

Warning:

 - "Do not ingest battery, Chemical Burn Hazard" or equivalent working.
 - [The remote control supplied with] This product contains a coin/button cell battery. If the battery is swallowed, it can cause severe internal burns in just 2 hours and can lead to death.
 - Keep new and used batteries away from children.
 - If the battery compartment does not close securely, stop using the product and keep it away from children.
 - If you think batteries might have been swallowed or placed inside any part of the body, seek immediate medical attention.
29. Caution about the use of Batteries:
 - Danger of explosion if battery is incorrectly replaced. Replace only with the same or equivalent type.
 - Battery cannot be subjected to high or low extreme temperatures, low air pressure at high altitude during use, storage or transportation.
 - Replacement of a battery with an incorrect type that can result in an explosion or the leakage of flammable liquid or gas.
 - Disposal of a battery into fire or a hot oven, or mechanically crushing or cutting of a battery, that can result in an explosion.
 - Leaving a battery in an extremely high temperature surrounding environment that can result in an explosion or that leakage of flammable liquid or gas.
 - A battery subjected to extremely low air pressure that may result in an explosion or the leakage of flammable liquid or gas.
 - Attention should be drawn to the environmental aspects of battery disposal.

INSTALLATION

- Unpack all parts and remove protective material.
- Do not connect the unit to the mains before checking the mains voltage and before all other connections have been made.

* Those instruction are related only to products using power cable or AC power adaptor.

Information for power adaptor

Power supply adaptor

- Manufacturer: Shenzhen Andsmeps Electronic Technology Co., Ltd
- Model number: AS013W-1201000ZC
- Adaptor type: External AC adaptor
- Use only the power supply listed in the user instructions

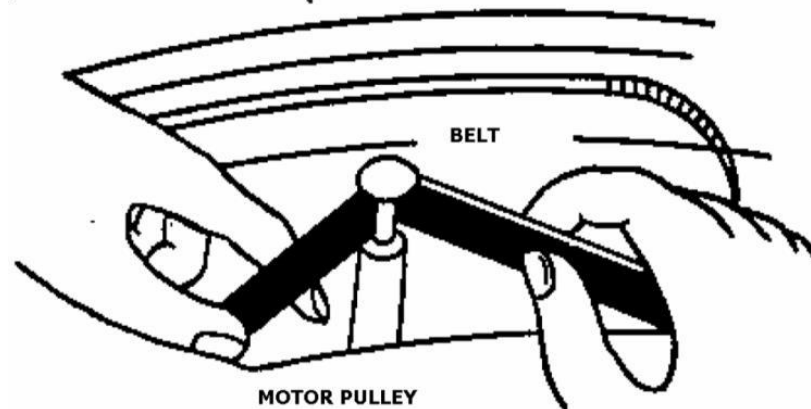
Information	Value and and precision
Manufacturers name or trade mark, commercial registration and address	- Andsmeps Electronic Technology Co., Ltd 201, No 18 Munfu Road, Sha Tou Industrial Park, Sha Tou Community, Sha Jing Street, Baoan District, Shenzhen City, Guangdong China
Model Identifier	- AS013W-1201000ZC
Input voltage	AC 100-240V
Input AC frequency	50/60H
Output voltage	12.0V
Output current	1.0A
Output Power	12W
Average active efficiency	82.96%
Efficiency at low load (10%)	79.95%
No load Power consumption	≤0.075W

Assembly

Drive belt:

The belt and turntable platter have been installed properly at factory, but the belt may be loose during transportation. If so, the following procedures will be taken for belt installation by yourself.

- A. Remove the rubber mat from the turntable platter and the E ring from the turntable shaft, then release the turntable platter from the shaft
- B. Put the drive belt on the inner rim of the turntable platter and pull it through the hole
- C. Hold the belt with your fingers and place the belt onto the motor pulley as shown in the drawing.



- D. Clip the E ring on the shaft and place the rubber mat onto the turntable platter.

Caution:

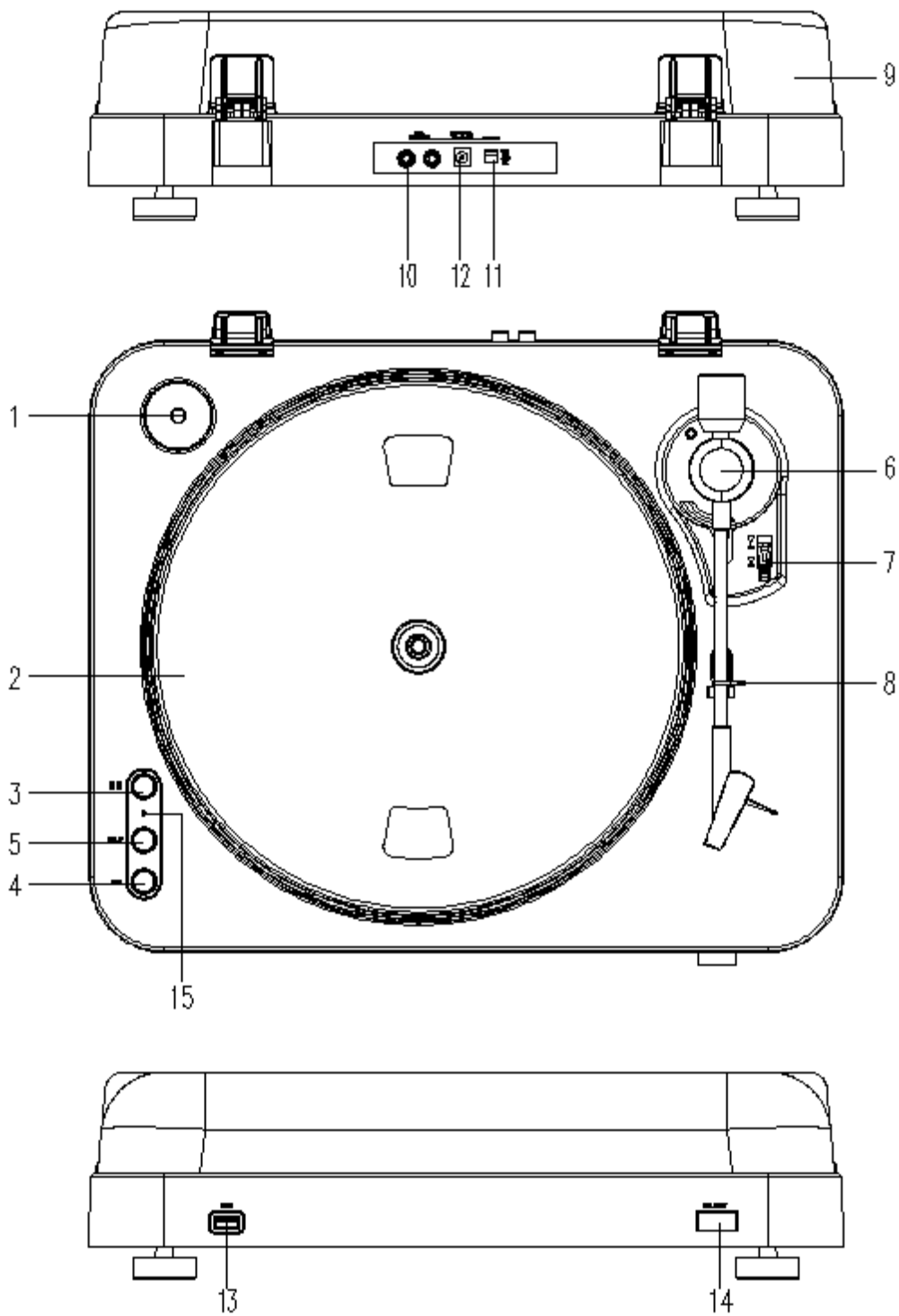
1. Make sure that the drive belt is not twisted or distorted.
2. Avoid oil. Oil splashes will make the belt slippery.

Auto Return Reset:

Always do the reset for Auto Return once you move this product. The mechanism of Auto Return will rotate irregularly when moving and it will cause the malfunction of Auto Return. The following steps will reset the mechanism to normal.

1. Place a record on the platter and play it.
2. Manually lever the tone arm and place it to the blank part of the end of the record.
3. The mechanism of Auto Return function will be adjusted properly and the tone arm will automatically return to the arm rest.

Description



1. Adaptor:

Use this adaptor when playing 45 RPM records.

2. Platter: Place a record here to play.

3. 33/45 RPM Switch:

Switch 33 or 45 rpm for playing a record at a correct speed.

4. REC:

Press it to enter into record mode.

Remark: you can not make any recording while the turntable is transmitting sound through Bluetooth.

5. SPLIT/PAIR (BLUETOOTH)

Split function: For stopping the current recording, forming a record file manually and then going on recording the next track.

Pair function: Press this button until the LED indicator starts flashing blue, then put your Bluetooth speaker or headphone into pairing mode. Then this turntable will connect with the Bluetooth speaker or headphone automatically and the LED indicator will be blue without flashing after the connection is made. The wireless music playback can start. You can start streaming the music wirelessly!

Press this button till the LED indicator becomes blue flashing and the Bluetooth connection is disconnected.

Remark: When you try to pair the turntable, better close the Bluetooth function of the Bluetooth products within 10 meter that you do not want to pair.

Remark: Bluetooth output and USB recording cannot be used together

6. Pick-up arm stand

7. Pick-up Arm Lift Stick:

To raise up and down the Pick-up Arm and cue at a proper place of a vinyl.

8. Pick-up Arm Lock:

Use this to lock the Pick-up Arm when not in use or for transportation.

9. Dust Cover:

Use this to protect the turntable from exposure to dust. The cover may be opened or removed during use, but should remain closed when the turntable is not in use.

10. RCA Line Out Cable

Connect the RCA line out to a mixer or an amplifier in your sound system.

11. Power Switch:

For turning the power on or off through this switch. Please switch off the unit after finishing the playing to save the energy..

12. Power Adaptor

Connect this adaptor to an AC outlet of the proper voltage.

13. USB Port Input:

Plug in a USB Pen Drive for recording the music from a record.

* The design is only for USB Flash Drive. To prevent the power supply is not sufficient and overheated of the circuit(IC), always get the external power supply if using a hard drive.

14. Reject

Press it to force the arm to return directly to the arm rest

15. LED

- USB Record Operation and LED Signal Indication
- USB storage device is not plugged. -> LED light is off
- USB storage device is plugged in -> LED flashes
- When the system is ready to record. -> LED light is on

- Press REC button to start recording. -> LED blinks slowly.
- Press SPLIT button to create new file in the recording.
- Press REC button again to stop recording. -> LED is flashing for a short time, then LED light is on again.

Note: Do not remove the USB storage device if the LED is flashing.

Mains connection

Ensure that the mains voltage of your home corresponds to the operating voltage of the unit. Your unit is ready to be connected to a correct voltage of your location.

Amplifier connection

Connect RCA line out cable (10) to the AUX input on your amplifier:

- Red plug into R channel input.
- White plug into L channel input.
- Place the record of your choice on the turntable. If it is a 45 rpm, do not forget to place the adaptor (1) on the record spindle.
- Choose the desired playing speed:

33 rpm -> button unlocked

45 rpm-> button locked.

- Release the pick-up arm clip.
 - Place the cartridge vertically over the first track of the record, the turntable starts turning.
 - When the record is over, the pick-up arm returns to its rest, the turntable stops turning
- Take care that the pick-up lift stick is in down position, close pick-up arm lock to secure pick-up arm.

Technical specification

Power Supply: AC100-240 60/50HZ

Power Consumption: 12W

Wow & Flutter: 0.3%

Distortion: 3%~4%

S/N: 50 dB

Audio Output Voltage: 500mV \pm 200mV

*** IMPORTANT RECOMMENDATIONS**

We advise you to clean your records using an impregnated rag with an antistatic product for maximum enjoyment of your records and also to make them last.

We would also point out that for the same reason your stylus should be replaced periodically (approximately every 250 hours).

Dust the stylus from time to time using a very soft brush dipped in alcohol (brushing from the back to the front of the cartridge).

1. Guarantee

Commaxx B.V. offers service and warranty in accordance to European law, which means that in case of repairs (both during and after the warranty period) you should contact your local dealer.

Important note: It is not possible to send products that need repairs to Commaxx B.V. directly.

Important note: If this unit is opened or accessed by a non-official service center in any way, the warranty expires.

This device is not suitable for professional use. In case of professional use, all warranty obligations of the manufacturer will be voided.

2. Disclaimer

Updates to Firmware and/or hardware components are made regularly. Therefore some of the instruction, specifications and pictures in this documentation may differ slightly from your particular situation. All items described in this guide for illustration purposes only and may not apply to particular situation. No legal right or entitlements may be obtained from the description made in this manual.

3. Disposal of the Old Device



This symbol indicates that the relevant electrical product or battery should not be disposed of as general household waste in Europe. To ensure the correct waste treatment of the product and battery, please dispose them in accordance to any applicable local laws of requirement for disposal of electrical equipment or batteries. In so doing, you will help to conserve natural resources and improve standards of environmental protection in treatment and disposal of electrical waste (Waste Electrical and Electronic Equipment Directive).

4. DECLARATION OF CONFORMITY

Hereby, Commaxx declares that the radio equipment type [Lenco LBT-120] is in compliance with directive 2014/53/EU. The full text of the EU declaration of conformity is available at the following internet address:

https://commaxx-certificates.com/doc/lbt-120_doc.pdf

Type RF	Frequency range (MHz)	Power (dBm)
Bluetooth	2402-2480	<6

5. SERVICE

For more information and help-desk support, please visit www.lenco.com

Commaxx B.V. Wiebachstraat 37, 6466 NG Kerkrade, The Netherlands.

LET OP:

Het gebruik van afstandsbedieningen of aanpassingen of de uitvoering van procedures die niet in dit document zijn gespecificeerd, kan leiden tot gevaarlijke blootstelling aan straling.

VOORZORGSMATREGELEN VOOR GEBRUIK

ONTHOUD DE VOLGENDE INSTRUCTIES:

1. Bedek of blokkeer de ventilatieopeningen niet. Wanneer u het apparaat op een schap plaatst, dient u 5 cm (2") vrije ruimte rondom het gehele apparaat te behouden.
2. Installeer het product volgens de meegeleverde gebruikershandleiding.
3. Houd het apparaat uit de buurt van hittebronnen, zoals radiatoren, verwarmingen, kachels, kaarsen en andere hittegenererende producten of open vuur. Het apparaat kan alleen worden gebruikt in een gematigd klimaat. Extreem koude of warme omgevingen dienen te worden vermeden. Het bedrijfstemperatuurbereik ligt tussen 0 °C en 35 °C.
4. Gebruik dit apparaat niet in de buurt van krachtige magnetische velden.
5. Elektrostatische ontlading kan normaal gebruik van dit apparaat verstoren. U hoeft het apparaat in dit geval slechts te resetten en opnieuw op te starten volgens de gebruikershandleiding. Wees voorzichtig tijdens bestandsoverdracht en gebruik het product in een omgeving zonder statische interferentie.
6. Waarschuwing! Steek nooit een voorwerp via de ventilatie- of andere openingen in het product. Er is hoogspanning in het product aanwezig en als u er een object insteekt, kan dat een elektrische schok veroorzaken en/of kortsluiting in de interne onderdelen. Mors om dezelfde reden geen water of vloeistof op het product.
7. Gebruik het toestel niet in vochtige ruimtes, zoals badkamers, stomende keukens of in de buurt van zwembaden.
8. Het apparaat mag niet worden blootgesteld aan druppels en spetters en zorg ervoor dat er geen met vloeistof gevulde voorwerpen, zoals vazen, op of in de buurt van het apparaat worden geplaatst.
9. Gebruik dit apparaat niet wanneer condensatie kan optreden. Wanneer het apparaat in een warme, natte ruimte wordt gebruikt, kunnen zich waterdruppels of condens vormen in het apparaat en kan het apparaat niet goed functioneren. Laat het apparaat 1 of 2 uur uit staan voordat u het inschakelt: het apparaat dient droog te zijn voordat deze stroom ontvangt.
10. Alhoewel dit apparaat met grote zorg gefabriceerd en verschillende keren geïnspecteerd is voordat het de fabriek verlaat, is het nog steeds mogelijk dat er problemen optreden, zoals met alle elektrische apparaten. Als u rook, een overmatige hitteontwikkeling of enig ander onverwacht verschijnsel opmerkt, moet u onmiddellijk de stekker van het netsnoer uit het stopcontact halen.
11. Dit apparaat moet worden gebruikt met een voedingsbron zoals gespecificeerd op het specificatielabel. Als u twijfelt over het type voeding dat gebruikt wordt in uw huis, raadpleeg dan uw dealer of plaatselijk energiebedrijf.
12. Buiten bereik van dieren houden. Sommige dieren kauwen graag op voedingskabels.
13. Gebruik een zacht, droog doekje om het apparaat te reinigen. Gebruik geen oplosmiddelen of op benzine gebaseerde vloeistoffen. U kunt een vochtig doekje met verdund schoonmaakmiddel gebruiken om hardnekkige vlekken te verwijderen.
14. De leverancier is niet verantwoordelijk voor schade of verloren gegevens veroorzaakt door storing, misbruik, modificatie van het apparaat of batterijvervanging.
15. Onderbreek nooit de verbinding wanneer het apparaat formatteert of bestanden overdraagt. De gegevens kunnen anders corrupt of verloren raken.
16. Indien het apparaat een USB-afspeelfunctie heeft, moet de USB-geheugenstick rechtstreeks op het apparaat worden aangesloten. Gebruik geen USB-verlengkabel, omdat die kan leiden tot storingen met foutieve gegevens als gevolg.
17. Het classificatielabel bevindt zich op de onderkant of het achterpaneel van het apparaat.
18. Dit hulpmiddel is niet bedoeld voor gebruik door mensen (inclusief kinderen) met een fysieke, zintuiglijke of mentale handicap, of een gebrek aan ervaring en kennis, tenzij zij toezicht of instructies hebben gekregen over het juiste gebruik van het hulpmiddel door een persoon die verantwoordelijk is voor hun veiligheid.

19. Dit product is alleen voor niet-professioneel gebruik bedoeld en niet voor commercieel of industrieel gebruik.
20. Verzeker u ervan dat het apparaat in een stabiele positie staat opgesteld. Schade die wordt veroorzaakt door het gebruik van dit product in een onstabiele positie, trillingen of schokken of het niet opvolgen van de waarschuwingen of voorzorgsmaatregelen in deze gebruikershandleiding wordt niet gedekt door de garantie.
21. Verwijder nooit de behuizing van dit apparaat.
22. Plaats dit apparaat nooit op andere elektrische apparatuur.
23. Geef kinderen geen gelegenheid in aanraking met plastic zakken te komen.
24. Gebruik uitsluitend uitbreidingen/accessoires gespecificeerd door de fabrikant.
25. Laat alle reparaties over aan gekwalificeerd onderhoudspersoneel. Onderhoud is nodig als het apparaat is beschadigd, bijvoorbeeld als de voedingskabel of de stekker is beschadigd, als er vloeistof op het apparaat is gemorst, als er voorwerpen in het apparaat zijn gevallen, als het apparaat is blootgesteld aan regen of vocht, als het apparaat niet normaal werkt of als het is gevallen.
26. Langdurige blootstelling aan harde geluiden van persoonlijke muzikspelers kan leiden tot tijdelijk of permanent gehoorverlies.
27. Als het product wordt geleverd met voedingskabel of wisselstroomvoedingsadapter:
 - Als er zich problemen voordoen, moet u de voedingskabel loskoppelen en het ter onderhoud aanbieden aan gekwalificeerd personeel.
 - Nooit op de voedingsadapter stappen of deze indrukken. Wees zeer voorzichtig, vooral in het gebied rond de stekkers en de kabelaansluitingen. Plaats geen zware voorwerpen op de voedingsadapter, om beschadiging ervan te voorkomen. Houd het gehele apparaat buiten bereik van kinderen! Wanneer kinderen met de voedingskabel spelen, kunnen zij ernstig letsel oplopen.
 - Haal de stekker uit het stopcontact tijdens onweer of wanneer u deze langere tijd niet gebruikt.
 - Het stopcontact moet in de buurt van de apparatuur zijn geïnstalleerd en eenvoudig te bereiken zijn.
 - Laat AC-stopcontacten of verlengsnoeren nooit overbelast raken. Overbelasting kan brand of een elektrische schok veroorzaken.
 - Apparaten met een Klasse 1 structuur dienen te worden aangesloten op een stopcontact met een beschermende aardverbinding.
 - Apparaten met een Klasse 2 structuur vereisen geen aardverbinding.
 - Houd altijd de stekker vast wanneer u deze uit het stopcontact trekt. Trek nooit aan de voedingskabel. Dit kan tot een kortsluiting leiden.
 - Gebruik nooit een beschadigde voedingskabel of stekker of een los stopcontact. Dit vormt namelijk een risico op brand of elektrische schokken.
28. Indien het product knoopcelbatterijen bevat of wordt geleverd met een afstandsbediening die knoopcelbatterijen bevat:

Waarschuwing:

 - “Batterij niet inslikken, chemisch brandgevaar” of gelijkwaardige werking.
 - De meegeleverde afstandsbediening bevat een knoopcelbatterij. Als de batterij wordt ingeslikt, kan deze in slechts 2 uur ernstige interne brandwonden veroorzaken en tot de dood leiden.
 - Houd nieuwe en gebruikte batterijen buiten bereik van kinderen.
 - Als de batterijhouder niet goed kan worden gesloten, dient u het product niet meer te gebruiken en buiten bereik van kinderen te houden.
 - Als u denkt dat batterijen zijn ingeslikt of binnenin een willekeurig lichaamsdeel terecht zijn gekomen, dient u onmiddellijk medische hulp te zoeken.
29. Waarschuwing m.b.t. het gebruik van batterijen:
 - Als de batterij onjuist wordt geplaatst, bestaat er explosiegevaar. Vervang de batterij alleen door een zelfde of vergelijkbare soort batterij.
 - Stel de batterij niet bloot aan extreem hoge of lage temperaturen of een lage luchtdruk op grote hoogte tijdens gebruik, opslag of transport.

- Vervanging van een batterij door een incorrect type kan leiden tot een ontploffing of de lekkage van ontvlambare vloeistoffen of gas.
- Het weggooien van een batterij in het vuur of een hete oven, of het mechanisch verpletteren of insnijden van een batterij, kan leiden tot een explosie.
- Het achterlaten van een batterij in een omgeving met extreem hoge temperaturen kan leiden tot een explosie of het lekken van brandbare vloeistof of gas.
- Een batterij die aan een extreem lage luchtdruk wordt blootgesteld, kan leiden tot een explosie of het lekken van brandbare vloeistof of gas.
- Aandacht voor het milieu is nodig bij het verwijderen van de batterijen.

INSTALLATIE

- Pak alle onderdelen uit en verwijder de beschermende materialen.
- Sluit het apparaat niet aan op het stopcontact, voordat u de netspanning hebt gecontroleerd en voordat alle andere aansluitingen zijn gemaakt.

* deze instructies zijn enkel van toepassing voor producten met een voedingskabel of een AC voedingsadapter.

Informatie over de voedingsadapter

Voedingsadapter

- **Manufacturer: Shenzhen Andsmeps Electronic Technology Co., Ltd**
- **Model number: AS013W-1201000ZC**
- Soort adapter: Externe AC-adapter
- Gebruik uitsluitend de lichtnetdapter die in de gebruiksaanwijzing wordt vermeld

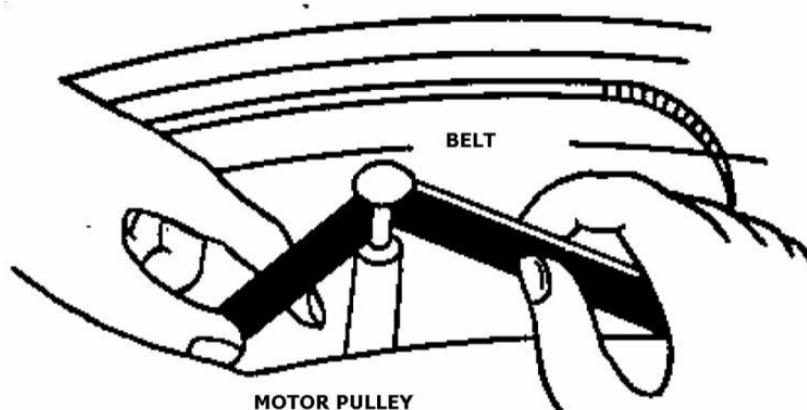
Informatie	Waarde en precisie
Naam of handelsmerk van de fabrikant, handelsregistratie en adres	- Andsmeps Electronic Technology Co., Ltd 201, No 18 Munfu Road, Sha Tou Industrial Park, Sha Tou Community, Sha Jing Street, Baoan District, Shenzhen City, Guangdong China
Modelaanduiding	- AS013W-1201000ZC
Ingangsspanning	AC 100-240V
Ingangsfrequentie AC	50/60H
Uitgangsspanning	12.0V
Uitgangsstroom	1.0A
Uitgang	12W
Gemiddelde actieve efficiëntie	82.96%
Efficiëntie bij lage belasting (10%)	79.95%
Verbruik onbelast vermogen	≤0.075W

Montage

Aandrijfriem:

De riem en het draaiplateau zijn in de fabriek juist geïnstalleerd, maar de riem kan tijdens het transport losraken. In dat geval moet u de volgende procedures volgen voor de installatie van de riem.

- Verwijder de rubberen mat van het draaiplateau en de E-ring van de as van het draaiplateau en haal vervolgens het draaiplateau los van de as
- Plaats de aandrijfriem op de binnenrand van het draaiplateau en trek deze door het gat
- Houd de riem met uw vingers vast en plaats de riem op de motorpoelie zoals getoond in de tekening.



EN	NL
BELT	RIEM
MOTOR PULLEY	MOTORPOELIE

- Klem de E-ring op de as en plaats de rubberen mat op het draaiplateau.

Let op:

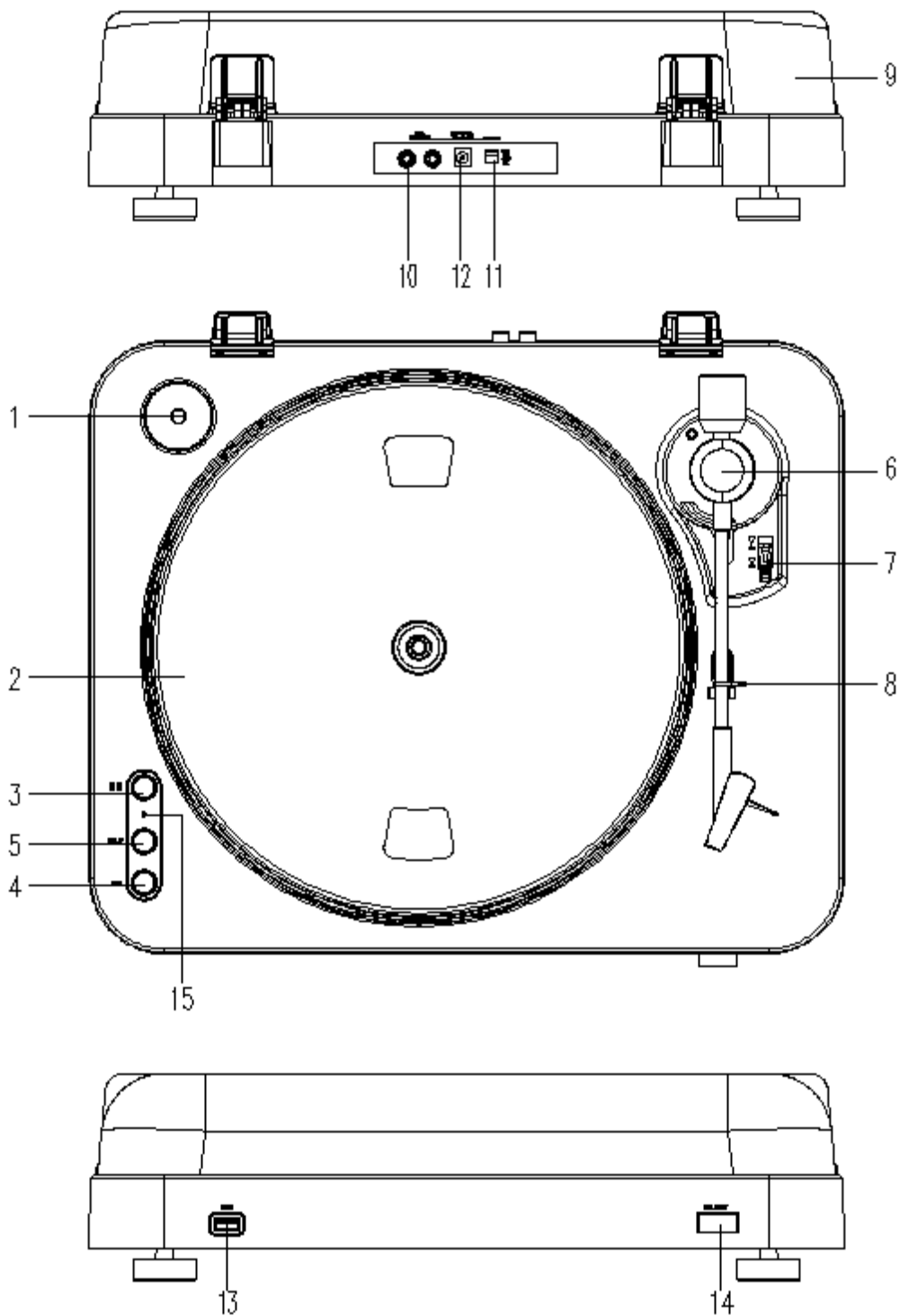
- Zorg ervoor dat de aandrijfriem niet gedraaid of vervormd is.
- Vermijd olie. Oliespatten maken de riem glibberig.

Auto Return resetten:

Voer altijd de reset uit voor Auto Return zodra u dit product verplaatst. Het mechanisme van Auto Return roteert onregelmatig tijdens het verplaatsen en het veroorzaakt een storing van Auto Return. Met de volgende stappen wordt het mechanisme naar normaal teruggezet.

- Plaats een plaat op het draaiplateau en speel deze af.
- Til de toonarm handmatig op en plaats deze op het lege gedeelte aan het einde van de langspeelplaat.
- Het mechanisme van de functie Auto Return zal juist worden aangepast en de toonarm keert automatisch terug naar de armsteun.

Omschrijving



1. Adapter:

Gebruik deze adapter voor het afspelen van 45-toerenplaten.

2. Plateau: Plaats hier een plaat om af te spelen.

3. 33/45 TPM-schakelaar:

Schakel naar 33 of 45-toeren voor het afspelen van een plaat met de juiste snelheid.

4. OPNAME/MP3 codering:

Druk erop om naar de opnamemodus te gaan.

Opmerking: u kunt geen opnamen maken terwijl de platenspeler geluid via bluetooth uitzendt.

5. SPLITSSEN/KOPPELEN (BLUETOOTH)

Splits-functie: Voor het stoppen van de huidige opname, het handmatig vormen van een opnamebestand en vervolgens doorgaan met het opnemen van de volgende track.

Koppel-functie: Druk op deze knop tot dat de LED-indicator blauw begint te knippen en zet vervolgens uw Bluetooth-luidspreker of -hoofdtelefoon in de koppelmodus. Vervolgens maakt deze platenspeler automatisch verbinding met de Bluetooth-luidspreker of -hoofdtelefoon en de LED-indicator brandt blauw zonder te knippen na dat de verbinding is gemaakt. Het draadloos afspelen van muziek kan starten. U kunt starten met het draadloos streamen van de muziek!

Druk op deze knop tot dat de LED-indicator blauw gaat knippen en de Bluetooth-verbinding is verbroken.

Opmerking: Als u probeert de platenspeler te koppelen, dan kunt u beter de Bluetooth-functie van Bluetooth-producten binnen 10 meter sluiten die u niet wilt koppelen.

Opmerking: Bluetooth-uitvoer en USB-opname kunnen niet tegelijk worden gebruikt

6. Houder voor arm

7. Hefboom van de arm:

Om de hefboom van de arm op en neer te bewegen en op een juiste plaats op een vinylplaat te richten.

8. Slot voor arm:

Gebruik dit om de arm te vergrendelen wanneer deze niet in gebruik is of voor transport.

9. Stofkap:

Gebruik dit om de platenspeler te beschermen tegen blootstelling aan stof. De kap kan tijdens gebruik worden geopend of verwijderd, maar moet gesloten blijven wanneer de platenspeler niet in gebruik is.

10. RCA-uitgang voor kabel

Verbind de RCA-uitgang met een mixer of een versterker in uw geluidsinstallatie.

11. Aan/uit-schakelaar:

Voor het aan- en uitzetten via deze schakelaar. Zet het apparaat uit nadat u klaar bent met het afspelen om energie te besparen.

12. Voedingsadapter

Sluit deze adapter aan op een stopcontact met de juiste spanning.

13. Ingang USB-poort:

Sluit een USB-stick aan om de muziek van een plaat op te nemen.

* Het ontwerp is alleen voor een USB-stick. Om te voorkomen dat de voeding niet voldoende is en de schakeling (IC) oververhit raakt, moet u altijd de externe voeding gebruiken als u een harde schijf gebruikt.

14. Reject

Druk erop om de arm te forceren direct terug te keren naar de armsteun

15. LED

- USB-opname en LED-siginaalindicatie
- USB-opslagapparaat is niet aangesloten. -> LED-lampje is uit
- USB-opslagapparaat is aangesloten -> LED knippert
- Als het systeem gereed is om op te nemen. -> LED-lampje is aan

- Druk op de knop REC om de opname te starten. -> LED knippert langzaam.
- Druk op de knop SPLIT om een nieuw bestand te maken in de opname.
- Druk nogmaals op de knop REC om het opnemen te stoppen. -> LED knippert korte tijd en vervolgens brandt het LED-lampje weer.

Opmerking: Verwijder het USB-opslagapparaat niet als de LED knippert.

Netaansluiting

Zorg ervoor dat de netspanning bij u thuis overeenkomt met de bedrijfsspanning van het apparaat. Uw apparaat is gereed om te worden aangesloten op de juiste spanning van uw locatie.

Versterkeraansluiting

Sluit de kabel aan op de RCA-uitgang (10) en op de AUX-ingang van uw versterker:

- Rode stekker in de ingang van het R-kanaal.
- Witte stekker in de ingang van het L-kanaal.
- Leg een plaat op het plateau. Als het een 45-toerenplaat is, vergeet dan niet om de adapter (1) op de as van het plateau te plaatsen.

- Kies de gewenste afspeelsnelheid:

33-toeren -> knop ontgrendeld

45-toeren -> knop vergrendeld

- Laat de toonarmvergrendeling los.
- Plaats de naaldkop verticaal over de eerste track van de plaat; de platenspeler begint te draaien.
- Nadat de plaat gereed is met afspelen, keert de arm terug naar de armsteun en het plateau stopt met draaien

Zorg ervoor dat de hefboom van de arm in de laagste positie staat, sluit het slot om de arm vast te zetten.

Technische specificaties

Stroomvoorziening: AC100-240 60/50 Hz

Opgenomen vermogen: 12 W

Wow & Flutter: 0.3%

Vervorming: 3%~4%

Signaal/ruis: 50 dB

Spanning audio-uitgang: 500 mV \pm 200 mV

*** BELANGRIJKE AANBEVELINGEN**

Om maximaal van uw platen te genieten en deze lange tijd te kunnen gebruiken, adviseren wij u uw platen te reinigen met een geïmpregneerde doek met een antistatisch product.

Wij wijzen u er om dezelfde redenen op dat ook uw naald regelmatig dient te worden vervangen (ca. elke 250 uur).

Stof de naald van tijd tot tijd af met een zeer fijn borsteltje en een klein beetje alcohol (borstel van achter naar voren over het patroon).

1. Garantie

Commaxx B.V. biedt service en garantie aan overeenkomstig met de Europese wetgeving. Dit houdt in dat u, in het geval van reparaties (zowel tijdens als na de garantieperiode), uw lokale handelaar moet contacteren.

Belangrijke opmerking: Het is niet mogelijk om producten die gerepareerd moeten worden direct naar Commaxx B.V. te sturen.

Belangrijke opmerking: De garantie verloopt als een onofficieel servicecenter het apparaat op wat voor manier dan ook heeft geopend, of er toegang toe heeft gekregen.

Het apparaat is niet geschikt voor professioneel gebruik. In het geval van professioneel gebruik worden alle garantieverplichtingen van de fabrikant nietig verklaard.

2. Disclaimer

Er worden regelmatig updates in de firmware en/of hardwarecomponenten gemaakt. Daardoor kunnen gedeelten van de instructie, de specificaties en afbeeldingen in deze documentatie enigszins verschillen van uw eigen situatie. Alle onderwerpen die staan beschreven in deze handleiding zijn bedoeld als illustratie en zijn niet van toepassing op specifieke situaties. Aan de beschrijving in dit document kunnen geen rechten worden ontleend.

3. Afvoer van het oude apparaat



Dit symbool geeft aan dat het betreffende elektrische product of de batterij niet moet worden verwijderd als algemeen huishoudelijk afval in Europa. Zorg voor een juiste afvalverwerking door het product en de batterij in overeenstemming met alle van toepassing zijnde lokale wetten voor het verwijderen van elektrische apparatuur of batterijen te verwijderen. Als u dit doet, helpt u de natuurlijke hulpbronnen te behouden en de standaard van milieubescherming te verbeteren bij de behandeling en verwijdering van elektrisch afval (Afgedankte Elektrische en Elektronische Apparatuur).

4. CONFORMITEITSVERKLARING

Hierbij verklaart Commaxx dat de radio-uitrusting type [Lenco LBT-120] in overeenstemming is met richtlijn 2014/53/EU. De volledige tekst van de EU-conformiteitsverklaring is beschikbaar op het volgende internetadres:

https://commaxx-certificates.com/doc/lbt-120_doc.pdf

Type RF	Frequentiebereik: (MHz)	Vermogen (dBm)
Bluetooth	2402-2480	<6

5. SERVICE

Bezoek voor meer informatie en helpdeskondersteuning www.lenco.com

Commaxx B.V. Wiebachstraat 37, 6466 NG Kerkrade, The Netherlands.

ACHTUNG:

Eine andere als die hier beschriebene Bedienung, Einstellung oder Verwendung der Funktionen kann zu gefährlicher Strahlenbelastung führen.

VORSICHTSMASSNAHMEN VOR DER BENUTZUNG

BEFOLGEN SIE IMMER FOLGENDE ANWEISUNGEN:

1. Blockieren oder bedecken Sie keine Lüftungsöffnungen. Wenn Sie das Gerät auf ein Regal stellen, lassen Sie um das gesamte Gerät 5 cm (2") freien Platz.
2. Stellen Sie das Gerät entsprechend den Anweisungen der mitgelieferten Bedienungsanleitung auf.
3. Halten Sie das Gerät von Hitzequellen wie Radiatoren, Heizern, Öfen, Kerzen oder anderen hitzeerzeugenden Produkten oder offenen Flammen fern. Das Gerät darf nur bei gemäßigem Klima verwendet werden. Sehr kalte oder heiße Umgebungen sind zu vermeiden. Der Betriebstemperaturbereich liegt zwischen 0 °C und 35 °C.
4. Meiden Sie bei der Nutzung des Produkts die Nähe starker Magnetfelder.
5. Elektrostatische Entladungen können die normale Verwendung von diesem Gerät stören. Sollte dies geschehen, führen Sie einfach einen Reset aus und starten Sie dann das Gerät entsprechend den Anweisungen dieser Bedienungsanleitung neu. Gehen Sie besonders bei Datenübertragungen mit dem Gerät vorsichtig um und führen Sie diese nur in einer antielektrostatischen Umgebung aus.
6. Warnung! Niemals Gegenstände durch die Lüftungsschlitze oder Öffnungen in das Gerät stecken. In diesem Gerät fließt Hochspannung und das Hineinstecken von Gegenständen kann zu elektrischem Schock und/oder Kurzschluss interner elektrischer Bauteile führen. Aus dem gleichen Grund kein Wasser oder Flüssigkeiten in das Gerät geben.
7. Benutzen Sie das Gerät nicht in nasser oder feuchter Umgebung wie Bad, Dampfküche oder in der Nähe von Schwimmbädern.
8. Das Gerät darf weder Tropf- noch Spritzwasser ausgesetzt werden und es dürfen keine mit Flüssigkeit gefüllten Behälter wie z.B. Vasen auf das Gerät oder in der Nähe des Gerätes gestellt werden.
9. Benutzen Sie das Gerät nicht bei Kondensationsgefahr. Wenn Sie das Gerät in einem warmen feuchten Raum benutzen, dann können sich im Inneren des Geräts Wassertropfen oder Kondensationen bilden und zu Fehlfunktionen des Geräts führen. Schalten Sie in diesem Fall das Gerät für 1 – 2 Stunden aus, bevor Sie es erneut einschalten: Das Gerät sollte vollständig getrocknet sein, wenn Sie es wieder einschalten.
10. Obwohl dieses Gerät unter größter Sorgfalt und vor Auslieferung mehrmals überprüft wurde, können trotzdem wie bei jedem anderen elektrischen Gerät auch Probleme auftauchen. Trennen Sie das Gerät im Falle einer Rauchentwicklung, starker Hitzeentwicklung oder jeder anderen unnatürlichen Erscheinung sofort vom Netz.
11. Dieses Gerät ist durch eine Stromquelle wie auf dem Typenschild angegeben zu betreiben. Halten Sie bei Unsicherheiten über die Art Ihrer Stromversorgung in Ihrer Wohnung Rücksprache mit Ihrem Händler oder Ihrer Stromzuliefererfirma.
12. Halten Sie es von Haustieren fern. Einige Nagetiere lieben es, an Netzkabeln zu nagen.
13. Benutzen Sie für die Reinigung ein weiches und trockenes Tuch. Benutzen Sie niemals Lösungsmittel oder Flüssigkeiten auf Ölbasis. Benutzen Sie zum Entfernen hartnäckiger Flecken ein feuchtes Tuch mit mildem Reinigungsmittel.
14. Der Hersteller haftet nicht für Schäden oder Verluste durch Fehlfunktion, Zweckentfremdung oder Modifikation des Geräts oder durch Wechseln der Batterien.
15. Unterbrechen Sie die Verbindung nicht während einer Formatierung oder einer Datenübertragung. Bei Unterbrechung drohen Datenverlust und Datenbeschädigung.
16. Wenn das Gerät eine USB-Wiedergabefunktion besitzt, dann stecken Sie den USB-Stick direkt in das Gerät. Verwenden Sie kein USB-Verlängerungskabel, weil die erhöhte Störungsanfälligkeit zu Datenverlust führen könnte.
17. Das Typenschild befindet sich an der Unter- oder Rückseite des Geräts.
18. Dieses Gerät ist nicht zur Benutzung durch Personen (einschließlich Kinder) mit physischen, sensorischen oder mentalen Beeinträchtigungen oder ohne ausreichender Erfahrung

- vorgesehen, es sei denn, sie werden durch eine verantwortliche Person beaufsichtigt oder wurden in die ordnungsgemäße Bedienung des Gerätes durch eine für ihre Sicherheit verantwortliche Person eingewiesen.
19. Dieses Produkt ist nur für den nicht-professionellen Gebrauch und nicht für gewerbliche oder industrielle Zwecke bestimmt.
 20. Stellen Sie sicher, dass das Gerät in einer stabilen Position aufgestellt ist. Schäden aufgrund Verwendung dieses Produkts in einer instabilen Position, Vibrationen, Stöße oder Nichtbeachtung der anderen in dieser Bedienungsanleitung enthaltenen Warnungen und Sicherheitshinweise werden nicht durch die Garantie abgedeckt.
 21. Entfernen Sie niemals das Gehäuse dieses Produkts.
 22. Stellen Sie das Produkt niemals auf andere elektrische Geräte.
 23. Halten Sie Kinder von den Plastiktüten fern.
 24. Benutzen Sie nur vom Hersteller spezifizierte Erweiterungen/Zubehörteile.
 25. Lassen Sie alle Eingriffe von qualifiziertem Servicepersonal ausführen. Eingriffe werden notwendig, wenn das Gerät auf irgendeine Weise wie beispielsweise am Netzkabel oder am Netzstecker beschädigt wurde, Flüssigkeit in das Gerät eingedrungen ist, Gegenstände in das Gerät gefallen sind, das Gerät Regen oder Feuchtigkeit ausgesetzt war, es heruntergefallen ist oder nicht ordnungsgemäß funktioniert.
 26. Langes Hören lauter Töne aus einem Musikgerät kann zum zeitweiligen oder permanenten Hörverlust führen.
 27. Wenn zum Lieferumfang des Produkts ein Netzkabel oder ein Netzadapter gehört:
 - Wenn irgendwelche Probleme auftreten, dann ziehen Sie den Netzstecker aus der Netzsteckdose und setzen Sie sich anschließend mit einer qualifizierten Fachkraft in Verbindung.
 - Treten Sie nicht auf das Netzteil und klemmen Sie es auch nicht ein. Geben Sie besonders im näheren Bereich des Steckers und der Stelle acht, wo das Kabel aus dem Gerät herausgeführt wird. Stellen Sie keine schweren Gegenstände auf das Netzteil, weil es dadurch beschädigt werden könnte. Halten Sie das gesamte Gerät außerhalb der Reichweite von Kindern! Durch Spielen mit dem Netzkabel können sie sich ernsthafte Verletzungen zuziehen.
 - Trennen Sie das Gerät während eines Gewitters oder bei längerer Nichtbenutzung vom Netz.
 - Die Wandsteckdose muss sich in der Nähe des Geräts befinden und einfach zu erreichen sein.
 - Steckdosen und Verlängerungsleitungen nicht überlasten. Eine Überlastung kann zu Brandgefahr bzw. Stromschlag führen.
 - Geräte der Schutzklasse 1 sind an eine Netzsteckdose mit Schutzleiter anzuschließen.
 - Geräte der Schutzklasse 2 benötigen keinen Schutzleiteranschluss.
 - Halten Sie den Netzstecker in der Hand, wenn Sie ihn aus der Netzsteckdose ziehen. Ziehen Sie ihn nicht durch Zerren am Kabel heraus. Das kann zu einem Kurzschluss führen.
 - Verwenden Sie weder ein beschädigtes Netzkabel noch einen beschädigten Stecker oder eine lockere Steckdose. Es besteht Brand- und Stromschlaggefahr.
 28. Wenn das Produkt mit einer Fernbedienung mit Batterien/Knopfzellen geliefert wird oder das Produkt eine derartige Fernbedienung umfasst:

Warnung:

 - „Die Batterie nicht einnehmen, er besteht Verätzungsgefahr“.
 - [Die mit diesem Produkt mitgelieferte Fernbedienung] enthält eine Knopfzelle. Das Verschlucken der Batterie kann innerhalb von nur 2 Stunden zu schwersten inneren Verbrennungen mit Todesfolge führen.
 - Halten Sie neue und gebrauchte Batterien von Kindern fern.
 - Verwenden Sie dieses Produkt nicht weiter und halten Sie es von Kindern fern, wenn das Batteriefach nicht sicher schließt.
 - Suchen Sie umgehend ärztliche Hilfe auf, wenn Sie vermuten, dass Batterien verschluckt oder in Körperöffnungen eingeführt wurden.
 29. Warnhinweise bzgl. der Verwendung von Batterien:
 - Es besteht Explosionsgefahr, wenn die Batterien nicht korrekt eingelegt werden. Nur mit Batterien des gleichen oder entsprechenden Typs ersetzen.

- Die Batterie darf während der Benutzung, Aufbewahrung oder des Transports weder sehr hohen oder sehr niedrigen Temperaturen noch niedrigem Luftdruck in großen Höhenlagen ausgesetzt werden.
- Die Ersetzung der Batterie mit einem falschen Batterietyp kann zum Explodieren der Batterie oder dem Auslaufen von entflammbarem Gas oder entflammbarer Flüssigkeit aus der Batterie führen.
- Die Entsorgung der Batterie in Feuer oder einem heißen Ofen oder das mechanische Zerkleinern oder Zerteilen der Batterie kann zu Explosionen führen.
- Das Verbleiben der Batterie in einer Umgebung mit sehr hohen Temperaturen kann zum Explodieren der Batterie oder dem Auslaufen von entflammbarem Gas oder entflammbarer Flüssigkeit führen.
- Eine in einem sehr niedrigen Luftdruck ausgesetzte Batterie kann explodieren oder es kann aus einer in einem sehr niedrigen Luftdruck ausgesetzten Batterie entflammbares Gas oder entflammbare Flüssigkeit auslaufen.
- Augenmerk ist auf den ökologischen Aspekt der Batterieentsorgung zu legen.

ANSCHLUSS

- Packen Sie alle Teile aus und entfernen Sie danach die Schutzmaterialien.
- Schließen Sie das Gerät nicht eher an das Netz an, bevor Sie die Netzspannung überprüft haben und alle anderen notwendigen Verbindungen hergestellt sind.

* Diese Anleitung gilt nur für Produkte, die über ein Netzkabel oder einen Netzadapter verfügen.

Daten des Netzadapters

Netzteiladapter

- **Manufacturer: Shenzhen Andsmips Electronic Technology Co., Ltd**
- **Model number: AS013W-1201000ZC**
- Adaptertyp: Externes Steckernetzteil
- Verwenden Sie nur die im Handbuch angegebene Stromversorgung

Informationen	Wert und Genauigkeit
Name des Herstellers oder der Handelsmarke, kommerzielle Zulassung und Anschrift	- Andsmips Electronic Technology Co., Ltd 201, No 18 Munfu Road, Sha Tou Industrial Park, Sha Tou Community, Sha Jing Street, Baoan District, Shenzhen City, Guangdong China
Modellidentifikator	- AS013W-1201000ZC
Eingangsspannung	AC 100-240V
Wechselstromfrequenz des AC-Eingangs	50/60H
Ausgangsspannung	12.0V
Ausgangsstrom	1.0A
Ausgangsleistung	12W
Durchschnittliche Effizienz bei Normallast	82.96%
Effizienz bei Niederlast (10 %)	79.95%

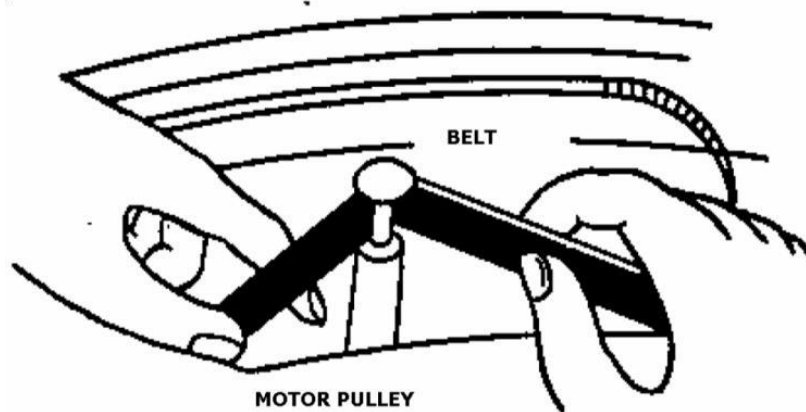
Leistungsaufnahme bei Nulllast	$\leq 0.075W$
--------------------------------	---------------

Zusammenbau

Antriebsriemen:

Der Riemen und der Plattenteller wurden werksseitig ordnungsgemäß installiert, aber der Riemen kann sich beim Transport lockern. Falls dies der Fall ist, führen Sie mit folgenden Verfahren die Installation des Riemens selbst durch.

- A. Entfernen Sie die Gummimatte vom Plattenteller und den E-Ring von der Plattentellerwelle. Ziehen Sie anschließend den Plattenteller von der Welle.
- B. Legen Sie den Antriebsriemen auf den Innenrand des Plattentellers und ziehen Sie ihn durch das Loch.
- C. Halten Sie den Riemen mit den Fingern und legen Sie den Riemen auf die Motorantriebswelle, wie in der Abbildung dargestellt.



EN	DE
BELT	RIEMEN
MOTOR PULLEY	MOTORANTRIEBSWELLE

- D. Stecken Sie den E-Ring auf die Welle und legen Sie die Gummimatte auf den Plattenteller.

Achtung:

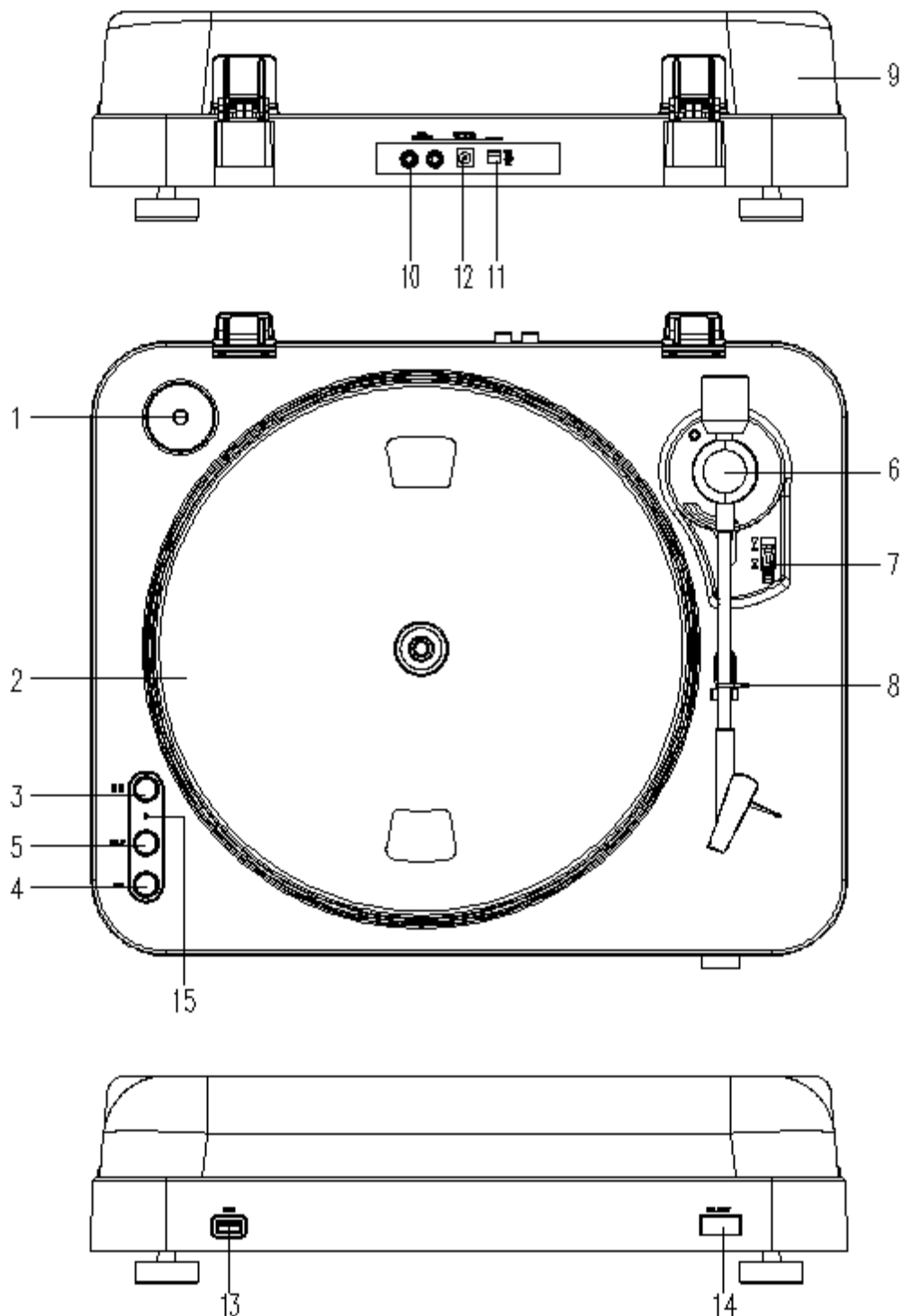
- 1. Achten Sie darauf, dass der Antriebsriemen nicht verdreht oder verzogen ist.
- 2. Vermeiden Sie Ölspritzer. Ölspritzer lassen den Gurt durchrutschen.

Automatische Tonarmrückkehr zurücksetzen:

Wenn Sie dieses Produkt umgesetzt haben, führen Sie stets das Zurücksetzen der automatischen Tonarmrückkehr durch. Der Mechanismus der automatischen Rückkehr dreht sich bei Umsetzen unregelmäßig und das führt zu einer Störung der automatischen Tonarmrückkehr. Mit den folgenden Schritten wird der Mechanismus auf die normale Funktion zurückgesetzt.

1. Legen Sie eine Schallplatte auf den Plattenteller und geben Sie sie wieder.
2. Heben Sie den Tonarm mit dem Tonarmlift manuell an und senken Sie im leeren Bereich am Ende der Schallplatte ab.
3. Der Mechanismus der automatischen Rückkehrfunktion wird ordnungsgemäß eingestellt und der Tonarm kehrt automatisch zur Tonarmstütze zurück.

Beschreibung



1. Adapter:

Verwenden Sie diesen Adapter zum Abspielen von Schallplatten mit einer Drehzahl von 45 U/min.

2. Plattenteller: Platzieren Sie hier eine Schallplatte zum Abspielen.

3. 33/45-U/min-Umschalter:

Stellen Sie für die Wiedergabe einer Schallplatte mit der richtigen Geschwindigkeit 33 oder 45 U/min ein.

4. REC:

Rufen Sie mit der Taste den Aufnahmemodus auf.

Hinweis: Sie können nichts aufnehmen, während der Plattenspieler Ton per Bluetooth überträgt.

5. SPLIT/KOPPELN (BLUETOOTH)

Split-Funktion: Hält die aktuelle Aufnahme an, erzeugen manuell eine Aufnahme datei und macht anschließend mit der Aufnahme des nächsten Titels weiter.

Kopplungsfunktion: Drücken Sie diese Taste, bis die LED-Anzeige blau blinkt und versetzen Sie anschließend Ihren Bluetooth-Lautsprecher oder -Kopfhörer in den Kopplungsmodus. Anschließend stellt der Plattenspieler automatisch eine Verbindung mit dem Bluetooth-Lautsprecher oder -Kopfhörer her. Die LED-Anzeige leuchtet dauerhaft blau, nachdem die Verbindung hergestellt wurde. Die drahtlose Musikwiedergabe kann beginnen. Sie können das drahtlose Streamen von Musik nun starten!

Drücken Sie diese Taste, bis die LED-Anzeige beginnt blau zu blinken. Die Bluetooth-Verbindung wurde getrennt.

Anmerkung: Wenn Sie versuchen, den Plattenspieler zu koppeln, beenden Sie besser die Bluetooth-Funktion anderer Bluetooth-Produkte innerhalb eines Bereichs von 10 Metern, die Sie nicht koppeln möchten.

Hinweis: Bluetooth-Ausgabe und USB-Aufnahme können nicht gleichzeitig genutzt werden.

6. Tonarmhalterung

7. Tonarmlift:

Hebt den Tonarm von der Platte und senkt ihn ab bzw. senkt ihn an einer anderen Stelle ab.

8. Tonarmarretierung:

Arretiert den Tonarm, wenn Sie das Gerät nicht verwenden oder transportieren.

9. Staubschutzabdeckung:

Schützt den Plattenspieler vor Staub. Die Abdeckung kann während des Betriebs geöffnet oder entfernt werden, sie sollte aber geschlossen bleiben, wenn der Plattenspieler nicht verwendet wird.

10. Cinch-Ausgangsbuchsen

Verbinden Sie die Ausgangsbuchsen über ein Cinchkabel mit einem Mischpult oder einem Verstärker in Ihrem Audiosystem.

11. Ein/Aus-Schalter:

Betätigen Sie diese Taste, um den Plattenspieler ein- bzw. auszuschalten. Schalten Sie das Gerät nach Abschluss der Wiedergabe aus, um Energie zu sparen.

12. Netzteil

Schließen Sie das Steckernetzteil an eine Steckdose mit der richtigen Netzspannung an.

13. USB-Port:

Schließen Sie für die Musikaufnahme von einer Schallplatte einen USB-Stick an.

* Der Port ist nur für USB-Flash-Laufwerke geeignet. Um eine unzureichende Stromversorgung und überhitzte Elektronik zu vermeiden, verwenden Sie bei Gebrauch einer Festplatte stets ein

externes Netzteil.

14. Abbrechen

Lässt den Tonarm direkt zur Tonarmstütze zurückkehren.

15. LED

- USB-Aufnahmevorgang und LED-Statusanzeige.
- USB-Speichergerät wurde nicht angeschlossen. -> die LED leuchtet nicht.
- USB-Speichergerät wurde angeschlossen -> die LED blinkt.
- Das System ist aufnahmebereit. -> die LED leuchtet.
- Starten Sie die Aufnahme mit der REC-Taste. -> die LED blinkt langsam.
- Drücken Sie die SPLIT-Taste, um ein neue Aufnahme datei zu erstellen.
- Drücken Sie zum Abbrechen der Aufnahme erneut die REC-Taste. -> die LED blinkt für kurze Zeit und leuchtet dann wieder.

Hinweis: Wenn die LED blinkt, entfernen Sie nicht das USB-Speichergerät.

Stromversorgung

Stellen Sie sicher, dass die Betriebsspannung des Geräts mit der Netzspannung in Ihrem Haushalt übereinstimmt. Das Gerät kann an seinem Standort jetzt an eine korrekte Spannung angeschlossen werden.

Anschluss einen Verstärker

Verbinden Sie die Ausgangsbuchsen (10) über ein Cinchkabel mit den AUX-Eingangsbuchsen Ihres Verstärkers:

- Den roten Stecker in den R-Kanaleingang.
- Den weißen Stecker in den L-Kanaleingang.
- Legen Sie die gewünschte Schallplatte auf den Plattenteller. Vergessen Sie bei einer Platte mit 45 U/min nicht den Adapter (1) auf dem Plattenstift.
- Stellen Sie die gewünschte Drehzahl ein:

33 U/min -> Taste nicht gedrückt.

45 U/min -> Taste gedrückt.

- Lösen Sie die Arretierung des Tonarmes.
- Platzieren Sie den Nadelträger senkrecht über der ersten Spur der Schallplatte. Der Plattenteller beginnt sich zu drehen.
- Wenn die Aufnahme beendet ist, kehrt der Tonarm wieder zu seiner Stütze zurück und der Plattenteller hört auf sich zu drehen.

Achten Sie darauf, dass sich der Tonarmlift sich in der abgesenkten Position befindet. Arretieren Sie den Tonarm mit der Klammer, um ihn zu sichern.

Technische Daten

Versorgungsspannung: 100-240 VAC, 60/50 Hz

Leistungsaufnahme: 12 W

Gleichaufschwankungen: 0,3

Verzerrung: 3%~4%

Rauschabstand: 50 dB

Audio-Ausgangsspannung: 500 mV \pm 200 mV

*** WICHTIGE EMPFEHLUNGEN**

Wir empfehlen Ihnen, dass Sie für ein dauerhaftes und maximales Musikerlebnis Ihre Schallplatten mit einem Tuch reinigen, das mit einem antistatischen Produkt imprägniert wurde. Wir möchten Sie aus selben Grund darauf hinweisen, dass Ihre Tonabnehmernadel regelmäßig (ungefähr alle 250 Stunden) gewechselt werden sollten.

Entfernen Sie von Zeit zu Zeit mit einem sehr weichen Pinsel, der in Alkohol getaucht wurde, den Staub von der Tonabnehmernadel (vom hinteren Teil des Tonabnehmers zum vorderen Teil des Tonabnehmers streichen).

1. Garantie

Commaxx B.V. bietet Leistungen und Garantien im Einklang mit Europäischem Recht. Im Falle von Reparaturen (sowohl während als auch nach Ablauf der Garantiezeit) sollten Sie deshalb Ihren Einzelhändler kontaktieren.

Wichtiger Hinweis: Es ist nicht möglich, Geräte für Reparaturen direkt an Commaxx B.V. zu schicken.

Wichtiger Hinweis: Falls dieses Gerät von einem nicht autorisierten Kundendienst geöffnet oder darauf zugegriffen wird, erlischt die Garantie.

Dieses Gerät ist nicht für professionelle Zwecke geeignet. Falls das Gerät für professionelle Zwecke eingesetzt wird, erlöschen alle Garantieverpflichtungen seitens des Herstellers.

2. Haftungsausschluss

Aktualisierungen der Firmware und/oder Hardware-Komponenten werden regelmäßig durchgeführt. Daher können einige der Anweisungen, Spezifikationen und Abbildungen in dieser Dokumentation von Ihrer individuellen Situation abweichen. Alle in diesem Handbuch beschriebenen Elemente dienen nur zur Illustration und treffen auf Ihre individuelle Situation möglicherweise nicht zu. Aus der in diesem Handbuch getätigten Beschreibung können keine Rechtsansprüche oder Ansprüche geltend gemacht werden.

3. Entsorgung des Altgeräts



Dieses Symbol zeigt an, dass das entsprechende Produkt oder dessen Batterie in Europa nicht mit dem normalen Hausmüll entsorgt werden darf. Um die ordnungsgemäße Abfallbehandlung des Produkts und dessen Batterie zu gewährleisten, müssen diese im Einklang mit allen anwendbaren örtlichen Vorschriften zur Entsorgung von Elektrogeräten und Batterien entsorgt werden. Dabei helfen Sie, natürliche Ressourcen zu schonen und Umweltschutzstandards zur Verwertung und Entsorgung von Altgeräten aufrecht zu halten (Waste Electrical and Electronic Equipment Directive).

4. KONFORMITÄTSERKLÄRUNG

Hiermit erklärt Commaxx, dass das Funkgerät vom Typ [Lenco LBT-120] der Richtlinie 2014/53/EU entspricht. Den vollständigen Text der EU-Konformitätserklärung finden Sie unter der folgenden Internetadresse:

https://commaxx-certificates.com/doc/lbt-120_doc.pdf

Typ HF	Frequenzbereich (MHz)	Leistung (dBm)
Bluetooth	2402-2480	<6

5.SERVICE

Weitere Informationen und Unterstützung durch den Helpdesk finden Sie unter www.lenco.com.

Commaxx B.V. Wiebachstraat 37, 6466 NG Kerkrade, The Netherlands.

ATTENTION :

L'utilisation de commandes ou d'ajustements ou l'exécution de procédures autres que celles spécifiées dans le présent document peuvent entraîner une exposition dangereuse aux radiations.

PRÉCAUTIONS AVANT UTILISATION**GARDEZ CES INSTRUCTIONS À L'ESPRIT :**

1. Ne couvrez pas et n'obtenez pas les ouvertures de ventilation. Lorsque vous placez l'appareil sur une étagère, laissez 5 cm (2") d'espace libre tout autour de l'appareil.
2. Installez-le conformément au mode d'emploi fourni.
3. Gardez l'appareil à l'écart des sources de chaleur telles que des radiateurs, appareils de chauffage, fours, bougies et autres produits générant de la chaleur ou une flamme nue. L'appareil ne peut être utilisé que dans des climats modérés. Les environnements extrêmement froids ou chauds doivent être évités. La plage de température de fonctionnement se situe entre 0° et 35° C.
4. Évitez d'utiliser l'appareil à proximité de champs magnétiques puissants.
5. Des décharges électrostatiques peuvent perturber le fonctionnement de cet appareil. Dans ce cas, il suffit de réinitialiser et de redémarrer l'appareil en suivant le mode d'emploi. Pendant le transfert de fichiers, manipulez l'appareil avec précaution et faites-le fonctionner dans un environnement sans électricité statique.
6. Mise en garde ! N'introduisez jamais un objet dans l'appareil par les ouvertures et les fentes de ventilation. Étant donné que des tensions élevées sont présentes à l'intérieur du produit, l'insertion d'un objet peut entraîner une électrocution et/ou court-circuiter les composants internes. Pour les mêmes raisons, ne versez pas de l'eau ou un liquide sur le produit.
7. Ne l'utilisez pas dans des endroits humides tels qu'une salle de bain, une cuisine pleine de vapeur ou à proximité d'une piscine.
8. L'appareil ne doit pas être exposé à des écoulements ou des éclaboussures et aucun objet contenant un liquide, tel qu'un vase, ne doit être posé sur ou près de l'appareil.
9. N'utilisez pas cet appareil lorsque de la condensation est possible. Lorsque l'appareil est utilisé dans une pièce humide et chaude, des gouttelettes d'eau ou de la condensation peuvent se former à l'intérieur de l'appareil et affecter son fonctionnement. Laissez l'appareil hors tension pendant 1 ou 2 heures avant de le mettre en marche : l'appareil doit être sec avant sa mise sous tension.
10. Bien que ce dispositif soit fabriqué avec le plus grand soin et contrôlé à plusieurs reprises avant de quitter l'usine, des problèmes peuvent néanmoins survenir, comme avec tous les appareils électriques. Si l'appareil émet de la fumée ou en cas d'accumulation excessive de la chaleur ou d'un phénomène inattendu, débranchez immédiatement la fiche d'alimentation du secteur.
11. Cet appareil doit fonctionner avec la source d'alimentation indiquée sur la plaque signalétique. Si vous n'êtes pas sûr du type d'alimentation utilisé chez vous, contactez votre revendeur ou le fournisseur local d'électricité.
12. Tenez l'appareil à l'abri des animaux. Certains animaux aiment ronger les cordons électriques.
13. Pour nettoyer l'appareil, servez-vous d'un chiffon doux et sec. N'utilisez pas de solvant ni d'autre liquide à base de pétrole. Pour enlever les taches importantes, vous pouvez vous servir d'un chiffon humide imbibé d'une solution de détergent diluée.
14. Le fournisseur n'est pas responsable des dommages ou pertes de données causés par un dysfonctionnement, une utilisation abusive, une modification de l'appareil ou un remplacement de la batterie.
15. N'interrompez pas la connexion lorsque l'appareil formate ou transfère des fichiers. Dans le cas contraire, les données pourraient être endommagées ou perdues.
16. Si l'appareil a une fonction de lecture USB, il faut brancher la clé USB directement sur l'appareil. N'utilisez pas un câble d'extension USB, car cela peut causer des interférences entraînant des pertes de données.
17. L'étiquette de classification se trouve sur le panneau inférieur ou arrière de l'appareil.
18. Cet appareil ne doit pas être utilisé par des personnes (y compris les enfants) souffrant de déficiences physiques, sensorielles ou mentales, ou d'un manque d'expérience et de

- connaissances, à moins qu'elles n'aient été supervisées ou qu'une personne responsable de leur sécurité ne leur ait donné des instructions sur l'utilisation correcte de l'appareil.
19. Ce produit est réservé à un usage non professionnel, et non pas à un usage commercial ni industriel.
 20. Vérifiez que l'appareil est en position stable. La garantie ne couvre pas les dégâts occasionnés par l'utilisation de cet appareil en position instable, par les vibrations, les chocs ou par la non-observation de tout autre avertissement ou précaution contenus dans ce mode d'emploi.
 21. N'ouvrez jamais cet appareil.
 22. Ne placez jamais cet appareil sur un autre appareil électrique.
 23. Ne laissez pas les sacs en plastique à la portée des enfants.
 24. Utilisez uniquement les accessoires recommandés par le fabricant.
 25. Confiez l'entretien et les réparations à un personnel qualifié. Une réparation est nécessaire lorsque l'appareil a été endommagé de quelque façon que ce soit, par exemple lorsque le cordon d'alimentation ou la prise sont endommagés, lorsqu'un liquide s'est déversé ou des objets sont tombés sur l'appareil, lorsque l'appareil a été exposé à la pluie ou à l'humidité, lorsqu'il ne fonctionne pas correctement ou est tombé.
 26. Une exposition prolongée à la musique avec un volume élevé peut entraîner une perte auditive temporaire ou permanente.
 27. Si l'appareil est livré avec un câble d'alimentation ou un adaptateur secteur :
 - En cas de problème, débranchez le cordon d'alimentation CA et confiez l'entretien à un personnel qualifié.
 - Ne marchez pas sur l'adaptateur secteur ou ne le coincez pas. Faites très attention, en particulier à proximité des fiches et du point de sortie du câble. Ne placez pas d'objets lourds sur l'adaptateur secteur, car ils pourraient l'endommager. Gardez l'appareil hors de portée des enfants ! Ils pourraient se blesser gravement s'ils jouent avec le câble d'alimentation.
 - Débranchez cet appareil pendant les orages ou lorsqu'il n'est pas utilisé pendant une longue durée.
 - La prise secteur doit être installée près de l'appareil et doit être facilement accessible.
 - Ne surchargez pas les prises de courant ou les rallonges. Une surcharge peut entraîner un incendie ou une électrocution.
 - Les appareils de classe 1 doivent être branchés à une prise de courant disposant d'une connexion protectrice à la terre.
 - Les appareils à la norme de construction de classe 2 ne nécessitent pas de connexion à la terre.
 - Tirez toujours sur la fiche pour débrancher le cordon de la prise secteur. Ne tirez pas sur le cordon d'alimentation. Cela pourrait provoquer un court-circuit.
 - N'utilisez pas un cordon ou une fiche d'alimentation endommagé ni une prise desserrée. Vous courez un risque d'incendie ou de décharge électrique.
 28. Si le produit contient ou est livré avec une télécommande contenant des piles boutons :

Avertissement :

 - « N'ingérez pas la pile, car vous risquez une brûlure chimique » ou une formule équivalente.
 - La télécommande fournie contient une pile bouton/pièce de monnaie. Si la pile est avalée, elle peut causer de graves brûlures internes en seulement 2 heures et peut entraîner la mort.
 - Tenez les piles neuves et usagées hors de portée des enfants.
 - Si le compartiment à piles ne se ferme pas correctement, cessez d'utiliser l'appareil et tenez-le hors de portée des enfants.
 - Si vous pensez que les piles ont été avalées ou placées à l'intérieur d'une partie du corps, consultez un médecin immédiatement.
 29. Mise en garde relative à l'utilisation des piles :
 - Risque d'explosion si la pile est mal remplacée. Remplacez les piles par des piles d'un type identique ou équivalent.
 - Pendant l'utilisation, le stockage ou le transport, la pile ne doit pas être soumise à des températures extrêmement élevées ou basses, à une faible pression d'air à haute altitude.

- Le remplacement d'une pile par une autre de type incorrect peut entraîner une explosion ou une fuite de liquide ou de gaz inflammable.
- L'introduction d'une pile dans le feu ou dans un four chaud, l'écrasement ou le découpage mécanique peut entraîner une explosion.
- L'exposition d'une pile dans un environnement à température extrêmement élevée peut entraîner une explosion ou une fuite de liquide ou de gaz inflammable.
- L'exposition d'une pile à une pression d'air extrêmement basse peut entraîner une explosion ou une fuite de liquide ou de gaz inflammable.
- Veuillez considérer les questions environnementales lors de la mise au rebut des piles.

INSTALLATION

- Déballez toutes les pièces et enlevez le matériau de protection.
- Ne connectez pas l'unité au secteur avant d'avoir vérifié la tension du secteur et avant que toutes les autres connexions n'aient été effectuées.

* ces instructions s'appliquent uniquement aux produits utilisant un câble d'alimentation ou un adaptateur secteur.

Informations concernant l'adaptateur d'alimentation

Adaptateur de puissance

- **Manufacturer: Shenzhen Andsmgs Electronic Technology Co., Ltd**
- **Model number: AS013W-1201000ZC**
- Type d'adaptateur : Adaptateur externe AC
- Utilisez uniquement l'alimentation électrique indiquée dans le mode d'emploi

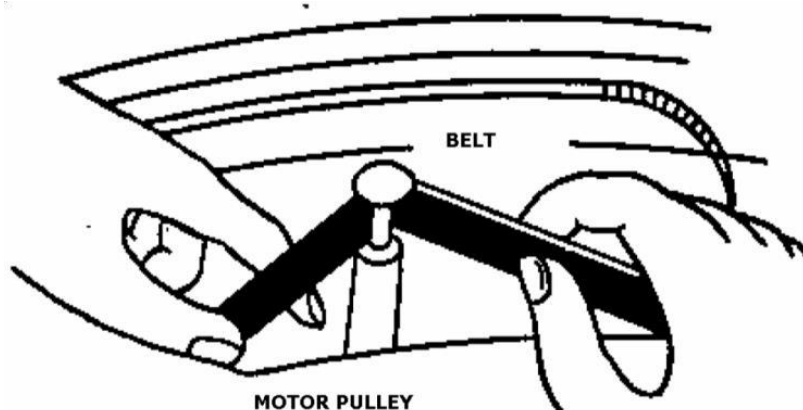
Informations	Valeur et précision
Nom ou marque du fabricant, enregistrement commercial et adresse	- Andsmgs Electronic Technology Co., Ltd 201, No 18 Munfu Road, Sha Tou Industrial Park, Sha Tou Community, Sha Jing Street, Baoan District, Shenzhen City, Guangdong China
Référence du modèle	- AS013W-1201000ZC
Tension d'entrée	AC 100-240V
Fréquence du CA d'entrée	50/60H
Tension de sortie	12.0V
Courant de sortie	1.0A
Puissance de sortie	12W
Rendement moyen en mode actif	82.96%
Rendement à faible charge (10 %)	79.95%
Consommation électrique sans charge	≤0.075W

Montage

Courroie d'entraînement :

La courroie et le plateau du tourne-disque ont été correctement installés en usine, mais la courroie peut s'être détendue pendant le transport. Si c'est le cas, suivre les procédures pour installer la courroie vous-même.

- A. Retirer le tapis en caoutchouc du plateau du tourne-disque et l'anneau E de l'arbre du tourne-disque, puis dégager le plateau de l'arbre.
- B. Mettre la courroie sur le bord interne du plateau et le tirer dans le trou.
- C. Tenir la courroie avec les doigts et la placer sur la poulie de moteur comme indiqué dans le plan.



EN	FR
BELT	COURROIE
MOTOR PULLEY	POULIE DE MOTEUR

- D. Clipper l'anneau E sur l'arbre et placer le tapis en caoutchouc sur le plateau du tourne-disque.

Attention :

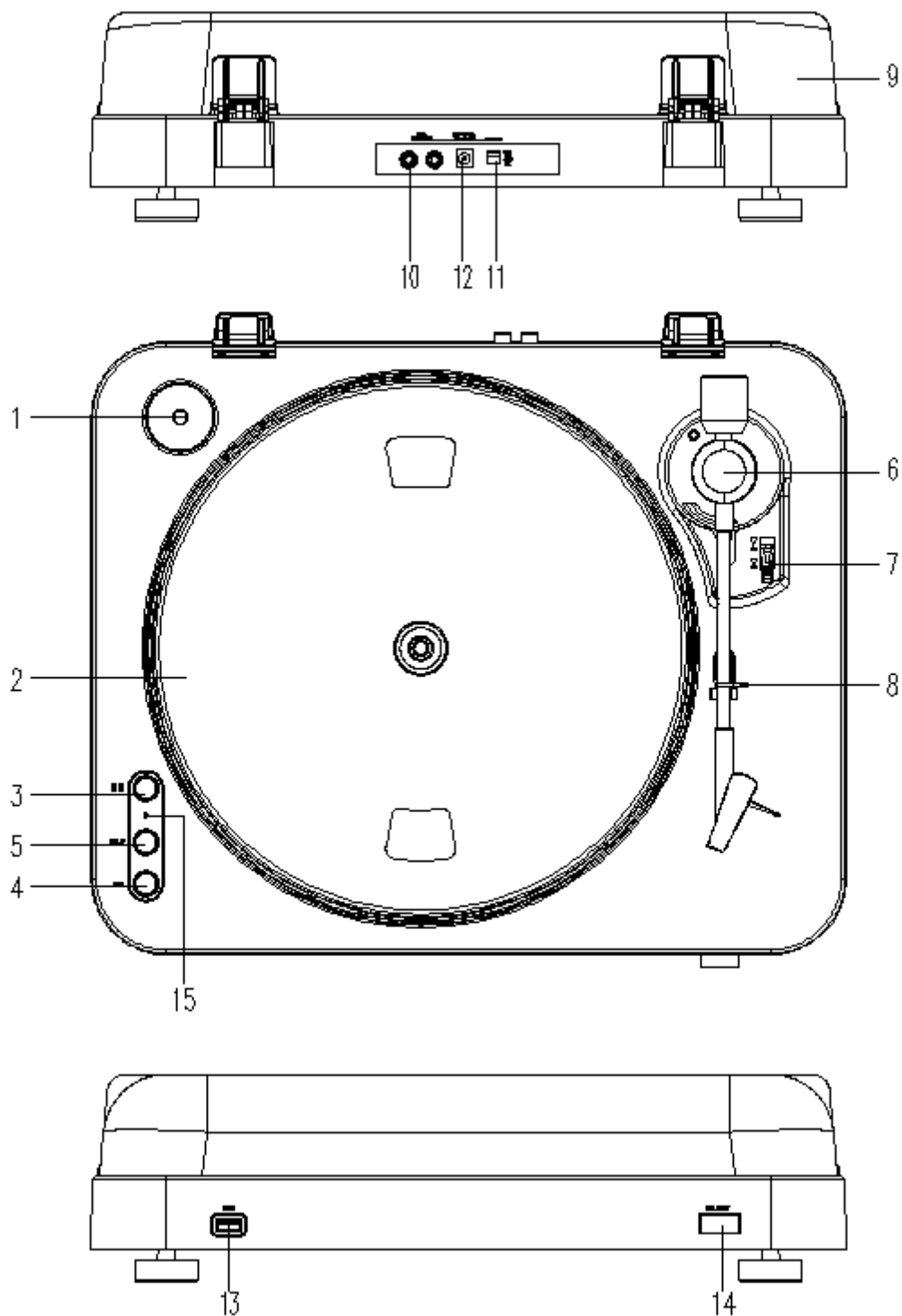
1. S'assurer que la courroie n'est pas tordue ou vrillée.
2. Eviter l'huile. Les éclaboussures d'huile feront glisser la courroie.

Réinitialisation du retour automatique :

Toujours réinitialiser le retour automatique dès que vous avez déplacé ce produit. Le mécanisme de retour automatique tourne irrégulièrement pendant le déplacement et il entraînera un mauvais fonctionnement du retour automatique. Les étapes suivantes réinitialisent le mécanisme à la normale.

1. Placer un disque sur le plateau et le lire.
2. Lever manuellement le bras et le placer sur la partie lisse à la fin du disque.
3. le mécanisme de retour automatique s'ajustera correctement et le bras retournera automatiquement sur le support de bras.

Description



1. Adaptateur :

Utiliser cet adaptateur pour lire des disques 45 tours.

2. Plateau : Placer un disque et lire.

3. Commutateur 33 / 45 tours :

commuter sur 33 ou 45 tours pour lire le disque à la vitesse correcte.

4. Enregistrement/Encodage MP3 :

Appuyer dessus pour entrer en mode d'enregistrement.

Remarque : vous ne pouvez pas effectuer de recodage pendant que le tourne-disque transmet le son par Bluetooth.

5. SPLIT/PAIR (BLUETOOTH)

Fonction Split : Pour arrêter le disque en cours, former manuellement un fichier d'enregistrement puis aller sur le morceau suivant.

Fonction d'appairage : Appuyer sur ce bouton jusqu'à ce que la LED clignote, puis mettre votre haut-parleur ou les écouteurs Bluetooth en mode d'appairage. Puis ce tourne-disque se connecte avec le haut-parleur ou les écouteurs Bluetooth automatiquement et la LED est allumée en bleu quand la connexion est effectuée. La lecture sans fil peut commencer. Vous pouvez commencer à lire la musique sans fil !

Appuyer sur ce bouton jusqu'à ce que la LED clignote en bleu indiquant que la connexion Bluetooth est déconnectée.

Remarque : Quand vous appairez le tourne-disque, il vaut mieux fermer la fonction Bluetooth du produit dans les 10 mètres de ce que vous ne voulez plus appairer.

Remarque : La sortie Bluetooth et l'enregistrement USB ne peuvent pas être utilisés simultanément

6. Support de bras

7. Branche de levier de bras :

Pour lever et baisser le bras et le placer à la bonne place sur un vinyl.

8. Verrou de bras :

Utiliser pour verrouiller le bras quand il n'est pas utilisé ou en cours de déplacement.

9. Couvercle à poussière :

L'utiliser pour protéger le tourne-disque de la poussière. Le couvercle peut être levé ou retiré pendant l'utilisation, mais doit rester fermé quand le tourne-disque n'est pas utilisé.

10. Câble de sortie RCA

Connecter le fil RCA hors du mixeur ou de l'amplificateur de votre sono.

11. Interrupteur marche/arrêt :

Cet interrupteur sert à allumer ou éteindre. Eteindre l'unité après avoir fini d'écouter pour économiser de l'énergie.

12. Adaptateur de puissance

Connecter cet adaptateur à une prise de courant AC de la bonne tension.

13. Port d'entrée USB :

Brancher un USB Pen drive pour enregistrer un disque.

* La conception est uniquement pour USB Flash Drive. Pour éviter que l'alimentation électrique ne soit insuffisante et que le circuit (IC) du circuit ne surchauffe, toujours brancher sur une alimentation externe en utilisant un disque dur.

14. Rejet

Appuyer dessus pour forcer le bras à revenir directement sur son support.

15. Voyant lumineux

- Enregistrement USB et signal de LED.
- L'appareil de stockage USB n'est pas branché. -> La LED est éteinte
- L'appareil de stockage USB est branché -> La LED clignote
- Quand le système est prêt à enregistrer. -> La LED est allumée
- Appuyer sur REC pour commencer l'enregistrement. -> La LED clignote lentement.
- Appuyer sur SPLIT pour créer un nouveau fichier d'enregistrement.
- Appuyer à nouveau sur REC pour arrêter l'enregistrement. -> La LED clignote pendant un court instant, puis elle reste allumée.

Remarque : Ne pas retirer l'appareil USB d'enregistrement si la LED clignote.

Branchement au secteur

S'assurer que la tension de la maison correspond à celle de l'unité. Votre unité est prête à être connectée à une tension correcte chez vous.

Branchement de l'amplificateur

Connecter le câble RCA (10) à la prise AUX de votre amplificateur :

- La fiche rouge dans le canal R.
- La fiche blanche dans le canal L.
- Placer le disque de votre choix sur le tourne-disque. Si c'est un 45 tours, ne pas oublier de placer l'adaptateur (1) sur l'axe.
- Choisir la vitesse de lecture désirée :
33 tours -> bouton déverrouillé
45 tours -> bouton verrouillé.
- Relâchez la pince du bras de lecture.
- Placez la cartouche à la verticale sur la première piste du disque, puis le tourne-disque commence à tourner.
- Quand le disque est fini, le bras de lecture retourne sur son support, le tourne-disque arrête de tourner.

S'assurer que le levier de bras est en bas, fermer le verrou de bras pour le sécuriser.

Caractéristiques techniques

Alimentation électrique : 100-240 VAC 60/50Hz

Puissance consommée : 12 W

Fluctuations de vitesse : 0,3%

Distorsion : 3%~4%

N° de série : 50 dB

Tension de sortie audio : 500 mV \pm 200 mV

*** RECOMMANDATIONS IMPORTANTES**

Nous vous recommandons de nettoyer les disques avec un tissu imprégné de produit antistatique pour que vous en profitiez au maximum et pour prolonger leur vie.

Remarque : pour les mêmes raisons votre tête de lecture doit être changée périodiquement (environ toutes les 250 heures).

Époussetez la tête de lecture de temps en temps grâce à une brosse très douce trempée dans de

l'alcool (en brossant de l'arrière vers l'avant de la cartouche).

1. Garantie

Commaxx B.V. propose un entretien et une garantie conformément à la législation européenne, ce qui signifie qu'en cas de besoin de réparation (aussi bien pendant et après la période de garantie), vous pouvez contacter votre revendeur le plus proche.

Remarque importante : Il n'est pas possible de renvoyer l'appareil pour réparation directement à Commaxx B.V.

Remarque importante : Si l'unité est ouverte ou modifiée de quelque manière que ce soit par un réparateur non agréé, la garantie serait caduque.

Cet appareil ne convient pas à une utilisation professionnelle. En cas d'utilisation professionnelle, les obligations de garantie du fabricant seront annulées.

2. Clause de non responsabilité

Des mises à jour du logiciel et/ou des composants informatiques sont régulièrement effectuées. Il se peut donc que certaines instructions, caractéristiques et images présentes dans ce document diffèrent légèrement de votre configuration spécifique. Tous les articles décrits dans ce guide le sont fournis uniquement à des fins d'illustration et peuvent ne pas s'appliquer à une configuration spécifique. Aucun droit légal ne peut être obtenu depuis les informations contenues dans ce manuel.

3. Mise au rebut de l'appareil usagé



Ce symbole indique que l'équipement électrique concerné ou la batterie ne doivent pas être jetés parmi les autres déchets ménagers en Europe. Afin de garantir un traitement approprié de la batterie ou de l'appareil usagés, veuillez les mettre au rebut conformément à la réglementation locale en vigueur relative aux équipements électriques et autres batteries. En agissant de la sorte, vous contribuerez à la préservation des ressources naturelles et à l'amélioration des niveaux de protection environnementale concernant le traitement et la destruction des déchets électriques (Directive sur les déchets des équipements électriques et électroniques).

4. DÉCLARATION DE CONFORMITÉ

Par la présente, Commaxx déclare que le type d'équipement radio auquel appartient [Lenco LBT-120] est conforme à la directive 2014/53/UE. Le texte intégral de la déclaration de conformité UE est disponible à l'adresse Internet suivante :

https://commaxx-certificates.com/doc/lbt-120_doc.pdf

Type RF	Plage de fréquences (MHz)	Puissance (dBm)
Bluetooth	2 402 à 2 480	< 6

5. SERVICE APRÈS-VENTE

Pour plus d'informations et en cas de besoin d'assistance, veuillez vous rendre sur www.lenco.com

Commaxx B.V. Wiebachstraat 37, 6466 NG Kerkrade, The Netherlands.

PRECAUCIÓN:

El uso de controles o ajustes o rendimiento de procedimientos excepto aquellos que los aquí especificados puede provocar una exposición peligrosa a la radiación.

PRECAUCIONES PREVIAS AL USO**TENGA ESTAS INSTRUCCIONES EN MENTE:**

1. No cubra o bloquee ninguna apertura de ventilación. Cuando coloque el dispositivo en una estantería, deje 5 cm (2") de espacio libre alrededor de todo el dispositivo.
2. Instálelo conforme al manual de usuario que se adjunta.
3. Mantenga el aparato alejado de fuentes de calor, como radiadores, calentadores, estufas, velas u otros productos que generen calor o llama viva. El aparato solo puede usarse en climas moderados. Se deben evitar los ambientes extremadamente fríos o cálidos. La gama de temperatura de funcionamiento es de entre 0° y 35°C.
4. Evite usar el dispositivo cerca de campos magnéticos fuertes.
5. Una descarga electrostática puede entorpecer el uso normal de este dispositivo. En tal caso, simplemente reinicielo siguiendo el manual de instrucciones. Durante la transmisión de archivos, por favor manéjelo con cuidado opérela en un entorno libre de electricidad estática.
6. ¡Advertencia! Nunca inserte un objeto en el producto a través de las ventilaciones o aperturas. Alto voltaje fluye a través del producto e insertar un objeto puede provocar una descarga eléctrica y/o un cortocircuito de sus componentes internos. Por el mismo motivo, no derrame agua o líquidos en el producto.
7. No lo utilice en zonas húmedas, como cuartos de baño, cocinas en las que se forme vapor ni cerca de piscinas.
8. El aparato no debe exponerse a goteos o salpicaduras y asegúrese de que se colocan sobre o cerca del aparato objetos llenos de líquidos, como jarrones.
9. No use este dispositivo cuando se pueda producir condensación. Cuando la unidad se usa en una sala húmeda cálida, se pueden formar gotitas de agua o condensación en el interior de la unidad y esta puede no funcionar adecuadamente; deje que la unidad se apague durante 1 o 2 horas antes de volver a encender la unidad: el aparato debe estar seco antes de conectarse a una fuente de alimentación.
10. Aunque este dispositivo está fabricado con el máximo cuidado y comprobado varias veces antes de salir de fábrica, todavía es posible que se puedan producir problemas, al igual que con todos los aparatos eléctricos. Si observa la aparición de humo, una acumulación excesiva de calor o cualquier otro fenómeno inesperado, deberá desconectar inmediatamente el enchufe de la toma de corriente.
11. Este dispositivo debe funcionar con una fuente de alimentación que se especifica en la etiqueta de especificaciones. Si no está seguro del tipo de alimentación que se usa en su hogar, consulte con el distribuidor o una compañía eléctrica local.
12. Manténgalo alejado de los animales. A algunos animales les encanta morder los cables de alimentación.
13. Para limpiar el dispositivo use un paño seco y suave. No utilice líquidos disolventes ni con base de petróleo. Para eliminar manchas difíciles, puede usar un paño húmedo con detergente diluido.
14. El proveedor no asume ninguna responsabilidad por daños o datos perdidos provocados por un funcionamiento incorrecto, uso incorrecto, modificación del dispositivo o sustitución de la batería.
15. No interrumpa la conexión cuando el dispositivo esté formateando o transfiriendo archivos. En caso contrario, los datos se pueden estropear o perder.
16. Si la unidad dispone de función de reproducción USB, se debe conectar la memoria USB directamente en la unidad. No utilice un cable de extensión USB ya que pueden crear interferencias que causen una pérdida de datos.
17. La etiqueta calificativa se encuentra en la parte inferior o en el panel posterior del aparato.
18. Este dispositivo no está diseñado para su uso por parte de personas (incluyendo niños) con discapacidad física, sensorial o mental o con falta de experiencia o conocimientos, salvo que se

- les haya dado supervisión o instrucciones acerca del uso correcto del dispositivo por parte de una persona responsable de su seguridad.
19. Este producto está diseñado para un uso no profesional únicamente y no para un uso comercial o industrial.
 20. Asegúrese de que la unidad esté fijada en una posición estable. La garantía no cubrirá los daños derivados de usar este producto en una posición inestable, vibraciones o golpes o por no seguir otras advertencias o precauciones que aparecen en este manual de usuario.
 21. Nunca retire la carcasa del dispositivo.
 22. Nunca coloque este dispositivo sobre otro equipo eléctrico.
 23. Mantenga las bolsas de plástico fuera del alcance de los niños.
 24. Use únicamente los dispositivos/accesorios especificados por el fabricante.
 25. Remita todas las reparaciones al personal cualificado. Es necesario el mantenimiento cuando el aparato presenta cualquier tipo de daño, por ejemplo, el cable de alimentación o el enchufe presentan daños; se ha vertido líquido sobre el aparato; se han caído objetos en el aparato; el aparato se ha expuesto a la lluvia o humedad; el aparato no funciona normalmente o se ha caído.
 26. Una larga exposición a sonidos elevados de reproductores de música personales puede provocar una pérdida de audición temporal o permanente.
 27. Si el producto viene con un cable de alimentación o un adaptador de corriente de CA:
 - Si se produce cualquier problema, desconecte el cable de alimentación CA y remítalo a mantenimiento por parte de personal cualificado.
 - No pise o pince el adaptador de alimentación. Tenga mucho cuidado, en especial en las zonas alrededor de las tomas y el punto de salida del cable. No coloque objetos pesados en el adaptador de alimentación, ya que pueden dañarlo. ¡Mantenga el dispositivo fuera del alcance de los niños! Si juegan con el cable de alimentación, puede sufrir lesiones graves.
 - Desconecte el dispositivo durante tormentas eléctricas o cuando no vaya a usarse durante periodos prolongados de tiempo.
 - La salida de la toma debe instalarse cerca del equipo y debe ser fácilmente accesible.
 - No sobrecargue las tomas CA o los cables de extensión. La sobrecarga puede provocar un incendio o una descarga eléctrica.
 - Los dispositivos con construcción de Clase 1 deben estar conectados a una toma de corriente con una conexión a tierra protegida.
 - Los dispositivos con construcción de Clase 2 no requieren una conexión a tierra.
 - Sujete siempre el enchufe cuando los extraiga de la toma de corriente. No tire del cable de alimentación. Esto puede provocar un cortocircuito.
 - No utilice un cable de alimentación o enchufe deteriorado o una toma suelta. Si lo hace, podría provocar un incendio o una descarga eléctrica.
 28. Si el producto contiene o se entrega con un mando a distancia que contiene pilas de botón / celdas:

Advertencia:

 - “Ni ingiera la pila, riesgo de quemadura química” o frase equivalente.
 - [El mando a distancia que se suministra] Este producto contiene una pila de tipo botón/moneda. Si la pila se traga, puede provocar graves quemaduras internas en sólo 2 horas y podría ocasionar la muerte.
 - Mantenga las pilas nuevas o usadas fuera del alcance de los niños.
 - Si el compartimento de las pilas no se cierra correctamente, deje de usar el producto y no lo deje al alcance los niños.
 - Si tiene la sospecha de que una pila ha sido ingerida o se encuentra en algún lugar del cuerpo, busque inmediatamente atención médica.
 29. Precaución sobre el uso de las pilas:
 - Existe riesgo de explosión si la pila no se sustituye correctamente. Sustitúyala únicamente con otra del mismo tipo u otro equivalente.
 - No se pueden exponer las pilas a temperaturas extremadamente altas o bajas, baja presión de aire a gran altitud durante el uso, almacenamiento o transporte.
 - Si cambia la pila por otra que no sea la correcta, se puede producir una explosión o la fuga de líquidos o gases inflamables.

- Si arroja la pila al fuego o a un horno caliente, o aplasta o cortar mecánicamente una pila, podría provocar una explosión.
- Si deja una pila en un lugar con temperaturas extremadamente altas, se puede producir una explosión o una fuga de líquido o gas inflamable.
- Si se expone la pila a una presión de aire extremadamente baja, se puede producir una explosión o la fuga de líquidos o gases inflamables.
- Se debe prestar atención a los aspectos medioambientales sobre la eliminación de baterías.

INSTALACIÓN

- Desembale todas las piezas y retire el material protector.
- No conecte la unidad a la corriente eléctrica antes de comprobar la tensión de la corriente y antes de que se hayan hecho todas las demás conexiones.

* Estas instrucciones solo están relacionadas con productos que usen un cable de alimentación o un adaptador de corriente CA.

Información del adaptador de alimentación

Adaptador de alimentación

- **Manufacturer:** Shenzhen Andsmeps Electronic Technology Co., Ltd
- **Model number:** AS013W-1201000ZC
- Tipo de adaptador: Adaptador CA externo
- Utilice únicamente la fuente de alimentación indicada en las instrucciones de uso

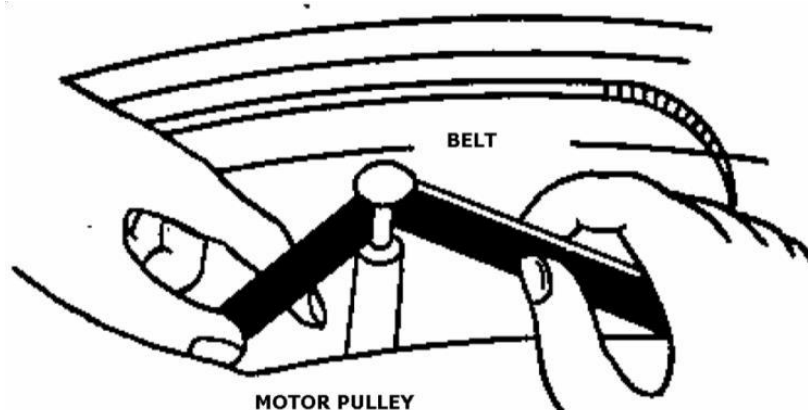
Información	Valor y precisión
Nombre de los fabricantes o marcas registradas, registro 38ctive38ial y dirección	- Andsmeps Electronic Technology Co., Ltd 201, No 18 Munfu Road, Sha Tou Industrial Park, Sha Tou Community, Sha Jing Street, Baoan District, Shenzhen City, Guangdong China
Identificador del modelo	- AS013W-1201000ZC
Tensión de entrada	AC 100-240V
Frecuencia CA de entrada	50/60H
Tensión de salida	12.0V
Corriente de salida	1.0A
Potencia de salida	12W
Eficiencia 38ctive media	82.96%
Eficiencia a carga baja (10%)	79.95%
Consumo energético sin carga	≤0.075W

Montaje

Correa:

La correa y el plato se han instalado debidamente en fábrica, pero la correa puede aflojarse durante el transporte. En tal caso, se deben seguir los siguientes procedimientos para que usted mismo instale la correa.

- Retire la cubierta de goma del plato del tocadiscos y el anillo en E del eje del tocadiscos, y posteriormente, suelte el plato del tocadiscos del eje
- Coloque la correa en el borde interno del plato del tocadiscos y tire de ella hacia el agujero.
- Sujete la correa con los dedos y coloque la correa en la polea del motor tal y como se muestra en el dibujo.



EN	ES
BELT	CORREA
MOTOR PULLEY	POLEA DEL MOTOR

- Sujete el anillo en E en el eje y coloque la cubierta del goma en el plato del tocadiscos.

Precaución:

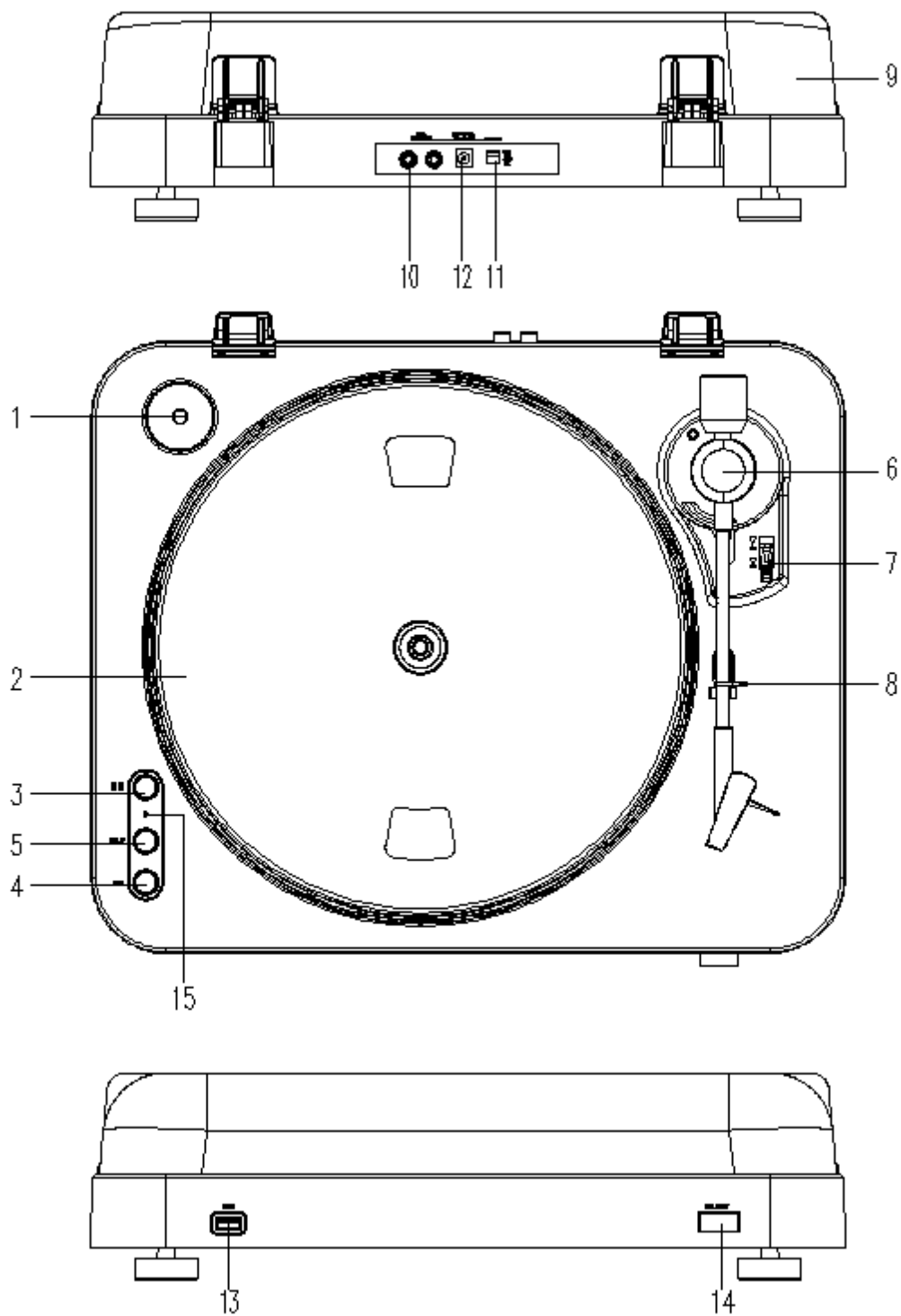
- Asegúrese de que la correa no está doblada o deformada.
- Evite el aceite. Las salpicaduras de aceite harán que la correa esté resbaladiza.

Reinicio con vuelta automática:

Haga siempre el reinicio de la vuelta automática una vez que traslade el producto. El mecanismo de vuelta automática girará de forma irregular cuando lo traslade y provocará un funcionamiento incorrecto de la vuelta automática. Se deben reiniciar los siguientes mecanismos para que funcione normalmente.

1. Coloque un disco en el plato y reproduzca.
2. Baje manualmente el brazo y colóquelo sobre la parte vacía del final del disco.
3. El mecanismo de la función de vuelta automática se ajustará debidamente y el brazo volverá automáticamente a su soporte.

Descripción



1. Adaptador:

Use este adaptador cuando reproduzca discos de 45 RPM.

2. Plato: Coloque aquí el disco para reproducirlo.

3. Interruptor de 33/45 rpm:

Cambia a 33 o 45 rpm para reproducir un disco a la velocidad correcta.

4. Grabación en MP3:

Púselo para entrar en el modo de grabación.

Observación: no puede realizar ninguna grabación mientras el tocadiscos transmite sonidos mediante Bluetooth.

5. DIVIDIR/EMPAREJAR (BLUETOOTH)

Función de división: Para detener la grabación actual, crear un archivo de disco manualmente y después continuar grabando la siguiente pista.

Función emparejar: Pulse este botón hasta que el indicador LED empiece a parpadear de color azul; posteriormente, coloque su altavoz Bluetooth o auricular en modo emparejamiento. Este tocadiscos se conectará con el altavoz o auricular Bluetooth de forma automática y el indicador LED estará de color azul sin parpadear una vez que se realice la conexión. Se podrá iniciar la reproducción de la música inalámbrica. Puede iniciar la reproducción de música sin cables.

Pulse este botón hasta que el indicador LED pase a color azul parpadeando y se desconecte la conexión Bluetooth.

Observaciones: Cuando intente emparejar el tocadiscos, cierre mejor la función Bluetooth de los productos Bluetooth situados a 10 metros y que no desee emparejar.

Observación: No pueden usarse juntas la salida Bluetooth y la grabación USB

6. Soporte del brazo del tocadiscos

7. Palanca de levantamiento del brazo del tocadiscos:

Para subir o bajar el brazo del tocadiscos y colocarlo en el lugar adecuados del vinilo.

8. Bloqueo del brazo del tocadiscos:

Use este para bloquear el brazo del tocadiscos cuando no esté en uso o para transportarlo.

9. Cubierta para el polvo:

Úsela para proteger el tocadiscos de la exposición al polvo. La cubierta puede abrirse i retirarse durante el uso, pero debe permanecer cerrada cuando el tocadiscos no está en uso.

10. Cable de salida de línea RCA

Conecte la salida de línea RCA a un mezclador o amplificador en su sistema de sonido.

11. Interruptor de encendido:

Para encenderlo a apagarlo mediante este interruptor. Apague la unidad tras finalizar la reproducción para ahorrar energía.

12. Adaptador de corriente

Conecte este adaptador a una toma CA de la tensión adecuada.

13. Entrada de puerto USB:

Conecte una unidad USB para grabar música desde un disco.

* El diseño es únicamente para unidades USB. Para evitar que la alimentación no sea suficiente y el sobrecalentamiento del circuito (IC), siempre tenga una alimentación externa si usa una unidad de disco duro.

14. Rechazo

Púselo para obligar al brazo a volver directamente a su soporte.

15. LED

- Funcionamiento de la grabación USB e indicación de señal LED
- El dispositivo de almacenamiento USB no está conectado. -> La luz LED está apagada
- El dispositivo de almacenamiento USB está conectado -> La luz LED parpadea
- Cuando el sistema está listo para grabar. -> La luz LED está encendida
- Pulse el botón REC para iniciar la grabación. -> La luz LED parpadea lentamente.
- Pulse el botón SPLIT para crear un nuevo archivo en la grabación.
- Vuelva a pulsar el botón REC para detener la grabación. -> La luz LED parpadea durante un periodo corto de tiempo y después se vuelve a encender la luz LED.

Nota: No retire el dispositivo de almacenamiento USB si la luz LED parpadea.

Conexión a la corriente eléctrica

Asegúrese de que la tensión de su hogar se corresponde con la tensión operativa de la unidad. La unidad está lista para conectarse a la tensión correcta de su ubicación.

Conexión del amplificador

Conecte el cable de salida de línea RCA (10) a la entrada AUX del amplificador:

- La toma roja en la entrada del canal R.
- La toma blanca en la entrada del canal L.
- Coloque el disco que desee en el tocadiscos. Si se trata de un disco de 45 rpm, no olvide colocar el adaptador (1) en el eje del disco.
- Elija la velocidad de reproducción que desee:

33 rpm -> botón desbloqueado

45 rpm-> botón bloqueado.

- Libere la sujeción del brazo del tocadiscos.
- Coloque la cápsula verticalmente sobre la primera pista del disco; el tocadiscos empieza a girar.
- Cuando el disco haya finalizado, el brazo del tocadiscos vuelve a su soporte y el tocadiscos deja de girar.

Tenga cuidado de que la palanca de levantamiento del tocadiscos se quede en la posición abajo y cierre el bloqueo del brazo del tocadiscos para asegurar el brazo.

Especificaciones Técnicas

Alimentación: CA100-240 60/50HZ

Consumo de energía: 12 W

Distorsión por variación de velocidad: 0.3%

Distorsión: 3%~4%

S/R: 50 dB

Tensión de salida de audio: 500mV \pm 200mV

USB: 5V/188 mA

* RECOMENDACIONES IMPORTANTES

Le aconsejamos limpiar sus discos con un paño impregnado en un producto antiestático para disfrutar al máximo de su música y hacer que los discos duren más tiempo.

Asimismo nos gustaría apuntar que por los mismos motivos la aguja debe sustituirse periódicamente (aproximadamente cada 250 horas).

Quite el polvo a la aguja cada cierto tiempo usando un cepillo muy suave impregnado de alcohol (cepillando de atrás hacia delante del cartucho).

1. Garantía

Commaxx B.V. ofrece servicio y garantía en cumplimiento con las leyes de la Unión Europea, lo cual implica que, en caso de que su producto precise ser reparado (tanto durante como después del periodo de garantía), deberá contactar directamente con su distribuidor.

Nota importante: No es posible enviar sus reparaciones directamente a Commaxx B.V.

Nota importante: Si la unidad es abierta por un centro de servicio no oficial, la garantía quedará anulada.

Este aparato no es adecuado para el uso profesional. En caso de darle un uso profesional, todas las obligaciones de garantía del fabricante quedarán anuladas.

2. Exención de responsabilidad

Regularmente se llevan a cabo actualizaciones en el Firmware y en los componentes del hardware. Por esta razón, algunas de las instrucciones, especificaciones e imágenes incluidas en este documento pueden diferir ligeramente respecto a su situación particular. Todos los elementos descritos en esta guía tienen un objetivo de mera ilustración, y pueden no ser de aplicación en su situación particular. No se puede obtener ningún derecho ni derecho legal a partir de la descripción hecha en este manual.

3. Eliminación del antiguo dispositivo



Este símbolo indica que no deberá deshacerse del producto eléctrico o batería en cuestión junto con los residuos domésticos, en el ámbito de la UE. Para garantizar un tratamiento residual correcto del producto y su batería, por favor, elimínelos cumpliendo con las leyes locales aplicables sobre requisitos para el desecho de equipos eléctricos y baterías. De hacerlo, ayudará a conservar recursos naturales y mejorar los estándares de protección medioambiental en el tratamiento y eliminación de residuos eléctricos (Directiva sobre la Eliminación de Equipos Eléctricos y Electrónicos).

4. DECLARACIÓN DE CONFORMIDAD

Por el presente, Commaxx declara que el equipo de radio tipo [Lenco LBT-120] cumple con la directiva 2014/53/UE. El texto completo de la declaración UE de conformidad está disponible en la siguiente dirección de Internet:

https://commaxx-certificates.com/doc/lbt-120_doc.pdf

Tipo de radiofrecuencia	Rango de frecuencia (MHz)	Potencia (dBm)
Bluetooth	2402-2480	<6

5. SERVICIO TÉCNICO

Para más información y atención al cliente, visite www.lenco.com

Commaxx B.V. Wiebachstraat 37, 6466 NG Kerkrade, The Netherlands.

ATTENZIONE:

L'utilizzo di controlli o regolazioni o l'esecuzione di procedure diverse da quelle specificate può causare l'esposizione a radiazioni pericolose.

PRECAUZIONI PRIMA DELL'USO**CONSERVARE QUESTE ISTRUZIONI:**

1. Non coprire o bloccare le aperture di ventilazione. Quando si posiziona il dispositivo su uno scaffale, lasciare uno spazio libero di 5 cm (2") attorno all'intero perimetro.
2. Installare secondo quanto riportato nel manuale fornito.
3. Tenere il dispositivo lontano da sorgenti termiche come radiatori, termosifoni, stufe, candele e altri prodotti che generano calore o fiamme libere. Il dispositivo può essere utilizzato solo in climi moderati. Evitare ambienti estremamente freddi o caldi. Temperatura operativa compresa tra 0° e 35°C.
4. Evitare l'uso del dispositivo in presenza di forti campi magnetici.
5. Le scariche elettrostatiche possono interferire con il normale utilizzo di questo dispositivo. In tal caso, è sufficiente ripristinare e riavviare il dispositivo seguendo il manuale di istruzioni. Durante la trasmissione di file, maneggiarlo con cura e operare in un ambiente privo di elettricità statica.
6. Avviso! Non inserire mai oggetti nel prodotto attraverso le prese d'aria o le aperture. All'interno del prodotto sono presenti tensioni elevate e l'inserimento di un oggetto può provocare scariche elettriche e/o cortocircuiti. Per lo stesso motivo, non versare acqua o liquidi sul prodotto.
7. Non utilizzare in aree umide o bagnate come bagni, cucine con vapore o piscine.
8. Non esporre il dispositivo a schizzi o gocciolamenti di liquidi; non poggiare sopra o accanto al dispositivo oggetti contenenti liquidi, ad esempio vasi.
9. Non utilizzare questo dispositivo in caso di condensa. Quando l'unità viene utilizzata in una stanza calda e umida, all'interno dell'unità possono formarsi goccioline d'acqua o condensa e l'unità potrebbe non funzionare correttamente; lasciare l'unità spenta per 1 o 2 ore prima di accenderla: l'unità deve essere asciutta prima di essere alimentata.
10. Sebbene questo dispositivo sia fabbricato con la massima cura e controllato più volte prima di lasciare la fabbrica, è comunque possibile che si verifichino problemi come per qualsiasi altra apparecchiatura elettrica. Se si nota fumo, eccessivo accumulo di calore o altri fenomeni imprevisti, scollegare immediatamente la spina dalla presa di alimentazione principale.
11. Questo dispositivo deve funzionare con una fonte di alimentazione con i valori indicati sull'etichetta delle specifiche. Se non si è sicuri del tipo di alimentazione utilizzata in casa, consultare il rivenditore o la compagnia elettrica locale.
12. Tenere fuori dalla portata degli animali domestici, Ad alcuni animali piace mordere i cavi di alimentazione.
13. Per pulire il dispositivo, utilizzare un panno morbido e asciutto. Non usare solventi o liquidi a base di benzina.
Per rimuovere le macchie persistenti, è possibile utilizzare un panno umido con detergente diluito.
14. Il fornitore non è responsabile per danni o perdita di dati causati da malfunzionamento, uso improprio, modifica del dispositivo o sostituzione della batteria.
15. Non interrompere la connessione quando il dispositivo sta formattando o trasferendo file. In caso contrario, i dati potrebbero essere danneggiati o andare persi.
16. Se l'unità dispone della funzione di riproduzione USB, la chiavetta USB deve essere collegata direttamente all'unità. Non utilizzare una prolunga USB perché può causare interferenze con conseguenti anomalie dati.
17. L'etichetta di classificazione è stata contrassegnata sul pannello inferiore o posteriore del dispositivo.
18. Questo dispositivo non è destinato all'uso da parte di persone (compresi i bambini) con disabilità fisiche, sensoriali o mentali, o mancanti di esperienza e conoscenza, a meno che non siano sotto supervisione o abbiano ricevuto istruzioni circa l'uso corretto del dispositivo da parte di chi è responsabile per la loro sicurezza.

19. Questo prodotto è destinato esclusivamente all'uso non professionale e non commerciale o industriale.
20. Assicurarsi che l'unità sia collocata in una posizione stabile. I danni causati dall'uso di questo prodotto in una posizione instabile, vibrazioni o urti o la mancata osservanza di qualsiasi altro avvertimento o precauzione indicati in questo manuale utente non saranno coperti da garanzia.
21. Non rimuovere mai la carcassa di questo dispositivo.
22. Non posizionare mai questo dispositivo su altre apparecchiature elettriche.
23. Non permettere ai bambini di accedere ai sacchetti di plastica.
24. Utilizzare solo collegamenti/accessori specificati dal produttore.
25. Rivolgersi a personale qualificato per l'assistenza. L'assistenza è necessaria quando il dispositivo è stato in qualche modo danneggiato, come il cavo di alimentazione o la spina, quando è stato versato del liquido o sono caduti oggetti nel dispositivo, quando il dispositivo è stato esposto a pioggia o umidità, non funziona normalmente o è stato abbandonato.
26. L'esposizione prolungata ai suoni ad alto volume dei lettori musicali può causare una perdita temporanea o permanente dell'udito.
27. Se il prodotto viene consegnato con cavo di alimentazione o adattatore di alimentazione CA:
 - In caso di problemi, scollegare la scheda di alimentazione CA e rivolgersi a personale qualificato.
 - Non calpestare o schiacciare l'alimentatore. Fare molta attenzione, in particolare vicino alle prese e al punto di uscita del cavo. Non posizionare oggetti pesanti sull'alimentatore in quanto potrebbero danneggiarlo. Tenere il dispositivo fuori dalla portata dei bambini. Giocando con il cavo di alimentazione possono infortunarsi seriamente.
 - Scollegare il dispositivo durante i temporali o quando non viene utilizzato per un lungo periodo.
 - La presa di corrente deve essere installata vicino all'apparecchio e deve essere facilmente accessibile.
 - Non sovraccaricare le prese CA né le prolunghe. Il sovraccarico può causare incendi o scariche elettriche.
 - I dispositivi con struttura di classe 1 devono essere collegati a una presa di rete con connessione di messa a terra di protezione.
 - I dispositivi con struttura di classe 2 non richiedono un collegamento a terra.
 - Tenere sempre la spina quando la si estrae dalla presa di rete. Non tirare il cavo di alimentazione. Ciò può causare un cortocircuito.
 - Non utilizzare un cavo o una presa di alimentazione danneggiati o una presa non fissata. Tale azione potrebbe provocare incendi o scariche elettriche.
28. Se il prodotto contiene o viene consegnato con un telecomando contenente batterie a pulsante/a bottone:

Avvertenza:

 - "Non ingerire la batteria, pericolo di ustioni chimiche" o funzionamento equivalente.
 - [Il telecomando in dotazione con] Il presente prodotto contiene una pila a bottone. Se ingerita, la batteria può causare gravi ustioni interne in sole 2 ore e portare alla morte.
 - Tenere le batterie, nuove o usate, fuori dalla portata dei bambini.
 - Se il vano batteria non si chiude completamente, interrompere l'uso del dispositivo e tenerlo fuori della portata dei bambini.
 - Se si teme che delle batterie possano essere state inghiottite o essere venute a contatto con qualsiasi parte interna del corpo, contattare immediatamente un medico.
29. Precauzioni sull'uso delle batterie:
 - Pericolo di esplosione se la batteria viene sostituita in modo errato. Sostituire solo con lo stesso tipo o equivalente.
 - Non sottoporre le batterie a temperature estreme alte o basse, bassa pressione dell'aria ad alta quota durante l'uso, lo stoccaggio o il trasporto.
 - La sostituzione con una batteria di tipo errato può provocare un'esplosione o la perdita di liquidi o gas infiammabili.
 - Lo smaltimento di una batteria nel fuoco o in un forno caldo o lo schiacciamento o il taglio meccanico di una batteria possono provocare un'esplosione.
 - Lasciare una batteria in un ambiente circostante a temperatura estremamente elevata può provocare un'esplosione o una perdita di liquidi o gas infiammabili.

- Una batteria soggetta a una pressione dell'aria estremamente bassa può provocare un'esplosione o una perdita di liquidi o gas infiammabili.
- È necessario prestare attenzione agli aspetti ambientali legati allo smaltimento delle batterie.

INSTALLAZIONE

- Disimballare tutte le parti e rimuovere il materiale protettivo.
- Non collegare l'unità alla rete elettrica prima di avere controllato la tensione di rete e prima che siano stati effettuati tutti gli altri collegamenti.

* Queste istruzioni sono relative solo ai prodotti che utilizzano il cavo di alimentazione o l'alimentatore CA.

Informazioni per l'alimentatore

Alimentatore

- Produttore: **Shenzhen Andsmeps Electronic Technology Co., Ltd**
- Numero modello: **AS013W-1201000ZC**
- Tipo di alimentatore: Alimentatore CA esterno
- Utilizzare solo l'alimentazione indicata nel presente manuale

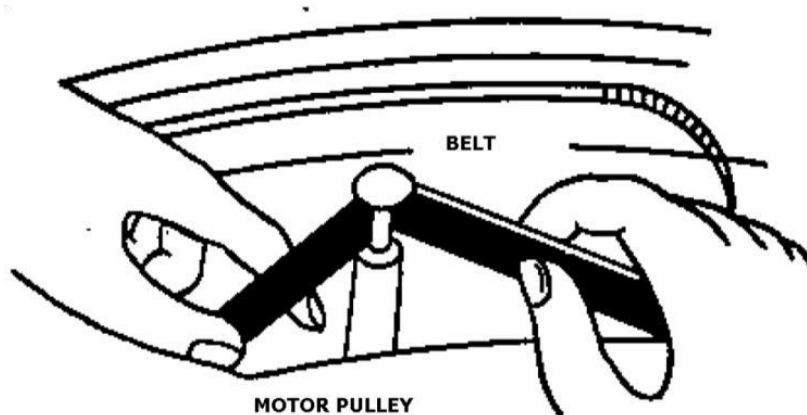
Informazioni	Valore e precisione
Nome del produttore o marchio commerciale, registrazione commerciale e indirizzo	- Andsmeps Electronic Technology Co., Ltd 201, No 18 Munfu Road, Sha Tou Industrial Park, Sha Tou Community, Sha Jing Street, Baoan District, Shenzhen City, Guangdong China
Identificatore del modello	- AS013W-1201000ZC
Tensione in ingresso	AC 100-240V
Frequenza in ingresso CA	50/60H
Tensione in uscita	12.0V
Corrente in uscita	1.0A
Potenza in uscita	12W
Efficienza media attiva	82.96%
Efficienza a basso carico (10%)	79.95%
Nessun carico Consumo energetico	≤0.075W

Montaggio

Trasmissione a cinghia:

La cinghia e il piatto del giradischi sono stati installati correttamente in fabbrica, ma la cinghia potrebbe essere allentata durante il trasporto. In tal caso, per l'installazione della cinghia verranno adottate le seguenti procedure.

- A. Rimuovere il tappetino di gomma dal piatto del giradischi e l'anello E dall'albero del giradischi, quindi rilasciare il piatto del giradischi dall'albero
- B. Mettere la cinghia di trasmissione sul bordo interno del piatto del giradischi e tirarla attraverso il foro
- C. Tenere la cinghia con le dita e posizionare la cinghia sulla puleggia del motore come mostrato nel disegno.



- D. Agganciare l'anello E sull'albero e posizionare il tappetino di gomma sul piatto del giradischi.

Attenzione:

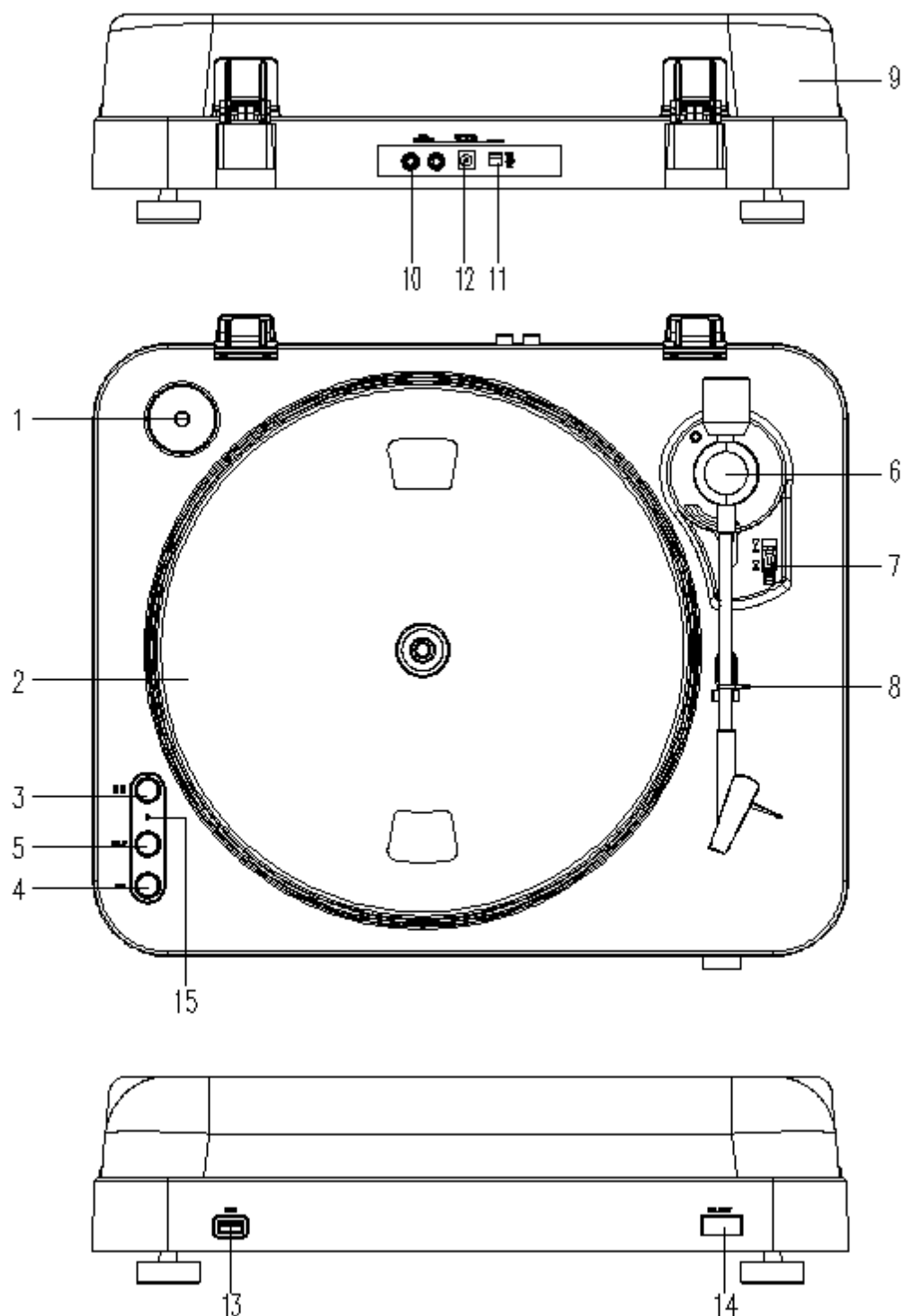
1. Assicurarsi che la cinghia di trasmissione non sia attorcigliata o deformata.
2. Evitare l'olio. Gli schizzi d'olio renderanno la cinghia scivolosa.

Ripristino ritorno automatico:

Effettuare sempre il ripristino per il ritorno automatico una volta spostato questo prodotto. Il meccanismo di ritorno automatico ruoterà in modo irregolare durante lo spostamento e causerà il malfunzionamento del ritorno automatico. I seguenti passaggi ripristineranno il meccanismo alla normalità.

1. Porre un disco sul piatto e riprodurlo.
2. Fare leva manualmente sul braccio e posizionalo sulla parte vuota della fine del disco.
3. Il meccanismo della funzione di ritorno automatico verrà regolato correttamente e il braccio tornerà automaticamente al supporto del braccio.

Descrizione



1. Adattatore:

Utilizzare questo adattatore quando si riproducono dischi 45 giri.

2. Piatto: Porre qui un disco da riprodurre.

3. Selettore 33/45 giri:

Selezionare 33 o 45 giri per riprodurre un disco alla velocità corretta.

4. REC:

Premerlo per accedere alla modalità di registrazione.

5. SPLIT/ACCOPIAMENTO (BLUETOOTH)

Funzione Split: Per interrompere la registrazione corrente, formare manualmente un file di registrazione e quindi continuare a registrare la traccia successiva.

Funzione Accoppiamento: Premere questo pulsante finché l'indicatore LED non inizia a lampeggiare in blu, quindi mettere l'altoparlante o le cuffie Bluetooth in modalità di accoppiamento. Quindi questo giradischi si collegherà automaticamente all'altoparlante o alle cuffie Bluetooth e l'indicatore LED sarà blu senza lampeggiare dopo aver effettuato la connessione. La riproduzione della musica wireless può iniziare. È possibile avviare lo streaming della musica in modalità wireless!

Premere questo pulsante fino a quando l'indicatore LED non diventa blu lampeggiante e la connessione Bluetooth viene disconnessa.

Osservazioni: Quando si tenta di accoppiare il giradischi, è meglio chiudere la funzione Bluetooth dei prodotti Bluetooth entro 10 metri che non si desidera accoppiare.

6. Supporto braccio di pick-up

7. Stick sollevamento braccio di pick-up:

Per alzare e abbassare il braccio del pick-up e puntare in un punto appropriato di un vinile.

8. Blocco braccio di pick-up:

Usalo per bloccare il braccio di pick-up quando non è in uso o per il trasporto.

9. Copertura antipolvere:

Usarla per proteggere il giradischi dall'esposizione alla polvere. La copertura può essere aperta o rimossa durante l'uso, ma deve restare chiusa quando il giradischi non è in uso.

10. Cavi uscita linea RCA

Collegare l'uscita della linea RCA a un mixer o un amplificatore nel proprio impianto audio.

11. Interruttore:

accendere e spegnere con questo interruttore. Spegnerne l'unità dopo aver terminato la riproduzione per risparmiare energia.

12. Alimentatore

Collegare questo alimentatore a una presa CA della tensione corretta.

13. Ingresso porta USB:

Collegare una chiavetta USB per registrare la musica da un disco.

* Il design è solo per chiavetta USB. Per evitare che l'alimentazione non sia sufficiente e si surriscaldi il circuito (IC), procurarsi sempre l'alimentatore esterno se si utilizza un disco rigido.

14. Reject

Premerlo per forzare il braccio a tornare direttamente al supporto del braccio

15. LED

- Operazione registrazione USB e indicazione segnale LED
- Il dispositivo di archiviazione USB non è collegato. -> Spia LED spenta
- Dispositivo di archiviazione USB è collegato -> Il LED lampeggia
- Quando il sistema è pronto per registrare. -> Spia LED accesa
- Premere il pulsante REC per avviare la registrazione. -> Il LED lampeggia lentamente.

- Premere il pulsante SPLIT per creare un nuovo file nella registrazione.
- Premere nuovamente il pulsante REC per arrestare la registrazione. -> Il LED lampeggia per un breve tempo, la spia LED è ancora accesa.

Nota: non rimuovere il dispositivo di archiviazione USB se il LED sta lampeggiando.

Collegamento alla rete

Assicurarsi che la tensione di rete della casa corrisponda alla tensione di esercizio dell'unità. La propria unità è pronta per essere collegata alla tensione corretta della propria località.

Connessione amplificatore

Collegare il cavo di uscita della linea RCA (10) all'ingresso AUX dell'amplificatore:

- Collegare rosso all'ingresso del canale R.
- Collegare bianco all'ingresso del canale L.
- Posizionare il disco di propria scelta sul giradischi. Se si tratta di un 45 giri, non dimenticare di posizionare l'adattatore (1) sul mandrino del disco.
- Scegliere la velocità di riproduzione desiderata:

33 rpm -> pulsante sbloccato

45 rpm-> pulsante bloccato.

- Rilasciare la clip del braccio di pick-up.
 - Posizionare la cartuccia verticalmente sulla prima traccia del disco, il giradischi inizia a girare.
 - Quando il disco è finito, il braccio del pick-up torna a riposo, il giradischi smette di girare
- Fare attenzione che lo stick di sollevamento di pick-up sia in posizione abbassata, chiudere il blocco del braccio di pick-up per fissarlo.

Specifiche Tecniche

Alimentazione: CA100-240 60/50HZ

Consumo: 12W

Wow & Flutter: 0,3%

Distorsione: 3%~4%

N/S: 50 dB

Tensione in uscita audio: 500mV \pm 200mV

*** RACCOMANDAZIONI IMPORTANTI**

Ti consigliamo di pulire i tuoi dischi usando uno straccio impregnato con un prodotto antistatico per il massimo godimento dei tuoi dischi e anche per farli durare.

Segnaliamo inoltre che, per lo stesso motivo, la puntina dovrebbe essere sostituita periodicamente (circa ogni 250 ore)

Spolverare la puntina di tanto in tanto utilizzando una spazzola molto morbida imbevuta di alcool (spazzolando dal retro verso il davanti della testina).

1. Garanzia

Commaxx B.V. offre assistenza e garanzia in conformità con la legge europea, il che significa che in caso di riparazioni (sia durante che dopo il periodo di garanzia) è necessario contattare il rivenditore locale.

Nota importante: Non è possibile inviare direttamente a Commaxx B.V. i prodotti da riparare.

Nota importante: Qualora l'unità venga aperta o manomessa in qualsiasi modo da un centro di assistenza non riconosciuto, la garanzia decade.

Questo dispositivo non è adatto per l'uso professionale. Qualora l'unità venga utilizzata per scopi professionali, tutti gli obblighi del produttore derivanti dalla garanzia sono nulli.

2. Clausola di esclusione della responsabilità

Il firmware e/o i componenti hardware vengono aggiornati regolarmente. Pertanto, è possibile che alcune parti relative a istruzioni, specifiche e immagini contenute nella presente documentazione siano diverse da quanto riscontrato nel singolo caso. Tutte le descrizioni incluse in questa guida sono fornite a puro titolo illustrativo e non si applicano necessariamente alla specifica situazione. Nessun diritto legale o contrattuale può derivare dalle descrizioni contenute nel presente libretto di istruzioni.

3. Smaltimento a fine vita del dispositivo



Questo simbolo indica che in Europa è vietato gettare il relativo prodotto elettrico o batteria tra i rifiuti domestici. Per il corretto smaltimento a fine vita del prodotto e della batteria, attenersi alle vigenti normative locali per il trattamento dei rifiuti da apparecchiature elettriche ed elettroniche e delle batterie. In tal modo si contribuisce a salvaguardare le risorse naturali e a migliorare gli standard per la protezione dell'ambiente nel trattamento dei rifiuti da apparecchiature elettriche ed elettroniche (Direttiva RAEE).

4. DICHIARAZIONE DI CONFORMITÀ

Il fabbricante, Commaxx, dichiara che il tipo di apparecchiatura radio [Lenco LBT-120] è conforme alla direttiva 2014/53/UE. Il testo completo della dichiarazione di conformità UE è disponibile al seguente indirizzo Internet:

https://commaxx-certificates.com/doc/lbt-120_doc.pdf

Tipo RF	Intervallo di frequenze (MHz)	Potenza (dBm)
Bluetooth	2402-2480	<6

5. Assistenza

Per ulteriori informazioni e accesso all'helpdesk, visitare il sito www.lenco.com

Commaxx B.V. Wiebachstraat 37, 6466 NG, Kerkrade, Paesi Bassi.

FORSIGTIG:

Hvis enheden ikke anvendes, justeres og behandles i overensstemmelse med brugervejledningen, kan det resultere i farlig stråling.

FORHOLDSREGLER FØR IBRUGTAGNING

HUSK DISSE ANVISNINGER:

1. Ventilationsåbninger må ikke tildækkes eller blokeres. Hvis enheden placeres på en hylde, skal der altid være 5 cm (2") frirum på alle sider af enheden.
2. Installér enheden iht. anvisningerne i den medfølgende brugervejledning.
3. Hold enheden væk fra varmekilder som radiatorer, varmeapparater, brændeovne, stearinlys og andre varmegenererende produkter eller åben ild. Enheden kan kun bruges i moderate klimaer. Ekstremt kolde eller varme omgivelser bør undgås. Driftstemperatur mellem 0 °C og 35 °C.
4. Undlad at anvende enheden nær stærke magnetfelter.
5. Elektrostatisk afladning kan forstyrre normal brug af denne enhed. Sker det, skal du blot nulstille og genstarte enheden i henhold til anvisningerne i brugervejledningen. Under filoverførsel skal du være forsigtig og arbejde i et miljø uden statisk elektricitet.
6. Advarsel! Stik aldrig en genstand ind i produktet gennem ventilationshullerne eller åbningerne. Der løber højspænding gennem produktet, og hvis du stikker en genstand ind, kan det give elektrisk stød og/eller kortslutte interne dele. Af samme grund må der ikke spildes vand eller væske på produktet.
7. Benyt ikke enheden på våde eller fugtige steder som fx på et badeværelse, i et dampfyldt køkken eller nær en swimmingpool.
8. Enheden må ikke udsættes for dryp eller stænk. Der må ikke anbringes genstande fyldt med væske, som f.eks. vaser, på eller i nærheden af enheden.
9. Brug ikke denne enhed, når der kan opstå kondens. Hvis enheden placeres i et varmt og fugtigt rum, kan der danne sig vanddråber eller kondens i den, og den kan muligvis ikke fungere korrekt. Lad enheden være slukket i 1-2 timer, inden du tænder den. Enheden skal være tør, når der tændes for strømmen.
10. Selvom denne enhed er fremstillet med den største omhu og kontrolleret flere gange, før den forlader fabrikken, er det stadig muligt, at der kan opstå problemer, som med alle elektriske apparater. Hvis du bemærker røg, overdreven varmeudvikling eller andre uventede fænomener, skal du straks tage stikket ud af stikkontakten.
11. Denne enhed skal fungere på en strømkilde som angivet på specifikationsetiketten. Hvis du ikke er sikker på, hvilken forsyningsspænding, der anvendes i dit hjem, bør du søge vejledning hos din forhandler eller det lokale elselskab.
12. Holde væk fra dyr. Nogle kæledyr kan finde på at bide i strømkabler.
13. Brug en blød, tør klud til at rengøre enheden. Brug ikke opløsningsmidler eller benzinbaserede væsker. For at fjerne svære pletter kan du bruge en fugtig klud med fortyndet rengøringsmiddel.
14. Producenten er ikke ansvarlig for skade eller mistede data, der skyldes fejlfunktion, misbrug, ændringer af enheden eller udskiftning af batterier.
15. Undlad at afbryde forbindelsen, mens enheden formateres, eller der overføres filer. Ellers kan data blive beskadiget eller gå tabt.
16. Hvis enheden har USB-afspilningsfunktion, skal USB-hukommelsesnøglen tilsluttes direkte til enheden. Brug ikke et USB-forlænger-kabel, da det kan forårsage interferens og dermed ødelægge data.
17. Mærkepladen findes i bunden eller på bagsiden af enheden.
18. Denne enhed må ikke bruges af personer (inkl. børn) med nedsatte fysiske motoriske eller mentale evner eller manglende erfaring, medmindre de er blevet instrueret i brugen af en person, der er ansvarlig for deres sikkerhed, og er under dennes opsyn.
19. Produktet er udelukkende beregnet til ikke-professionel brug, ikke til kommerciel eller industriel anvendelse.
20. Sørg for, at enheden er justeret til en stabil position. Skade, der skyldes anvendelse af produktet i en ustabil position, vibrationer, stød eller manglende overholdelse af de retningslinjer og andre advarsler, der er udstukket i denne brugervejledning, dækkes ikke af garantien.
21. Åbn aldrig enhedens kabinet.

22. Placér aldrig denne enhed ovenpå andet elektrisk udstyr.
23. Lad ikke børn få adgang til plastposer.
24. Brug kun tilslutninger/tilbehør, der er angivet af producenten.
25. Overlad al service til kvalificeret servicepersonale. Service er påkrævet, hvis enheden på nogen måde er beskadiget, hvis f.eks. strømkablet eller stikket er beskadiget, hvis der er spildt væske på enheden, eller hvis en genstand er faldet ned i den, hvis enheden har været udsat for regn eller fugt, ikke fungerer korrekt eller er blevet tabt.
26. Langvarig lytning til musik ved høj lydstyrke kan medføre midlertidige eller permanente høreskader.
27. Hvis produktet leveres med strømkabel eller strømforsyning til vekselstrøm:
 - Hvis der opstår problemer, skal du tage stikket ud af kontakten og overlade al service til kvalificeret tekniker.
 - Undgå at træde på eller klemme strømadapteren. Vær meget forsigtig, især i nærheden af stikkene og kablets udgang. Placer ikke tunge genstande på strømadapteren, da de kan beskadige den. Hold hele enheden uden for børns rækkevidde! Hvis børn leger med strømkabler, kan de komme slemt til skade.
 - Tag stikket ud af stikkontakten i tordenvejr, samt hvis du ikke skal bruge enheden i længere tid.
 - Enheden skal placeres nær stikkontakten, og der skal altid være let adgang til den stikkontakt, enheden er tilsluttet.
 - Overbelast ikke stikkontakter eller forlængerledninger. Overbelastning kan forårsage brand eller elektrisk stød.
 - Enheder med klasse 1-opbygning bør forbindes til en stikkontakt med jord.
 - Enheder med klasse 2-opbygning kræver ikke jordforbindelse.
 - Hold altid i stikket, når du trækker det ud af stikkontakten. Træk ikke i netledningen. Det kan forårsage en kortslutning.
 - Brug ikke en beskadiget ledning eller stik eller en løs stikkontakt. Det kan resultere i brand eller elektrisk stød.
28. Hvis produktet indeholder eller leveres med en fjernbetjening indeholdende knapcellebatterier:
 Advarsel:
 - "Slug ikke batteriet, der er risiko for kemisk forbrænding" eller tilsvarende.
 - [Fjernbetjeningen leveres med] Dette produkt indeholder et knapcellebatteri, der, hvis det sluges, kan forårsage kraftig indre forbrænding på blot 2 timer og kan medføre dødsfald.
 - Hold nye og brugte batterier udenfor børns rækkevidde.
 - Hvis batterirummet ikke kan lukkes sikkert, skal du holde op med at bruge produktet og holde det udenfor børns rækkevidde.
 - Hvis du tror, et batteri kan være blevet slugt eller placeret inden i nogen del af kroppen, skal du omgående søge lægehjælp.
29. Advarsel om brug af batterier:
 - Eksplosionsfare, hvis batteriet udskiftes forkert. Udskift kun batteriet med den samme eller en tilsvarende type.
 - Batteriet må ikke udsættes for ekstremt høje eller lave temperaturer eller lavt lufttryk ved stor højde under brug, opbevaring eller transport.
 - Udskiftning af et batteri med et andet af forkert type kan medføre eksplosion eller lækage af brændbar væske eller gas.
 - Bortskaffelse af batterier ved afbrænding eller i en varm ovn eller ved mekanisk knusning eller opskæring af et batteri kan medføre en eksplosion.
 - Hvis et batteri efterlades i omgivelser med ekstremt høje temperaturer, kan det medføre eksplosion eller lækage af brændbar væske eller gas.
 - Hvis et batteri udsættes for ekstremt lavt lufttryk, kan det medføre eksplosion eller lækage af brændbar væske eller gas.
 - Tænk på miljøet ved bortskaffelse af brugte batterier.

INSTALLATION

- Udpak alle dele, og fjern beskyttelsesmaterialerne.
- Slut ikke enheden til lysnettet, før du har kontrolleret forsyningsspændingen og foretaget alle nødvendige tilslutninger.

* Anvisningerne er udelukkende beregnet til produkter, der anvender strømkabel eller strømforsyning til vekselstrøm.

Oplysninger om strømadapter

Strømforsyning

- Producent: Shenzhen Andsmeps Electronic Technology Co., Ltd
- Modelnr.: AS013W-1201000ZC
- Adaptertype: Ekstern AC-adapter
- Brug kun den strømforsyning, der er angivet i betjeningsvejledningen

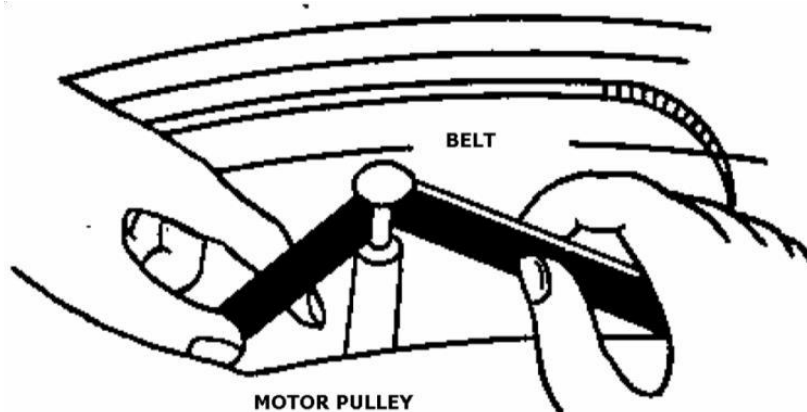
Information	Værdi og præcision
Producentens navn eller varemærke, handelsregistrering og adresse	- Andsmeps Electronic Technology Co., Ltd 201, No 18 Munfu Road, Sha Tou Industrial Park, Sha Tou Community, Sha Jing Street, Baoan District, Shenzhen City, Guangdong China
Modelnr	- AS013W-1201000ZC
Indgangsspænding	100-240 V vekselstrøm
AC-indgangsfrekvens	50/60 H
Udgangsspænding	12,0 V
Udgangsstrøm	1,0 A
Udgangseffekt	12 W
Gennemsnitlig effektivitet i aktiv tilstand	82,96%
Effektivitet ved lav belastning (10%)	79,95%
Strømforbrug ved ingen belastning	≤0,075 W

Montering

Drivrem:

Remmen og pladespilleren er blevet installeret korrekt på fabrikken, men remmen kan have løsnet sig under transporten. Hvis det er tilfældet, skal du selv udføre følgende procedurer for montering af remmen.

- Fjern gummimåtten fra pladespillertallerkenen og E-ringen fra pladespillerakslen, og frigør derefter pladespillertallerkenen fra akslen
- Sæt drivremmen på den indvendige kant af pladespillertallerkenen, og træk den gennem hullet
- Hold remmen med fingrene, og sæt remmen på motorremskiven som vist på tegningen.



EN	DK/NO
BELT	REM
MOTOR PULLEY	MOTORREMSKIVE

- Sæt E-ringen på akslen, og læg gummimåtten på pladespillertallerkenen.

Forsigtig:

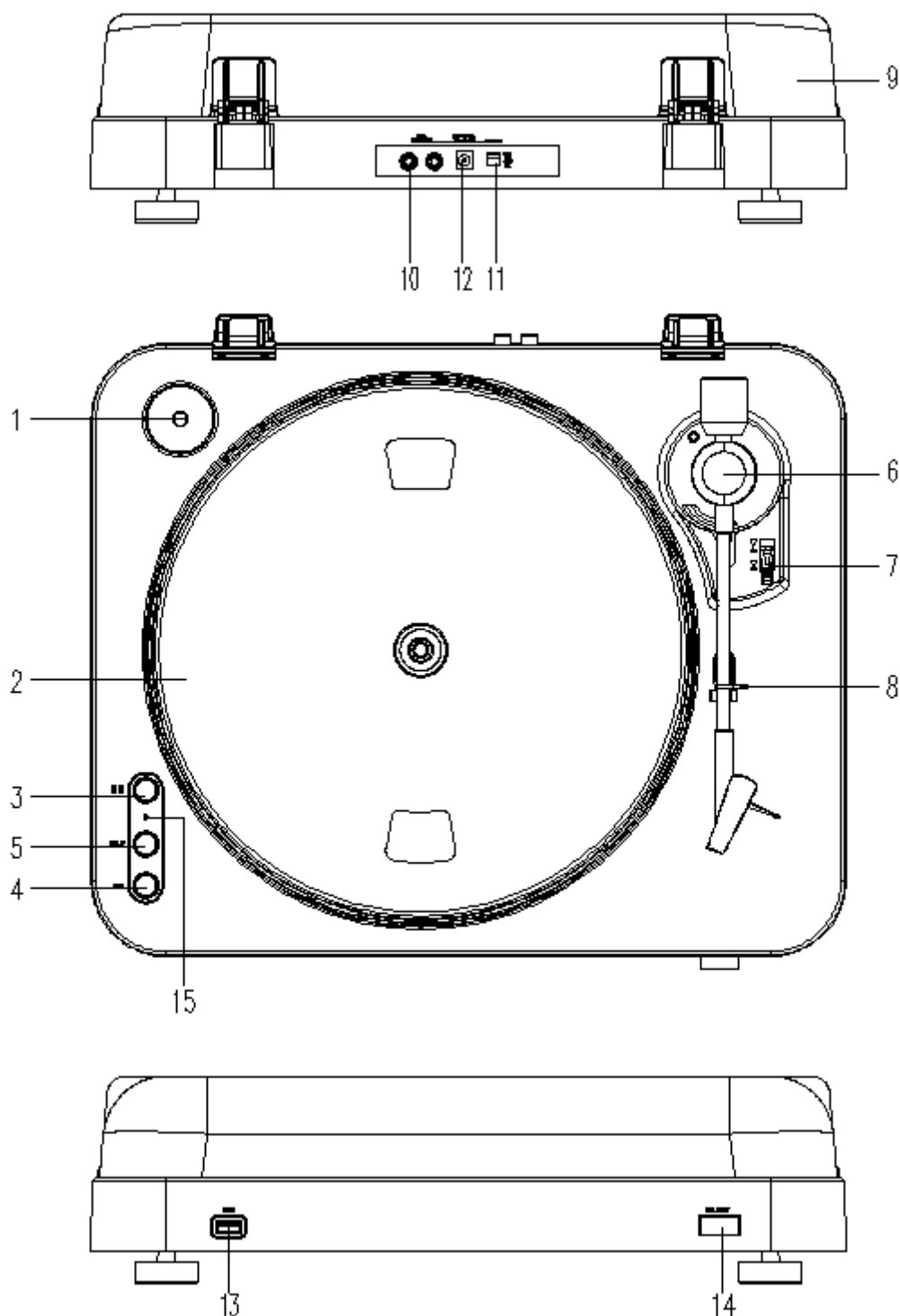
- Sørg for, at drivremmen ikke er snoet eller forvredet.
- Undgå olie. Olietænk vil gøre remmen glat.

Nulstilling af automatisk returnering:

Nulstil altid automatisk returnering, når du flytter produktet. Mekanismen for automatisk returnering vil rotere uregelmæssigt, når du flytter den, og det vil medføre fejlfunktion af automatisk returnering. Følgende trin vil nulstille mekanismen til normal.

- Læg en plade i pladespilleren, og afspil den.
- Løft tonearmen manuelt, og placer den på den tomme del af enden af pladen.
- Mekanismen for automatisk returnering vil blive justeret korrekt, og tonearmen vil automatisk vende tilbage til armlænet.

Beskrivelse



1. Adapter:

Brug denne adapter til afspilning af 45 RPM-plader.

2. **Pladetallerken:** Placer en plade her for at afspille den.

3. Skift mellem 33/45 RPM:

Skift mellem 33 og 45 rpm for at afspille en plade med den korrekte hastighed.

4. REC (Optag):

Tryk på den for at aktivere optagelsestilstand.

Bemærk: Du kan ikke optage, mens pladespilleren sender lyd via Bluetooth.

5. SPLIT/PAR (BLUETOOTH)

Split-funktion: Til at stoppe den aktuelle optagelse, danne en optagelsesfil manuelt og derefter fortsætte med at optage det næste musiknummer.

Par-funktion: Tryk på denne knap, indtil LED-indikatoren begynder at blinke blå, og sæt derefter din Bluetooth-højtaler eller hovedtelefoner i parringstilstand. Så opretter pladespilleren automatisk forbindelse til Bluetooth-højtaleren eller -hovedtelefonerne, og LED-indikatoren lyser blå uden at blinke, når forbindelsen er oprettet. Den trådløse musikafspilning kan starte. Du kan begynde at streame musikken trådløst!

Tryk på denne knap, indtil LED-indikatoren blinker blå, og Bluetooth-forbindelsen er afbrudt.

Bemærk: Når du forsøger at parre pladespilleren, skal du lukke Bluetooth-funktionen på de Bluetooth-produkter inden for 10 meter, som du ikke ønsker at parre.

Bemærk: Bluetooth-udgang og USB-optagelse kan ikke bruges sammen

6. Stativ til tonearm

7. Løftestang til tonearm:

Til at hæve og sænke tonearmen og cue på det rigtige sted på en vinylplade.

8. Lås til tonearm:

Brug den til at låse tonearmen, når den ikke er i brug eller under transport.

9. Støvlåg:

Brug det til at beskytte pladespilleren mod støv. Låget kan åbnes eller fjernes under brug, men skal forblive lukket, når pladespilleren ikke er i brug.

10. RCA-linjeudgangskabel

Tilslut RCA-linjeudgangen til en mixer eller en forstærker i dit lydsystem.

11. Tænd/sluk-knap:

Til at tænde eller slukke for strømmen via denne kontakt. Sluk for enheden, når du er færdig med at afspille musik, for at spare på strømmen.

12. Strømforsyning

Tilslut denne adapter til en stikkontakt med korrekt spænding.

13. USB-indgang:

Sæt en USB-nøgle i for at optage musikken fra en plade.

* Designet er kun til USB-flashdrev. For at forhindre, at strømforsyningen ikke er tilstrækkelig og overophedning af kredsløbet (IC), skal du altid bruge den eksterne strømforsyning, hvis du bruger en harddisk.

14. Afvis

Tryk på den for at tvinge armen til at vende direkte tilbage til armlænet

15. LED

- USB-optagelsesfunktion og LED-signalindikation
- USB-lagerenheden er ikke tilsluttet. -> LED-lyset er slukket
- USB-lagerenheden er tilsluttet -> LED-lyset blinker
- Når systemet er klar til at optage. -> LED-lyset er tændt
- Tryk på REC-knappen for at starte optagelsen. -> LED-lyset blinker langsomt.

- Tryk på SPLIT-knappen for at oprette en ny fil i optagelsen.
- Tryk på REC-knappen igen for at stoppe optagelsen. -> LED-lyset blinker i kort tid, og derefter lyser LED-lyset igen.

Bemærk: Fjern ikke USB-lagerenheden, hvis LED-lyset blinker.

Strømtilslutning

Sørg for, at netspændingen i dit hjem svarer til enhedens driftsspænding. Din enhed er klar til at blive tilsluttet den korrekte spænding i dit hjem.

Forstærkertilslutning

Tilslut RCA-linjeudgangskablet (10) til AUX-indgangen på din forstærker:

- Rødt stik til R-kanalens indgang.
- Hvidt stik til L-kanalens indgang.
- Læg den valgte plade på pladespilleren. Hvis det er en 45 rpm, skal du huske at sætte adapteren (1) på pladespindlen.
- Vælg den ønskede afspilningshastighed:
33 rpm -> knap låst op
45 rpm-> knap låst.
- Frigør tonearmens klemme.
- Placer patronen lodret over det første musiknummer på pladen, og pladespilleren begynder at dreje.
- Når pladen er færdig, vender tonearmen tilbage til sin hvileposition, og pladespilleren holder op med at dreje

Sørg for, at løftestangen er i nederste position, og luk armlåsen for at sikre tonearmen.

Teknisk specifikation

Strømforsyning: AC 100-240 60/50 Hz

Energiforbrug: 12 W

Wow & Flutter: 0,3%

Forvrængning: 3%~4%

S/N: 50 dB

Lydudgangsspænding: 500 mV \pm 200 mV

*** VIGTIGE ANBEFALINGER**

Vi råder dig til at rengøre dine plader med en imprægneret klud med et antistatisk produkt, så du får mest mulig glæde af dine plader, og så de holder længere.

Af samme grund anbefaler vi, at nålen udskiftes med jævne mellemrum (efter ca. hver 250 timer).

Støv pennen af fra tid til anden med en meget blød børste dyppet i alkohol (børst fra bagsiden til forsiden af patronen).

1. Garanti

Commaxx B.V. tilbyder service og garanti i overensstemmelse med europæisk lovgivning, hvilket betyder, at i tilfælde af reparation (både under og efter garantiperiodens udløb) bør du kontakte din lokale forhandler.

Vigtig meddelelse: Det er ikke muligt at sende produktet direkte til Commaxx B.V., hvis det kræver reparation.

Vigtig meddelelse: Hvis enheden åbnes eller på nogen måde tilgås af et ikke-godkendt servicecenter, bortfalder garantien.

Denne enhed er ikke egnet til professionel brug. I tilfælde af professionel brug bortfalder alle garantiforpligtelser fra producentens side.

2. Ansvarsfraskrivelse

Firmware og/eller hardwarekomponenter opdateres regelmæssigt. Derfor kan nogle af instruktionerne, specifikationerne og billederne i denne dokumentation afvige lidt fra din særlige situation. Alle elementer, der beskrives i denne vejledning, er kun til illustration og gælder muligvis ikke for en bestemt situation. Der kan ikke opnås juridiske rettigheder fra beskrivelsen i denne vejledning.

3. Bortskaffelse af udtjente enheder



Symbolet angiver, at det relevante elektriske produkt eller batteri inden for Europa ikke må bortskaffes som almindeligt husholdningsaffald. For at sikre korrekt affaldsbehandling af produktet og batteriet bedes du bortskaffe dem i overensstemmelse med gældende lokal lovgivning om krav til bortskaffelse af elektrisk udstyr eller batterier. På den måde hjælper du med at bevare naturens ressourcer og forbedre standarderne for miljøbeskyttelse i forbindelse med behandling og bortskaffelse af elektrisk affald (direktivet om affald af elektrisk og elektronisk udstyr).

4. OVERENSSTEMMELSESERKLÆRING

Commaxx erklærer hermed, at radioudstyrstypen [Lenco LBT-120] er i overensstemmelse med direktiv 2014/53/EU. Den fulde tekst af EU-overensstemmelseserklæringens fulde tekst kan findes på følgende internetadresse:

https://commaxx-certificates.com/doc/lbt-120_doc.pdf

Type RF	Frekvensområde (MHz)	Effekt (dBm)
Bluetooth	2402-2480	< 6

5. SERVICE

Få mere information og kundeservice på www.lenco.com

Commaxx B.V. Wiebachstraat 37, 6466 NG Kerkrade, The Netherlands.

FÖRSIKTIGHET:

Användning av kontroller eller utförande av metoder som inte beskrivits häri kan leda till exponering för farlig strålning.

FÖRSIKTIGHETSÅTGÄRDER FÖRE ANVÄNDNING**IAKTTA DESSA ANVISNINGAR:**

1. Täck inte över eller blockera några ventilationsöppningar. När enheten placeras på en hylla bör det lämnas 5 cm (2 tum) ledigt utrymme runt hela enheten.
2. Montera i enlighet med den medföljande bruksanvisningen.
3. Håll enheten borta från värmekällor såsom radiatorer, värmare, spisar, ljus och andra värmegenererande produkter eller öppen eld. Enheten kan endast användas i måttliga klimat. Extremt kalla eller varma omgivningar bör undvikas. Drifttemperatur mellan 0 och 35 °C.
4. Undvik att använda enheten nära starka magnetfält.
5. Elektrostatisk urladdning kan störa den normala användningen av den här enheten. Återställ och starta om enheten enligt instruktionsboken om så är fallet. Hantera försiktigt och använd i en statiskt fri miljö vid filöverföring.
6. Varning! För aldrig in ett föremål i produkten genom ventilerna eller öppningarna. Högsänning flödar genom produkten och om du för in ett föremål kan det orsaka elektriska stötar och/eller kortslutning av interna komponenter. Undvik att spilla vatten eller vätska på produkten av samma anledning.
7. Enheten får inte användas i våta eller fuktiga miljöer såsom badrum, ångfyllda kök eller i närheten av simbassänger.
8. Enheten får inte utsättas för dropp eller stänk och se till att inga föremål fyllda med vätskor såsom vaser placeras på eller i närheten av den.
9. Enheten får inte användas när kondens kan uppstå. När enheten används i ett varmt och fuktigt rum kan vattendroppar eller kondens uppstå inuti enheten och enheten kanske inte fungerar som den ska. Låt enheten vara avstängd i en eller två timmar innan du slår på strömmen igen. Enheten ska vara torr innan strömmen slås på.
10. Även om denna enhet tillverkas med största omsorg och kontrolleras flera gånger innan den lämnar fabriken är det fortfarande möjligt att problem kan uppstå vilket gäller alla elektriska apparater. Om du märker rök, kraftig uppbyggnad av värme eller andra oväntade fenomen ska du omedelbart dra ur kontakten ur eluttaget.
11. Enheten måste drivas med en strömkälla såsom anges på de särskilda märkningskraven. Kontakta din återförsäljare eller lokala elbolag om du är osäker på vilken typ av strömförsörjning som används i ditt hem.
12. Håll på säkert avstånd från husdjur. Vissa djur kan bita på elkablar.
13. Använd en mjuk och torr trasa för att rengöra enheten. Använd inte lösningsmedel eller bensinbaserade vätskor. För att ta bort allvarliga fläckar kan du använda en fuktig trasa med utspätt rengöringsmedel.
14. Leverantören ansvarar inte för skador eller förlorade data orsakade av fel, missbruk, modifiering av enheten eller batteribyte.
15. Avbryt inte anslutningen när enheten formaterar eller överför filer. Data kan då bli skadade eller förloras.
16. Om enheten har en funktion med USB-uppspelning bör USB-minnet anslutas direkt till enheten. Använd inte en USB-förlängningskabel eftersom den kan orsaka störningar som kan leda till dataförlust.
17. Typskylten är placerad på enhetens undersida eller baksida.
18. Den här enheten är inte avsedd för att användas av personer (inklusive barn) med fysiska, sensoriska eller psykiska funktionshinder eller brist på erfarenhet och kunskap såvida de inte är under övervakning av eller har fått instruktioner om korrekt användning av enheten av den person som ansvarar för deras säkerhet.
19. Den här produkten är endast avsedd för icke-professionell användning och inte för kommersiellt eller industriellt bruk.

20. Se till att enheten är justerad till en stabil position. Skador orsakade av att använda den här produkten i ett instabilt läge med vibrationer eller stötar eller av att inte följa någon annan varning eller försiktighetsåtgärd i denna användarmanual täcks inte av garantin.
21. Ta aldrig bort enhetens hölje.
22. Placera aldrig enheten på annan elektrisk utrustning.
23. Låt inte barn ha tillgång till plastpåsar.
24. Använd endast tillbehör som anges av tillverkaren.
25. Överlåt all service till kvalificerad servicepersonal. Service krävs när enheten har skadats på något sätt, exempelvis på strömkabeln eller strömkontakten, när vätska har spillts eller föremål fallit in i den, när den har utsatts för regn eller fukt och inte fungerar normalt eller har tappats.
26. Lång exponering för höga ljud från musikspelare kan leda till tillfällig eller permanent hörselnedsättning.
27. Om produkten levereras med strömkabel eller nätadapter:
 - Dra ur strömkabeln och kontakta behörig personal för service om ett problem uppstår.
 - Trampa inte på nätadaptern och kläm den inte. Var mycket försiktig och då särskilt nära kontakter och kabelns uttag. Tunga föremål får inte placeras på nätadaptern då detta kan medföra att den skadas. Håll hela enheten utom räckhåll för barn! Om de leker med strömkabeln kan det orsaka allvarliga personskador.
 - Koppla ur enheten vid åskväder eller om den inte används under en längre tidsperiod.
 - Eluttaget måste vara placerat nära utrustningen och vara lättillgängligt.
 - Eluttaget och förlängningskablar får inte överbelastas. Överbelastning kan orsaka brand eller medföra elektriska stötar.
 - Enheter med konstruktion klass 1 ska anslutas till ett jordat eluttag.
 - Enheter med klass 2-konstruktion kräver ingen jordad anslutning.
 - Håll alltid i kontakten när du drar ut den ur vägguttaget. Dra inte i strömkabeln. Detta kan orsaka en kortslutning.
 - En skadad strömkabel, kontakt eller ett löst eluttag får inte användas. Om detta inte iakttas kan det orsaka brand eller medföra elektriska stötar.
28. Om produkten innehåller eller levereras med en fjärrkontroll som innehåller mynt/cellbatterier:

Varning:

 - "Svälj inte batterier då kemiska brännskador" eller motsvarande kan uppstå.
 - [Den medföljande fjärrkontrollen] Denna produkt innehåller ett knappcells batteri. Om batteriet sväljs kan det orsaka allvarliga inre brännskador på bara två timmar och vara livshotande.
 - Håll nya och förbrukade batterier utom räckhåll för barn.
 - Sluta använda produkten om batterifacket inte går att stänga ordentligt, och håll den utom räckhåll för barn.
 - Om du tror att batterier har förtärts eller finns inuti någon del av kroppen måste du omedelbart söka läkarvård.
29. Varning om användning av batterier:
 - Explosionsrisk om batteriet byts ut på ett felaktigt sätt. Batteriet måste bytas mot samma eller en likvärdig typ.
 - Batteriet får inte utsättas för extremt höga eller låga temperaturer samt lågt lufttryck vid hög höjd, vid användning, förvaring eller transport.
 - Byte av ett batteri mot en felaktig typ kan medföra explosion eller läckage av brandfarlig vätska och/eller gas.
 - Avfallshantering av ett batteri på en öppen eld, i en varm ugn, mekanisk krossning eller kapning kan medföra explosion.
 - Batteriet får inte lämnas i en miljö med extremt hög temperatur då detta kan medföra explosion eller läckage av brandfarlig vätska och/eller gas.
 - Batteriet får inte utsättas för extremt lågt lufttryck, då detta kan medföra explosion eller läckage av brandfarlig vätska och/eller gas.
 - Miljöaspekter måste iakttas vid avfallshantering av batterier.

MONTERING

- Packa upp alla delar och ta bort skyddsmaterialet.
- Anslut inte enheten till elnätet innan du kontrollerar nätspänningen och att alla andra anslutningar har gjorts.

* Dessa anvisningar gäller endast för produkter som använder strömkabel eller strömadapter.

Information om nätadaptern

Nätadapter

- Tillverkare: Shenzhen Andsmips Electronic Technology Co., Ltd
- Modellnummer: AS013W-1201000ZC
- Typ av adapter: extern AC-adapter
- Använd endast den strömförsörjning som anges i bruksanvisningen

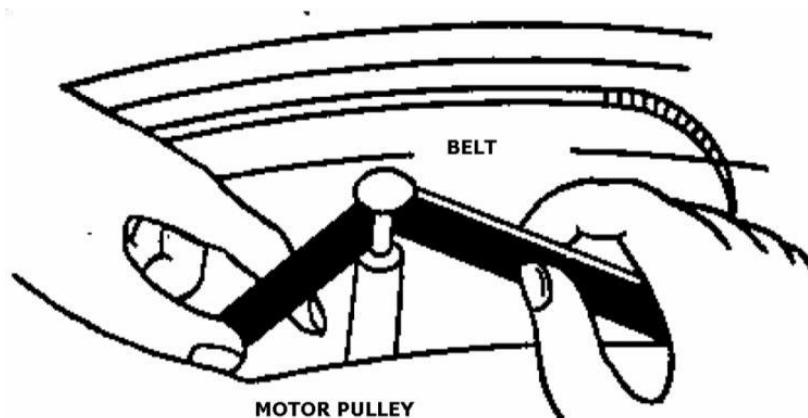
Information	Värde och precision
Tillverkarens namn eller varumärke, kommersiellt registreringsnummer och adress	- Andsmips Electronic Technology Co., Ltd 201, No 18 Munfu Road, Sha Tou Industrial Park, Sha Tou Community, Sha Jing Street, Baoan District, Shenzhen City, Guangdong Kina
Modellmärkning	- AS013W-1201000ZC
Matningsspänning	AC 100–240 V
Inspänningens frekvens	50/60 H
Utspänning	12 V
Utström	1,0 A
Uteffekt	12 W
Genomsnittlig verkningsgrad i aktivt läge	82,96%
Effektförbrukning vid låg belastning (10 %)	79,95%
Effektförbrukning utan belastning	≤ 0,075 W

Montering

Drivrem:

Drivremmen och skivtallriken har monterats på fabriken men drivremmen kan lossna under transport. Om så är fallet ska följande förfaranden vidtas av dig för att montera tillbaka drivremmen.

- A. Ta bort gummimattan från skivtallriken och E-ringen från tallrikens axel. Frigör sedan skivtallriken från axeln
- B. Placera drivremmen på den inre kanten av skivtallriken och för den genom hålet
- C. Håll drivremmen med fingrarna och placera den på motorns remskiva, enligt bilden.



EN	SE
BELT	REM
MOTOR PULLEY	MOTORNES REMSKIVA

- D. Kläm fast E-ringen på axeln och placera gummimattan på skivtallriken.

Försiktighet:

1. Se till att drivremmen inte har snurrats runt eller är snedvriden.
2. Undvik olja. Stänk från olja gör drivremmen hal.

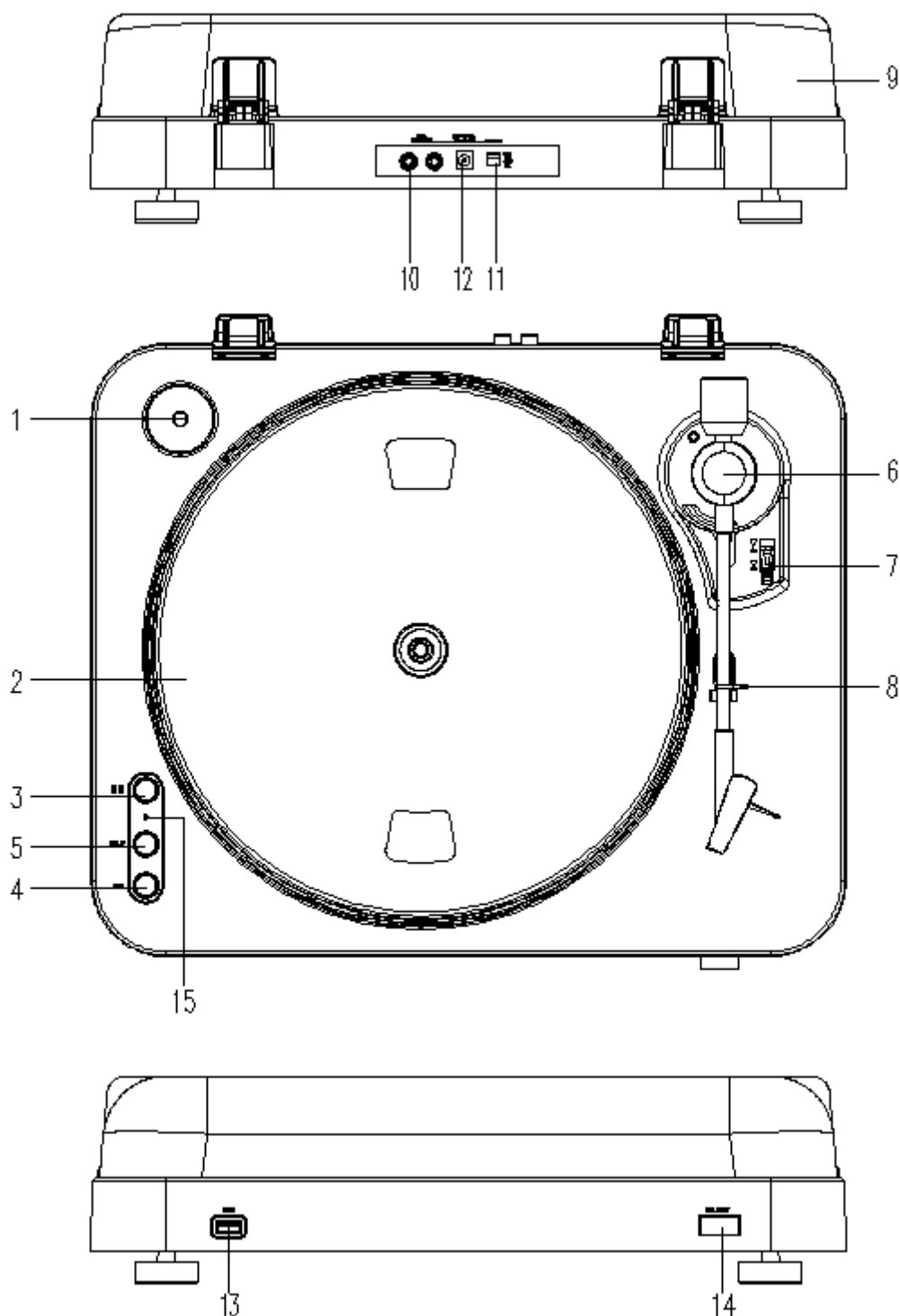
Återställa automatisk återgång:

Utför alltid en återställning av den automatiska återgången när den här produkten flyttas.

Mekanismen för den automatiska återgången roterar oregelbundet när produkten flyttas och det gör att den inte fungerar korrekt. Följande steg återställer mekanismen till sitt ursprungsläge.

1. Placera en skiva på skivtallriken och spela upp den.
2. Lyft manuellt upp tonarmen och placera den på den tomma delen vid slutet av skivan.
3. Mekanismen för den automatiska återgången justeras och tonarmen återgår automatiskt till tonarmsstödet.

Beskrivning



1. Adapter:

Använd den här adaptern för att spela upp skivor med 45 rpm.

2. Skivtallrik: placera en skiva här för att spela upp den.

3. Reglage för 33/45 rpm:

Växla mellan 33 och 45 rpm för att spela upp en skiva med rätt hastighet.

4. SPELA IN:

Tryck på den för att aktivera inspelningsläget.

Obs! Du kan inte spela in medan skivspelaren sänder ljud via Bluetooth.

5. DELA/PARKOPPLA (BLUETOOTH)

Dela: Den här funktionen stoppar den aktuella inspelningen, låter dig skapa en inspelningsfil manuellt och fortsätter sedan att spela in nästa spår.

Parkoppla: Tryck på och håll den här knappen nedtryckt till LED-indikatorn börjar blinka blått. Aktivera sedan parkopplingsläget för högtalaren eller hörlurarna med Bluetooth. Skivspelaren ansluter sedan automatiskt till högtalaren eller hörlurarna med Bluetooth och LED-indikatorn lyser fast blått för att indikera att anslutningen är slutförd. Trådlös musikuppspelning kan nu påbörjas. Du kan börja streama musik trådlöst!

Tryck på och håll den här knappen nedtryckt till LED-indikatorn börjar blinka blått och Bluetooth är bortkopplad.

Anmärkning: När du försöker parkoppla med skivspelaren rekommenderas att du inaktiverar Bluetooth på de produkter inom 10 meter som du inte vill parkoppla med.

Anmärkning: Bluetooth-utmatning och USB-inspelning kan inte användas samtidigt

6. Tonarmsstöd

7. Tonarmsspak:

Används för att lyfta upp eller sänka ned tonarmen och lägga an den på en lämplig plats på skivan.

8. Tonarmslås:

Används för att låsa fast tonarmen när den inte används eller för transport.

9. Dammkåpa:

Används för att skydda skivspelaren från att utsättas för damm. Kåpan kan öppnas eller tas bort under användning. Den bör dock förbli stängt medan skivspelaren inte används.

10. Kabel för RCA-linje ut

Anslut RCA-utgången till en mixer eller en förstärkare i ett ljudsystem.

11. Strömbrytare:

Den här brytaren slår på eller stänger av strömmen. Stäng av enheten när du har slutat spela upp musik för att spara ström.

12. Strömadapter

Anslut den här adaptern till ett eluttag med korrekt spänning.

13. USB-portingång:

Anslut ett USB-minne för att spela in musik från en skiva.

* Den är endast designad för ett USB-minne. Använd alltid den externa nätadaptern om du använder en hårddisk för att garantera att strömförsörjningen är tillräcklig och kretsen (IC) inte överhettas.

14. Avvisa

Tryck på den för att tvinga armen till att återgå direkt till tonarmsstödet

15. LED

- USB-inspelning och LED-signalindikering
- USB-minnet är inte anslutet. -> LED-indikatorn är släckt
- USB-minnet är anslutet -> LED-indikatorn blinkar
- När systemet är redo att spela in. -> LED-indikatorn lyser

- Tryck på knappen SPELA IN för att starta inspelningen. -> LED-indikatorn blinkar långsamt.
- Tryck på knappen DELA för att skapa en ny fil i inspelningen.
- Tryck på knappen SPELA IN igen för att stoppa inspelningen. -> LED-indikatorn blinkar en kort stund och lyser sedan fast.

Obs! Ta inte bort USB-minnet medan LED-indikatorn blinkar.

Nätanslutning

Se till att nätspänningen i hemmet motsvarar enhetens driftspänning. Enheten är redo att anslutas till en korrekt spänning.

Förstärkaranslutning

Anslut kabeln för RCA-linje ut (10) till AUX-ingången på förstärkaren:

- Röd kontakt i H-kanalingången.
 - Vit kontakt i V-kanalingången.
 - Placera valfri skiva på skivspelaren. Glöm inte att placera adaptern (1) på skivspindeln om skivan ska spelas upp med 45 rpm.
 - Välj önskad uppspelningshastighet:
33 rpm -> knappen uppsläppt
45 rpm-> knappen nedtryckt.
 - Frigör tonarmslåset.
 - Placera pickupen vertikalt över det första spåret på skivan och skivtallriken börjar rotera.
 - När skivan är slut återgår tonarmen till sin vagga och skivtallriken slutar rotera
- Se till att tonarmsspaken är i sitt nedre läge. Stäng tonarmslåset för att säkra tonarmen.

Teknisk specifikation

Nätadapter: 100–240 VAC, 60/50 Hz

Energiförbrukning: 12 W

Wow och flutter (förvrängning): 0,3%

Förvrängning: 3–4%

S/N: 50 dB

Utgångsspänning för ljud: 500 mV ± 200 mV

*** VIKTIGA REKOMMENDATIONER**

Vi rekommenderar att skivor rengörs med en trasa och en antistatisk produkt för att maximera upplevelsen med dina skivor och även för att få dem att vara.

Vi vill även påpeka att av samma orsak ska nålen bytas med jämna mellanrum (cirka varje 250 timmar).

Damma av nålen med jämna mellanrum med en mjuk borste doppad i alkohol (borsta bakifrån och framåt på pickupen).

1. Garanti

Commaxx B.V. erbjuder service och garanti i enlighet med europeisk lagstiftning, vilket innebär att du vid fall av reparationer (både under och efter garantins giltighetsperiod) ska kontakta din lokala återförsäljare.

Viktig information: Det går inte att skicka produkter som behöver repareras direkt till Commaxx B.V.

Viktig information: Om enheten öppnas eller på något sätt tillgängliggörs av ett icke-officiellt servicecenter, upphör garantin att gälla.

Enheten är inte lämplig för professionellt bruk. Vid yrkesmässig användning, upphör tillverkarens samtliga garantier att gälla.

2. Friskrivningsklausul

Uppdateringar av inbyggd programvara och/eller hårdvarukomponenter görs regelbundet. Därmed kan vissa anvisningar, specifikationer och bilder i den här dokumentationen skilja sig något från din särskilda situation. Alla föremål som beskrivs i den här handledningen är endast för illustrationssyfte och kan inte tillämpas på någon speciell situation. Inga juridiska rättigheter eller anspråk kan erhållas från beskrivningen i den här bruksanvisningen.

3. Bortskaffande av gammal enhet



Den här symbolen anger att den relevanta elektriska produkten eller batteriet inte ska kasseras med det allmänna hushållsavfallet i Europa. När den korrekta avfallsbehandlingen för produkten och batteriet ska säkerställas, ska elektrisk utrustning eller batterier kasseras i enlighet med varje krav på tillämplig lokal lagstiftning. Genom detta handlande bidrar du till att återvinna naturresurser och förbättra normer för miljöskydd och kassering av elektrisk avfall (elektrisk och elektronisk utrustning).

4. FÖRSÄKRAN OM ÖVERENSSTÄMMELSE

Härmed intygar Commaxx att radioutrustningstypen [Lenco LBT-120] överensstämmer med direktiv 2014/53/EU. Den fullständiga texten gällande EU-försäkran om överensstämmelse finns på följande internetadress:

https://commaxx-certificates.com/doc/lbt-120_doc.pdf

Typ av RF	Frekvensområde (MHz)	Effekt (dBm)
Bluetooth	2402-2480	< 6

5. SERVICE

Besök support.lenco.com för mer information och support

Commaxx B.V. Wiebachstraat 37, 6466 NG Kerkrade, The Netherlands.