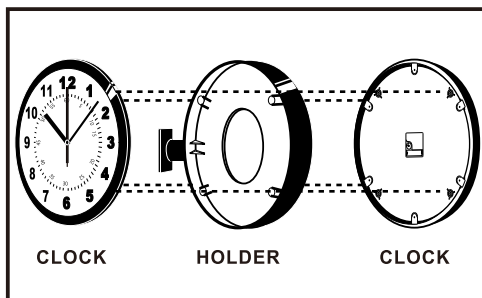


145 mm

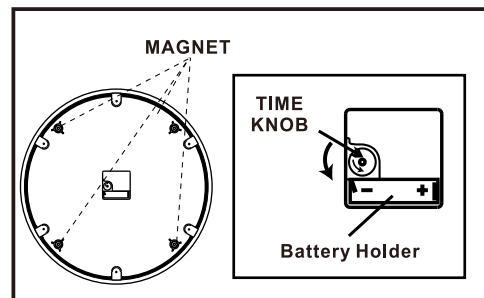
INSTRUCTION

A. HOW TO SET UP THE TIME

1. REMOVE THE 2PCS CLOCKS FROM THE HOLDER.
2. INSERT 1PC AA BATTERY INTO THE BATTERY HOLDER, TO EACH CLOCK.
3. USE THE TIME KNOB TO ADJUST THE TIME AS YOU WANT.
4. PUT BACK THE CLOCK WITH THE MAGNETS.
5. PLEASE KINDLY REMOVE THE BATTERY, IF LONG TIME NO USE THE CLOCK.



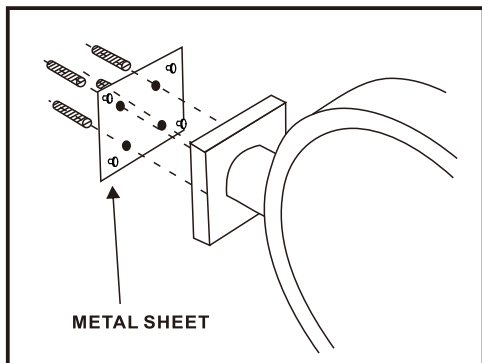
A1



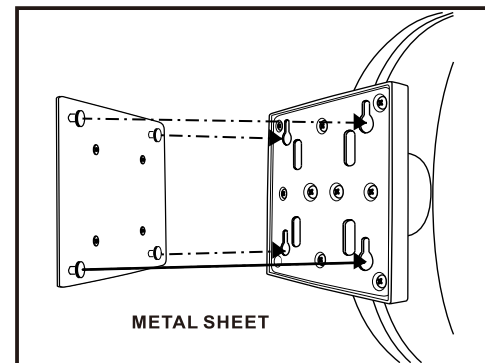
A2

B. HOW TO HANG ON THE WALL

1. USING THE METAL SHEET TO MARK THE 4 DOTS ON THE WALL.
2. DRILL FOUR 1/4 INCH HOLES ON THE MARKED DOTS.
3. FIT THE ENCLOSED WALL PLUG INTO THE HOLES.
4. SCREW THE METAL SHEET ON THE WALL USE THE PROVIDED DRYWALL SCREW.
5. FINALLY ATTACHED THE CLOCK CASE.



B1



B2

**REMARK : THE CLOCK IS USED INDOOR,
NOT SUITABLE FOR OUTDOOR USE.**

Made In China

210 mm