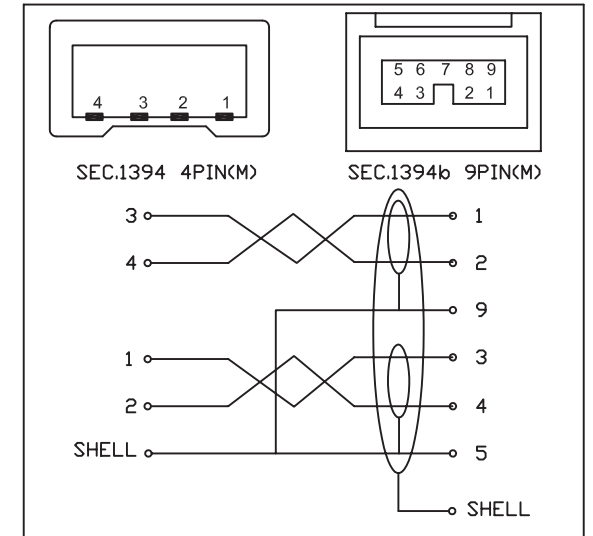
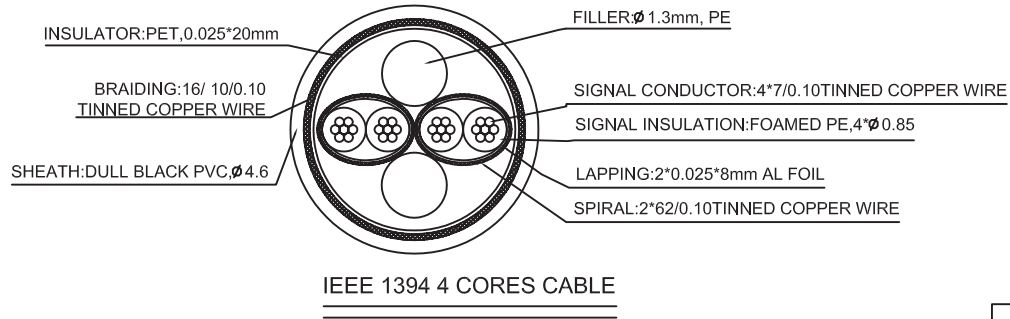
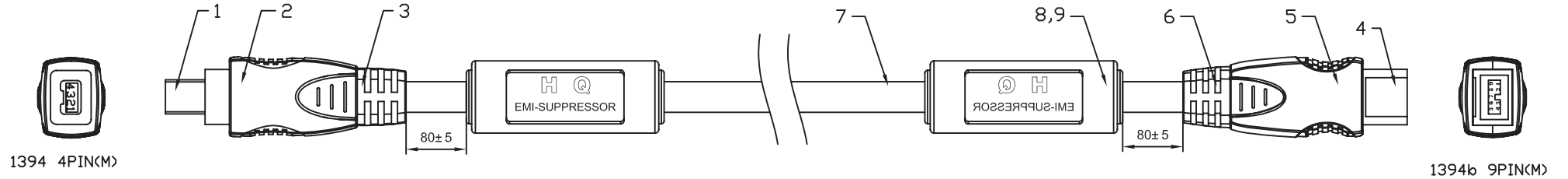


NEDIS
MODEL:HQSS6274/1.5/2.5/5



LENGTH(mm)
1500 ± 30
2500 ± 40
5000 ± 50

9	FERRITE CORE PVC MOLDED	2PC	PVC 95P
8	FERRITE CORE JDK7*9.5*5.3R1K	6PC	
7	IEEE 1394 4CORES CABLE	1PC	
6	IEEE 1394 9PIN(P)PVC MOLDED	1PC	PVC 60P
5	IEEE 1394 9PIN(P)METAL SHELL	1SET	ZN ALLOY 3#,PEARL-PLATED
4	IEEE1394 9PIN(P)CONNECTOR	1PC	(BETA),GOLD-PLATED
3	IEEE1394 4PIN(P)PVC MOLDED	1PC	PVC 60P
2	IEEE1394 4PIN(P)METAL SHELL	1SET	ZN ALLOY 3#,PEARL-PLATED
1	IEEE 1394 4PIN(P)CONNECTOR	1PC	GOLD-PLATED
ITEM.	DESCRIPTION	QTY.	MATERIAL & REMARK