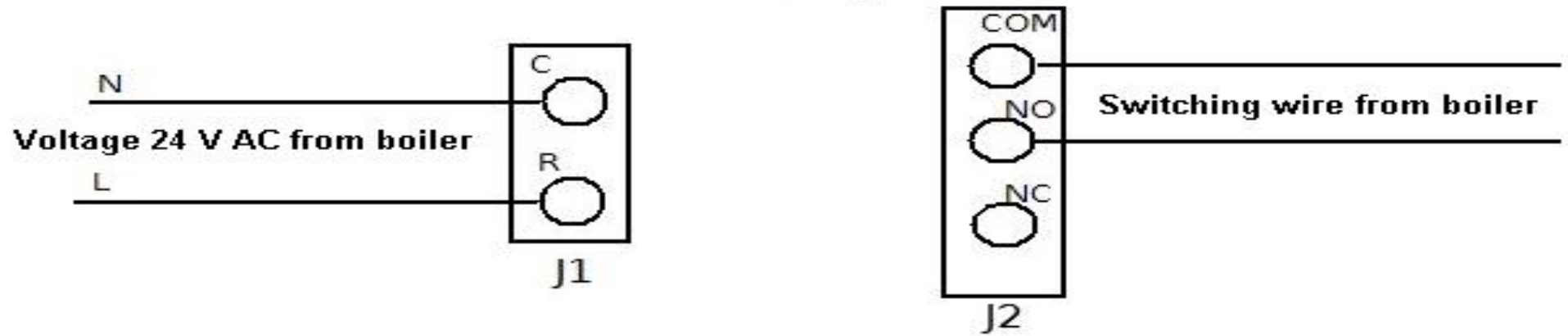
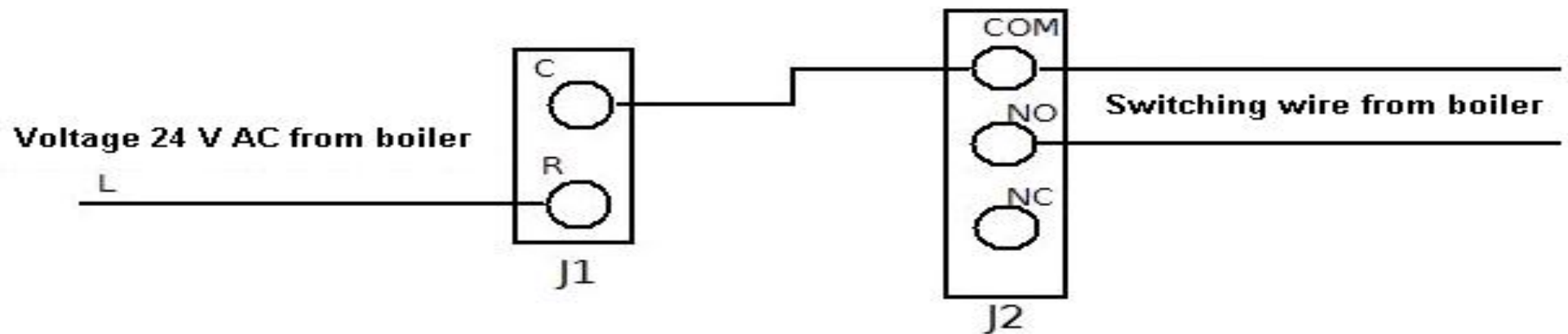


# HQ-TH12

## Possibility 1



## Possibility 2



**\* Always read your boilers manual to find out if one of these schemes is possible and to figure out which wire has to be transferred.**