

## EW-7833AXP

# Guide d'installation rapide

12-2019 / v1.0

### **Edimax Technology Co., Ltd.**

No. 278, Xinhua 1st Rd., Neihu Dist., Taipei City, Taiwan

Email: [support@edimax.com.tw](mailto:support@edimax.com.tw)

---

### **Edimax Technology Europe B.V.**

Fijenhof 2, 5652 AE Eindhoven, The Netherlands

Email: [support@edimax.nl](mailto:support@edimax.nl)

---

### **Edimax Computer Company**

3444 De La Cruz Blvd., Santa Clara, CA 95054, USA

Email: [support@edimax.com](mailto:support@edimax.com)

# ***Table des matières***

---

|   |                 |
|---|-----------------|
| <b><i>I. Informations sur le produit.....</i></b> | <b><i>1</i></b> |
| I-1. Contenu de l'emballage.....                  | 2               |
| I-2. Prérequis système.....                       | 2               |
| I-3. Vue d'ensemble du matériel .....             | 3               |
| <b><i>II. Installation Matérielle .....</i></b>   | <b><i>4</i></b> |
| <b><i>III. Installer le pilote .....</i></b>      | <b><i>7</i></b> |
| III-1. Installation du pilote .....               | 7               |
| III-2. Désinstaller le pilote .....               | 8               |

## I. Informations sur le produit

---

Le modèle EW-7833AXP avec technologie MU-MIMO et Bluetooth 5.0 permet une connexion Wi-Fi haut débit pour la maison, le bureau, les jeux, le streaming HD et toutes les autres activités très demandeuses en bande passante, le tout simultanément.

De plus, le modèle EW-7833AXP offre aux utilisateurs, grâce à son antenne bi-bande externe amovible, des connexions stables et une meilleure couverture.

Tous les documents supports sont accessibles grâce au lien ci-dessous ou au code QR :

<https://www.edimax.com/download>



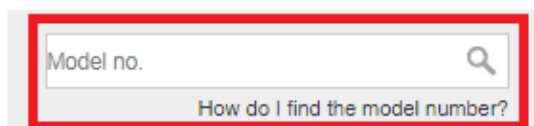
(Après avoir consulté le site Internet officiel de Edimax, saisissez le numéro de modèle "EW-7833AXP" dans la barre de recherche pour trouver votre produit).

### Download

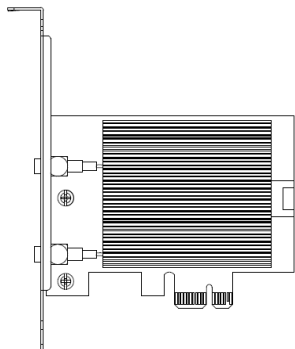
---

To select your product and find related download materials, enter the model number into the search box on the right side or follow the simple steps below:

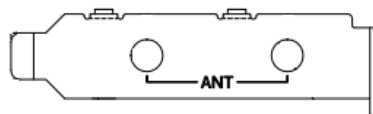
\*Feel free to contact us anytime if you need help or if you can't find your product.

A screenshot of a search bar on a website. The search bar is a white rectangular box with a red border. Inside the box, the text "Model no." is visible on the left, and a magnifying glass icon is on the right. Below the search bar, the text "How do I find the model number?" is displayed in a smaller font.

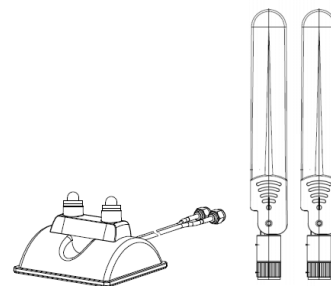
## I-1. Contenu de l'emballage



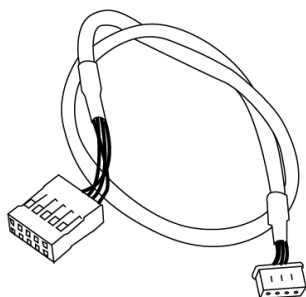
**EW-7833AXP**



**Fixation surbaissée**



**Antenne externe  
(avec socle)**



**Barrette USB Bluetooth  
Câble de raccordement  
(9 broches vers 4 broches)**

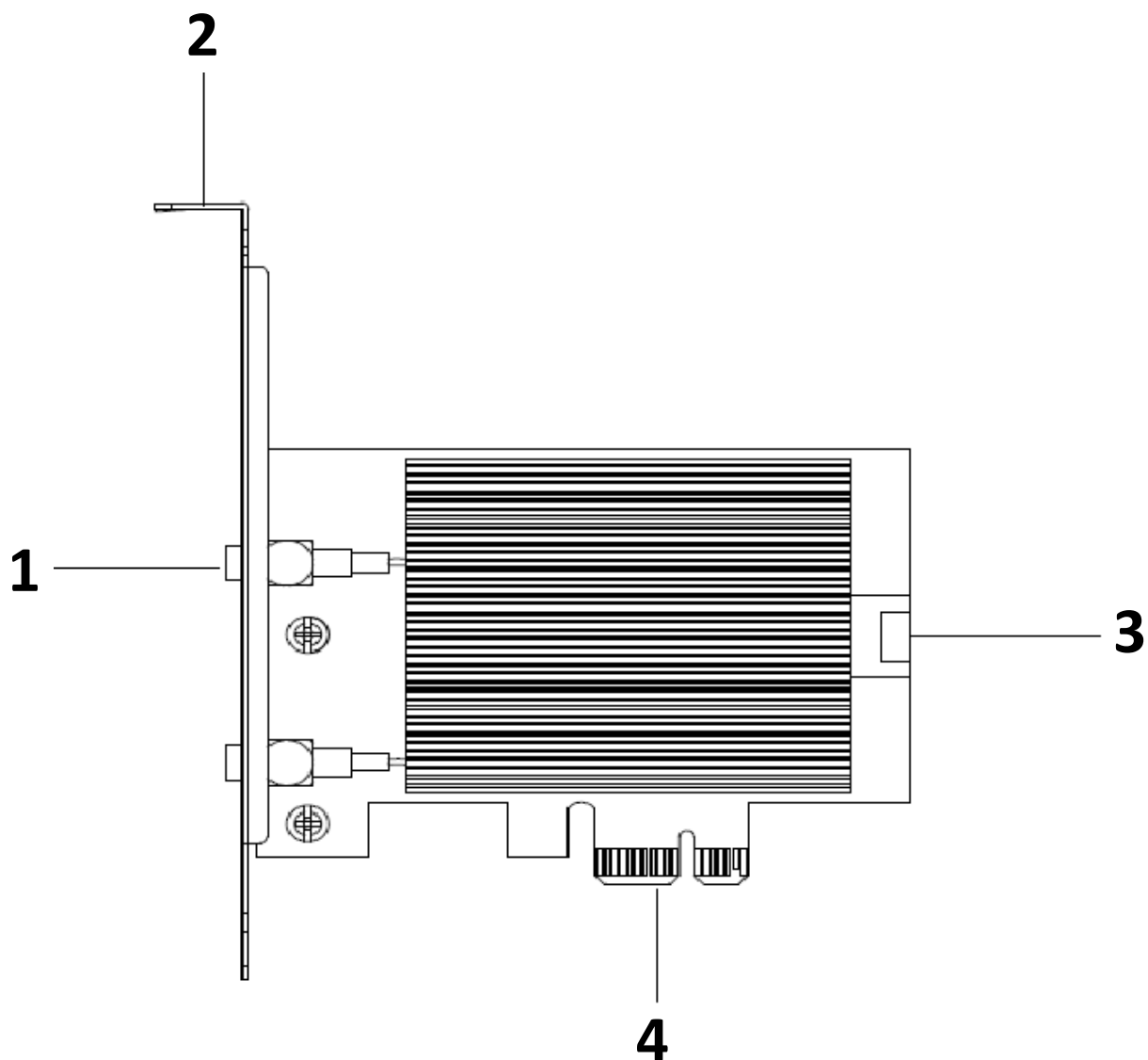


**GIR**

## I-2. Prérequis système

- Win10
- Linux

### I-3. Vue d'ensemble du matériel



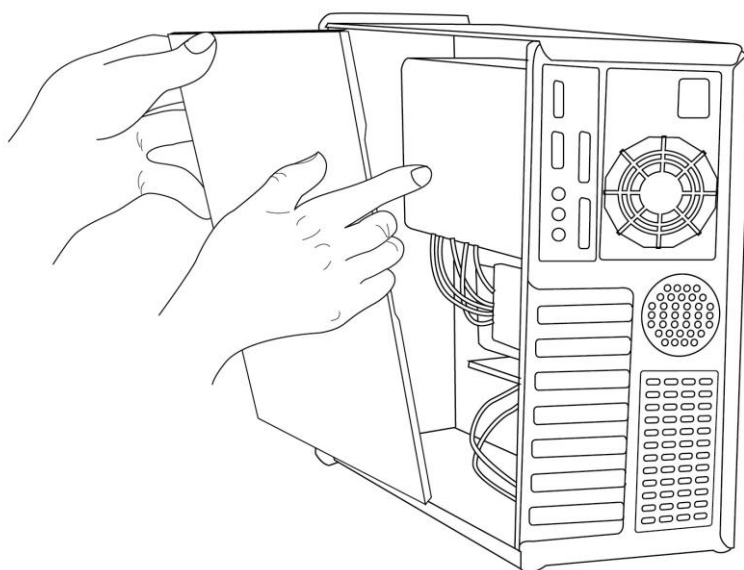
| N° | Descriptif            |
|----|-----------------------|
| 1  | Prise d'antenne Wi-Fi |
| 2  | Fixation              |
| 3  | Port Bluetooth        |
| 4  | PCI-E (X1/X4)         |

## **II. Installation Matérielle**

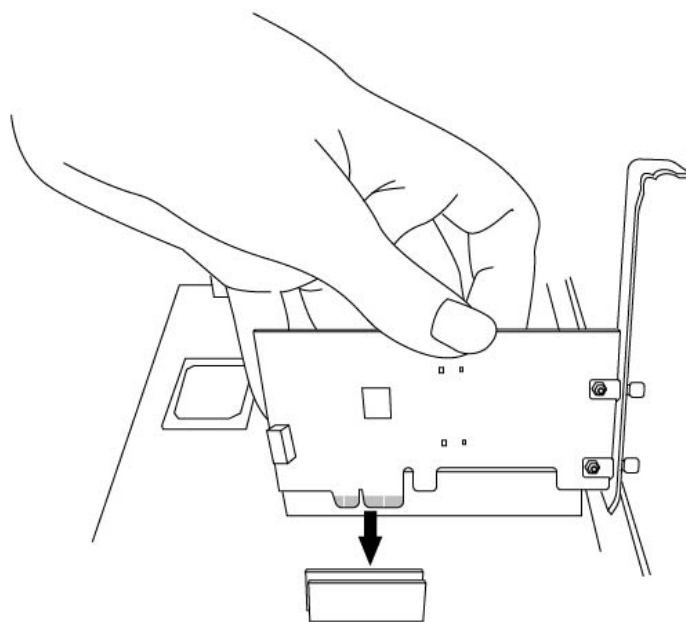
---

Veillez à suivre les instructions ci-dessous pour installer l'adaptateur réseau dans votre PC,

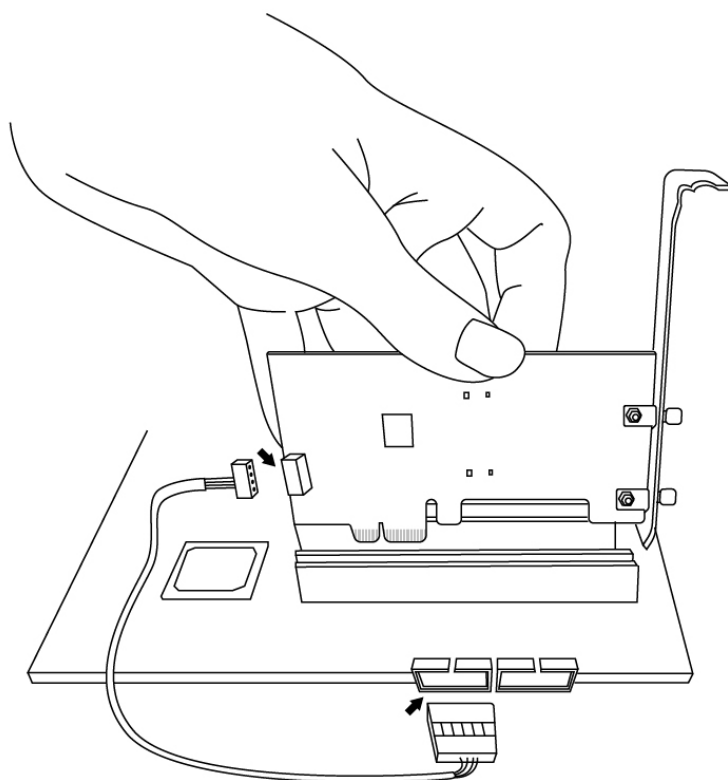
1. Éteignez le PC et débranchez-le.
2. Retirez la panneau latéral de l'ordinateur en le dévissant et repérez un logement PCI-E vide.



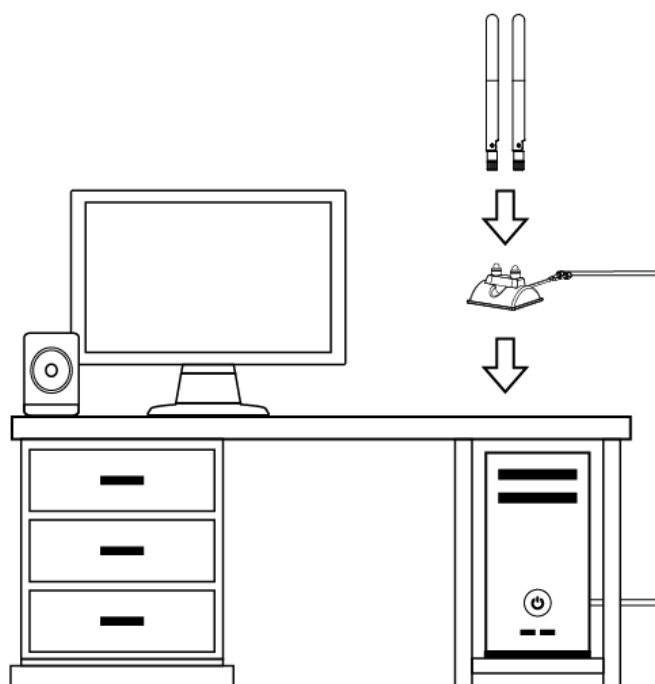
3. Installez la carte en l'enfonçant fermement dans le logement,



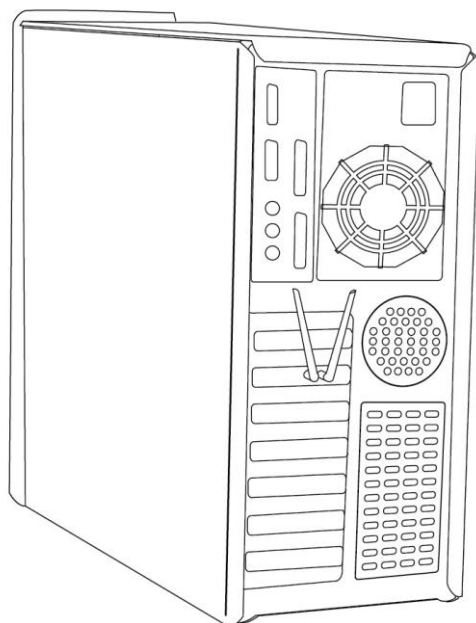
4. Pour activer la fonction Bluetooth, raccordez l'adaptateur réseau à la carte mère à l'aide du câble de raccordement de la barrette USB Bluetooth.



5. Raccordez le socle magnétique de l'antenne externe.



## 6. Refixez le panneau latéral et rebranchez le câble électrique





## III. Installer le pilote

---

Veillez suivre les instructions ci-dessous pour installer et désinstaller le pilote.

### III-1. Installation du pilote

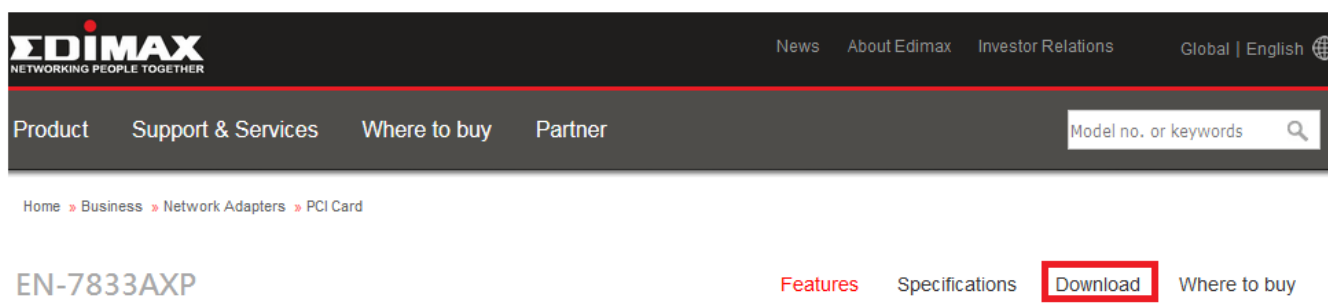
Le pilote Wi-Fi et Bluetooth est accessible grâce au lien ci-dessous ou au code QR :

<https://www.edimax.com/download>







(Après avoir consulté le site Internet officiel de Edimax, saisissez le numéro de modèle "EW-7833AXP" dans la barre de recherche pour trouver votre produit).

Cliquez sur le bouton Télécharger pour accéder à la page de téléchargement :



The screenshot shows the Edimax website interface. At the top, there is a navigation bar with links for News, About Edimax, Investor Relations, and Global | English. Below this is a secondary navigation bar with links for Product, Support & Services, Where to buy, and Partner. A search bar is located on the right side of this bar. The main content area displays the product name "EN-7833AXP" and a breadcrumb trail: Home > Business > Network Adapters > PCI Card. Below the product name, there are links for Features, Specifications, Download (highlighted with a red box), and Where to buy.

#### Driver

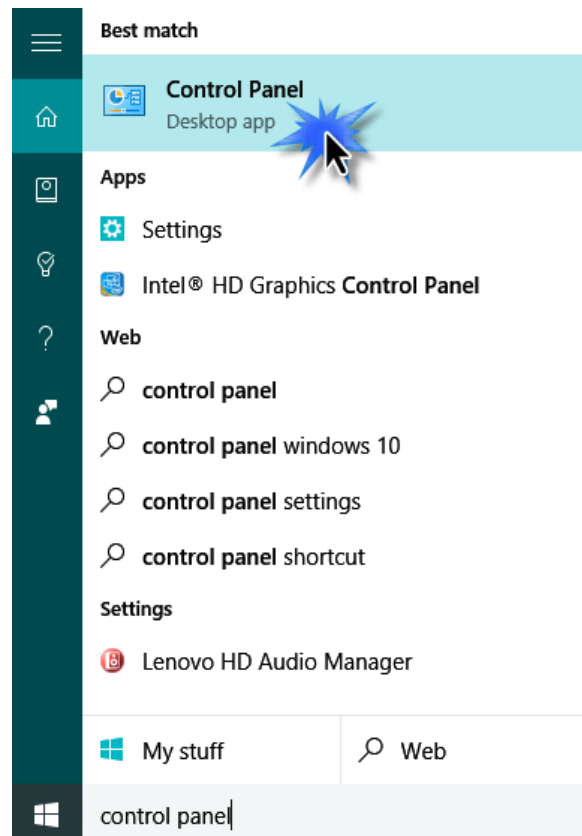
| Version ^ | Note  | Date       | File Type | File Size |   |
|-----------|---|------------|-----------|-----------|---|
| 0.3.6.15  | Linux_Driver_0.3.6.15<br>Support kernel : 2.6.32 ~ 4.14 | 2017-12-28 | ZIP       | 332.60 KB |  |
| 1.0.2     | Support VMwareESXi 6.0 & 6.5                            | 2018-04-11 | ZIP       | 537.42 KB |  |
| 1.0.0.2   | Support OS:MAC 10.12<br>Languages:English               | 2017-11-16 | ZIP       | 541.29 KB |  |
| 1.0.0.2   | Support OS:Windows 7/8/8.1/10<br>Languages:English      | 2017-09-29 | ZIP       | 6.28 MB   |  |

▲ Top

## III-2. Désinstaller le pilote

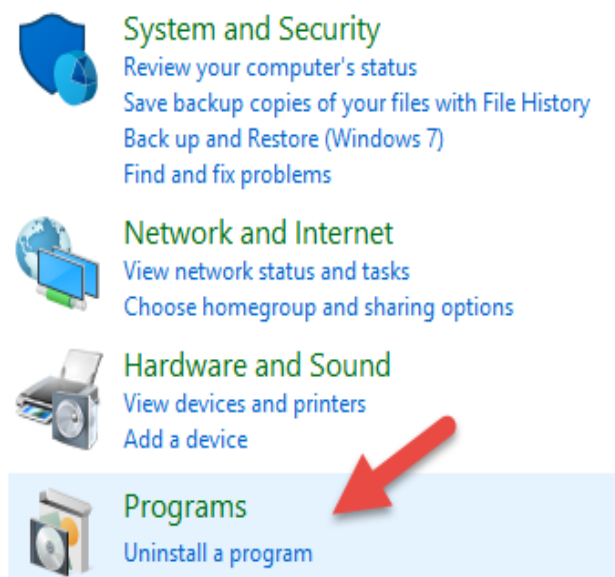
Pour Windows 10:

1. Ouvrez le panneau de configuration depuis le menu Démarrer ou la fonction Recherche.

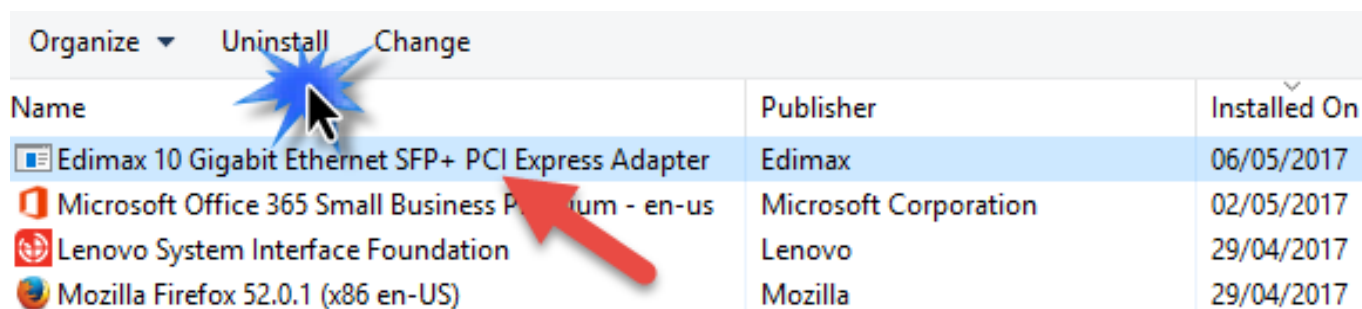


2. Sélectionnez "Désinstaller un programme" dans la catégorie Programmes.

Adjust your computer's settings



### 3. Sélectionnez Edimax (ou son équivalent) et cliquez sur "Désinstaller")



| Name  | Publisher             | Installed On |
|---|-----------------------|--------------|
| Edimax 10 Gigabit Ethernet SFP+ PCI Express Adapter | Edimax                | 06/05/2017   |
| Microsoft Office 365 Small Business P... - en-us    | Microsoft Corporation | 02/05/2017   |
| Lenovo System Interface Foundation                  | Lenovo                | 29/04/2017   |
| Mozilla Firefox 52.0.1 (x86 en-US)                  | Mozilla               | 29/04/2017   |

## COPYRIGHT

Copyright © Edimax Technology Co., Ltd. all rights reserved. No part of this publication may be reproduced, transmitted, transcribed, stored in a retrieval system, or translated into any language or computer language, in any form or by any means, electronic, mechanical, magnetic, optical, chemical, manual or otherwise, without the prior written permission from Edimax Technology Co., Ltd.

Edimax Technology Co., Ltd. makes no representations or warranties, either expressed or implied, with respect to the contents hereof and specifically disclaims any warranties, merchantability, or fitness for any particular purpose. Any software described in this manual is sold or licensed as is. Should the programs prove defective following their purchase, the buyer (and not this company, its distributor, or its dealer) assumes the entire cost of all necessary servicing, repair, and any incidental or consequential damages resulting from any defect in the software. Edimax Technology Co., Ltd. reserves the right to revise this publication and to make changes from time to time in the contents hereof without the obligation to notify any person of such revision or changes.

The product you have purchased and the setup screen may appear slightly different from those shown in this QIG. The software and specifications are subject to change without notice. Please visit our website [www.edimax.com](http://www.edimax.com) for updates. All brand and product names mentioned in this manual are trademarks and/or registered trademarks of their respective holders.

|   |    |    |    |    |    |    |    |
|---|----|----|----|----|----|----|----|
|  | AT | BE | BG | HR | CY | CZ | DK |
|   | EE | FI | FR | DE | EL | HU | IE |
|   | IT | LV | LT | LU | MT | NL | PL |
|   | PT | RO | SK | SI | ES | SE | UK |

The device is restricted to indoor use only when operating in the 5150 to 5350 MHz frequency range.

## ***Federal Communication Commission Interference Statement***

This equipment has been tested and found to comply with the limits for a Class B digital device, pursuant to Part 15 of FCC Rules. These limits are designed to provide reasonable protection against harmful interference in a residential installation. This equipment generates, uses, and can radiate radio frequency energy and, if not installed and used in accordance with the instructions, may cause harmful interference to radio communications. However, there is no guarantee that interference will not occur in a particular installation. If this equipment does cause harmful interference to radio or television reception, which can be determined by turning the equipment off and on, the user is encouraged to try to correct the interference by one or more of the following measures:

1. Reorient or relocate the receiving antenna.
2. Increase the separation between the equipment and receiver.
3. Connect the equipment into an outlet on a circuit different from that to which the receiver is connected.
4. Consult the dealer or an experienced radio technician for help.

### **FCC Caution**

This device and its antenna must not be co-located or operating in conjunction with any other antenna or transmitter. This device complies with Part 15 of the FCC Rules. Operation is subject to the following two conditions:

- (1) this device may not cause harmful interference, and
  - (2) this device must accept any interference received, including interference that may cause undesired operation.
- Any changes or modifications not expressly approved by the party responsible for compliance could void the authority to operate equipment.

This device is restricted to ***indoor*** use.

### **Federal Communication Commission (FCC) Radiation Exposure Statement**

This equipment complies with FCC radiation exposure limits set forth for an uncontrolled environment. This equipment should be installed and operated with minimum distance 20cm between the radiator & your body.

For product available in the USA/Canada market, only channel 1~11 can be operated. Selection of other channels is not possible.

## **Canada, Innovation, Science and Economic Development Canada (ISED) Notices**

This device contains licence-exempt transmitter(s)/receiver(s) that comply with Innovation, Science and Economic Development Canada's licence-exempt RSS(s). Operation is subject to the following two conditions:

- (1) This device may not cause interference.
- (2) This device must accept any interference, including interference that may cause undesired operation of the device.

## **Avis du Canada, Innovation, Sciences et Développement économique Canada (ISED)**

L'émetteur/récepteur exempt de licence contenu dans le présent appareil est conforme aux CNR d'Innovation, Sciences et Développement économique Canada applicables aux appareils radio exempts de licence. L'exploitation est autorisée aux deux conditions suivantes :

- (1) L'appareil ne doit pas produire de brouillage;
- (2) L'appareil doit accepter tout brouillage radioélectrique subi, même si le brouillage est susceptible d'en compromettre le fonctionnement.

Users should also be advised that high-power radars are allocated as primary users (i.e. priority users) of the bands 5250-5350 MHz and 5650-5850 MHz and that these radars could cause interference and/or damage to LE-LAN devices.

Devraient également être informés les utilisateurs que les radars à haute puissance sont désignés comme utilisateurs principaux (c.-à-d. utilisateurs prioritaires) des bandes 5250-5350 MHz et 5650-5850 MHz et que ces radars pourraient provoquer des interférences et / ou endommager les appareils LE-LAN.

The device for operation in the band 5150–5250 MHz is only for indoor use to reduce the potential for harmful interference to co-channel mobile satellite systems.

Le dispositif de fonctionnement dans la bande 5150-5250 MHz est uniquement pour une utilisation à l'intérieur de l'intérieur afin de réduire le potentiel d'interférences nuisibles aux systèmes de satellites mobiles co-canaux.

## **RED Compliance Statement**

### **Compliance with 2014/53/EU Radio Equipment Directive (RED)**

In accordance with Article 10.8(a) and 10.8(b) of the RED, the following table provides information on the frequency bands used and the maximum RF transmit power of the product for sale in the EU:

| Frequency range (MHz) | Max. Transmit Power (dBm) |
|-----------------------|---------------------------|
| 2402-2480 (BT+BLE)    | 14.11                     |
| 2412-2472 (Wi-Fi)     | 19.88                     |
| 5180-5320             | 20.78                     |
| 5500-5700             | 21.76                     |

A simplified DoC shall be provided as follows: Article 10(9)

Hereby, Edimax Technology Co., Ltd. declares that the radio equipment type **AX3000 Dual band PCI-E Network Adapter** is in compliance with Directive 2014/53/EU

The full text of the EU declaration of conformity is available at the following internet address: <http://www.edimax.com/edimax/global/>

This device meets the EU RED requirements on the limitation of exposure of the general public to electromagnetic fields by way of health protection. This device has been tested and meets the ICNIRP exposure guidelines and the European Standard EN 62311 SAR is measured with this device at a separation of 20cm to the body, while transmitting at the highest certified output power level in all frequency bands of this device. Carry this device at least 20cm away from your body to ensure exposure levels remain at or below the as-tested levels.

For class 2 device (supporting WLAN 5GHz: 5150-5350 MHz)

The device is restricted to indoor use only when operating in the 5150 to 5350 MHz frequency range.

### **Safety**

This equipment is designed with the utmost care for the safety of those who install and use it. However, special attention must be paid to the dangers of electric shock and static electricity when working with electrical equipment. All guidelines of this and of the computer manufacture must therefore be allowed at all times to ensure the safe use of the equipment.

### **EU Countries Intended for Use**

The ETSI version of this device is intended for home and office use in Austria, Belgium, Bulgaria, Cyprus, Czech, Denmark, Estonia, Finland, France, Germany, Greece, Hungary, Ireland, Italy, Latvia, Lithuania, Luxembourg, Malta, Netherlands, Poland, Portugal, Romania, Slovakia, Slovenia, Spain, Sweden, Turkey, and United Kingdom. The ETSI version of this device is also authorized for use in EFTA member states: Iceland, Liechtenstein, Norway, and Switzerland.

### **EU Countries Not Intended for Use**

None

## EU Declaration of Conformity

- English:** This equipment is in compliance with the essential requirements and other relevant provisions of Directive 2014/53/EU, 2014/35/EU.
- Français:** Cet équipement est conforme aux exigences essentielles et autres dispositions de la directive 2014/53/EU, 2014/35/EU.
- Čeština:** Toto zařízení je v souladu se základními požadavky a ostatními příslušnými ustanoveními směrnic 2014/53/EU, 2014/35/EU.
- Polski:** Urządzenie jest zgodne z ogólnymi wymaganiami oraz szczególnymi warunkami określonymi Dyrektywą UE 2014/53/EU, 2014/35/EU.
- Română:** Acest echipament este în conformitate cu cerințele esențiale și alte prevederi relevante ale Directivei 2014/53/UE, 2014/35/UE.
- Русский:** Это оборудование соответствует основным требованиям и положениям Директивы 2014/53/EU, 2014/35/EU.
- Magyar:** Ez a berendezés megfelel az alapvető követelményeknek és más vonatkozó irányelveknek (2014/53/EU, 2014/35/EU).
- Türkçe:** Bu cihaz 2014/53/EU, 2014/35/EU direktifleri zorunlu istekler ve diğer hükümlerle ile uyumludur.
- Українська:** Обладнання відповідає вимогам і умовам директиви 2014/53/EU, 2014/35/EU.
- Slovenčina:** Toto zariadenie spĺňa základné požiadavky a ďalšie príslušné ustanovenia smerníc 2014/53/EU, 2014/35/EU.
- Deutsch:** Dieses Gerät erfüllt die Voraussetzungen gemäß den Richtlinien 2014/53/EU, 2014/35/EU.
- Español:** El presente equipo cumple los requisitos esenciales de la Directiva 2014/53/EU, 2014/35/EU.
- Italiano:** Questo apparecchio è conforme ai requisiti essenziali e alle altre disposizioni applicabili della Direttiva 2014/53/EU, 2014/35/UE.
- Nederlands:** Dit apparaat voldoet aan de essentiële eisen en andere van toepassing zijnde bepalingen van richtlijn 2014/53/EU, 2014/35/EU.
- Português:** Este equipamento cumpre os requisitos essenciais da Directiva 2014/53/EU, 2014/35/EU.
- Norsk:** Dette utstyret er i samsvar med de viktigste kravene og andre relevante regler i Direktiv 2014/53/EU, 2014/35/EU.
- Svenska:** Denna utrustning är i överensstämmelse med de väsentliga kraven och övriga relevanta bestämmelser i direktiv 2014/53/EU, 2014/35/EU.
- Dansk:** Dette udstyr er i overensstemmelse med de væsentligste krav og andre relevante forordninger i direktiv 2014/53/EU, 2014/35/EU.
- suomen kieli:** Tämä laite täyttää direktiivien 2014/53/EU, 2014/35/EU. oleelliset vaatimukset ja muut asiaankuuluvat määräykset.

FOR USE IN 



---

### WEEE Directive & Product Disposal



At the end of its serviceable life, this product should not be treated as household or general waste. It should be handed over to the applicable collection point for the recycling of electrical and electronic equipment, or returned to the supplier for disposal.



## Declaration of Conformity

We, Edimax Technology Co., Ltd., declare under our sole responsibility, that the equipment described below complies with the requirements of the European Radio Equipment directives.

**Equipment:** AX3000 Dual band PCI-E Network Adapter  
**Model No.:** EW-7833AXP

The following European standards for essential requirements have been followed:

### Directives 2014/53/EU

Spectrum : EN 300 328 V2.1.1 (2016-11)  
EN 301 893 V2.1.1 (2017-05)  
EN 300 400 V2.1.1 (2017-03)

EMC : EN 55032:2015+AC:2016  
EN 55035:2017  
EN 301 489-1 V2.1.1 (2017-02)  
EN 301 489-17 V3.1.1 (2017-02)

EMF : EN 62311:2008

Safety(LVD) : LVD-EN 62368-1:2014+A11:2017

Edimax Technology Europe B.V.  
Fijenhof 2,  
5652 AE Eindhoven,  
The Netherlands

a company of :  
Edimax Technology Co., Ltd.  
No. 278, Xinhua 1st Rd.,  
Neihu Dist., Taipei City,  
Taiwan

### Signature:

Printed Name: David Huang  
Title: Director



Date of Signature: Dec., 2019

Signature:

Printed Name:

Albert Chang

Title:

Director

Edimax Technology Co., Ltd.