

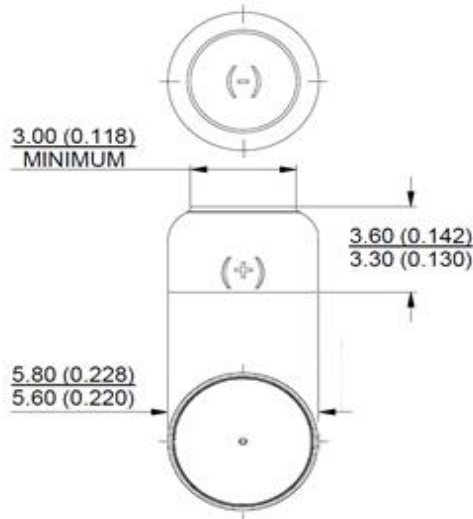
ENERGIZER 10 size - **Mercury Free**

**ZnAir**



**Industry Standard Dimensions**

mm (inches)

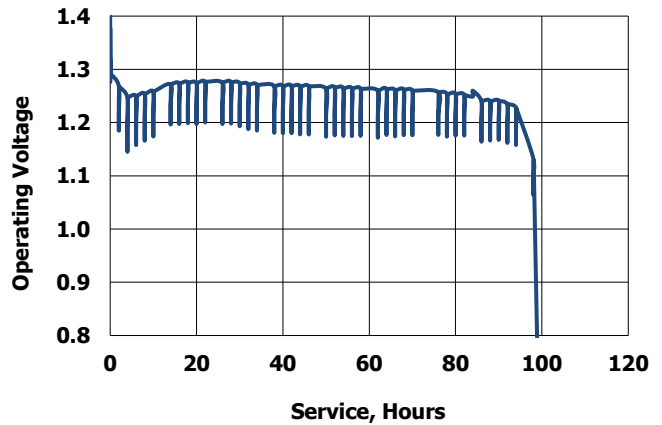


**General Information**

<b>Chemical System:</b>	Zinc Air (Zn/O <sub>2</sub> )
<b>Tab Color:</b>	Yellow
<b>Designation:</b>	ANSI-7005ZD, IEC-PR70
<b>Nominal Voltage:</b>	1.4 Volts
<b>Typical Capacity:</b>	92 mAh (to 1.05 volts) (IEC-STD at 5/1 at 21°C)
<b>Typical Weight:</b>	0.32 grams (0.01 oz.)
<b>Typical Volume:</b>	0.08 cubic centimeters (0.005 cubic inch)

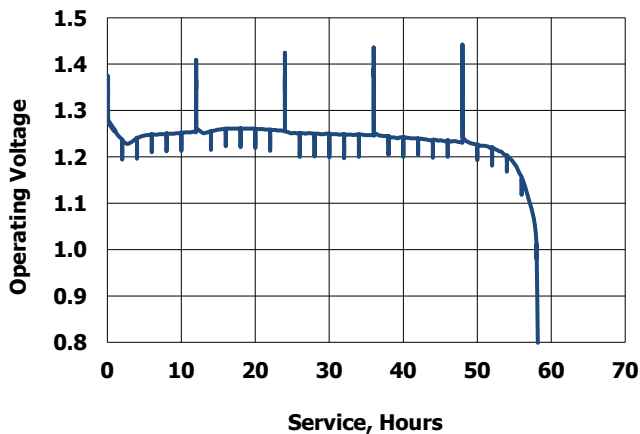
**Typical Discharge Characteristics**

**IEC Industry Standards / Hearing Aid Standard**  
(5/1 mA .1S/1H59M 59.9S 12H at 21C)



**Typical Discharge Characteristics**

**ANSI/IEC Industry Standards / Hearing Aid High Drain**  
(5/1.5 mA .1S/1H59M 59.9S 12H at 21C)



**Important Notice**

This datasheet contains typical information specific to products manufactured at the time of its publication.  
**Contents herein do not constitute a warranty and are for reference only.**