

SHINYBOW™

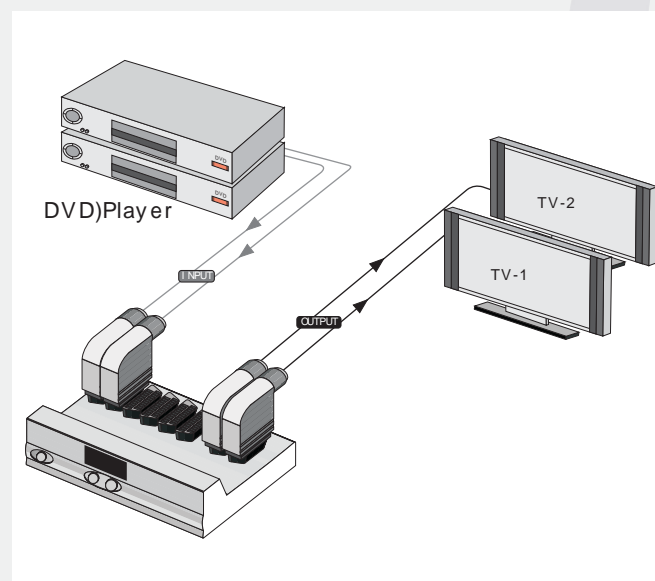
4:2 , 6:2 SCART SWITCHERS

■ SB-5510 SCART SWITCHER 4:2

■ SB-5520 SCART MATRIX SWITCHER 4:2

■ SB-5525 SCART MATRIX SWITCHER 6:2

SB-5525 SCART SWITCHER 6:2



SB-5510, SB-5520 and SB-5525 are SCART RGB/S-Video (Y/C)/ Composite Video/ Stereo Audio switching products. They support 4 or 6 individual inputs with 2 individual outputs. The matrix function of SB-5520 and SB-5525 can route any input and output to each other. They completely eliminate the need to constantly move around SCART input and output cables. They are ideally suitable for High TV applications. Control is provided via front pressed buttons with LED readout or IR remote controller.

FEATURES

- Support SCART Switcher
 - SB-5510: Input: 4x SCART
Output: 2x SCART
 - SB-5520 (Matrix): Input: 4x SCART
Output: 2x SCART
 - SB-5525 (Matrix): Input: 6x SCART
Output: 2x SCART
- SCART Group input/output included
 - RGB
 - S-Video (Y/C)
 - Composite Video
 - Stereo Audio (AR, AL)
- Refresh: for HDTV 408p, 576p, 720p, 1080i59, 1080i60
- 1 input for external DC power connection on the rear panel
- 1 input status with LED display
- 1 x ON/OFF Power switch

SPECIFICATIONS

- Type of Switcher: 4/6 x 2 SCART Switcher
- Type of Signal: SCART connectors
- Video Bandwidth: 110 MHz, -3dB (G=+2)
- High Speed and fast settling on 5V-5525
- Outstanding load drive capability-5525
- Low power of 4.4 mA/Amplifier-5525
- Scan rates accepted: 50Hz or 60Hz
- Auto Scan 16:9 or 4:3 monitor screen
- Support Lower power consumed full load under 650/400mA
- Controls: IR remote controller, front pushbuttons with LED readout
- Safety approvals: CE, FCC, RoHS(2002/95/EC)
- Dimensions: 8" x 5" x 1.5"
- Power Supply: DC12V / 1.25mA

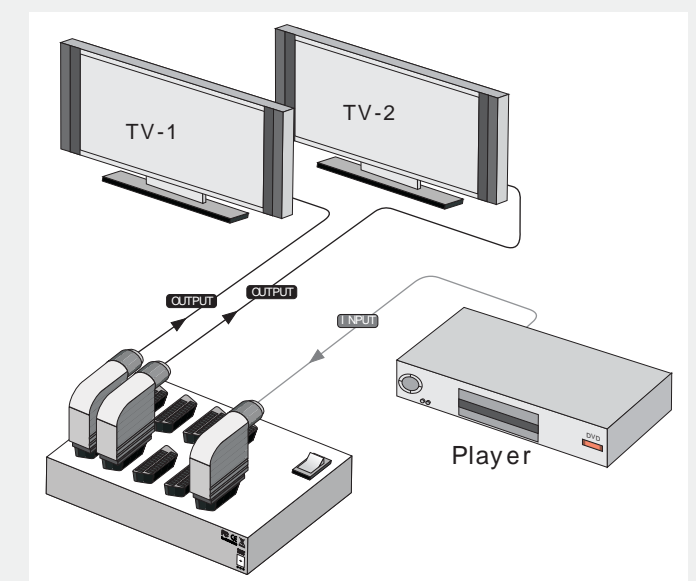
SHINYBOW™

1:4 , 1:8 SCART DISTRIBUTION AMPLIFIERS

■ SB-3715 SCART DISTRIBUTION AMPLIFIER 1:4

■ SB-3720 SCART DISTRIBUTION AMPLIFIER 1:8

SB-3720 SCART DISTRIBUTION AMPLIFIER 1:8



SB-3715 and SB-3720 are 1 input to 4 or 8 outputs SCART Distribution Amplifiers. They distribute all SCART Series of signals included RGB, S-Video (Y/C), Composite Video and Stereo Audio (AR/AL). The products provide multiple SCART outputs that are identical to the source signal.

FEATURES

- Support SCART Distribution Amplifier
 - Input: 1x SCART
 - Output: 4/8x SCART
- SCART Group input/output included
 - RGB
 - S-Video (Y/C)
 - Composite Video
 - Stereo Audio (AR, AL)
- Suitable for TV or High resolution HDTV displays
- 1 input for external DC power connection on the rear panel
- 1 input status with LED display
- 1 x ON/OFF Power switch

SPECIFICATIONS

- Type of Amplifier: 1x 4/8 SCART Distribution Amplifier
- Type of Signal: SCART connectors
- Video Bandwidth: 380 MHz (13dB), 200 mVp-p
- Auto Scan 4:3 and 16:9 Screen
- Complete solution. Buffered inputs.
- Low all hostile crosstalk: -83dB @5Mhz
- Support Lower Power consumed full load 450/650mA
- Controls: Power with LED readout
- Safety approvals: CE, FCC, RoHS(2002/95/EC)
- Dimensions: 5.8" x 2.65" x 0.8" (7.9" x 5.5" x 0.9")
- Power Supply: DC12V / 0.66mA